



# NAV340-3232

NAV3xx

2D LIDAR SENSORS

**SICK**  
Sensor Intelligence.



## Ordering information

Type	Part no.
NAV340-3232	1060821

Other models and accessories → [www.sick.com/NAV3xx](http://www.sick.com/NAV3xx)



## Detailed technical data

## Features

<b>Application</b>	Indoor
<b>Light source</b>	905 nm
<b>Laser class</b>	1 (IEC 60825-1:2014, EN 60825-1:2014)
<b>Aperture angle</b>	Horizontal 360°
<b>Scanning frequency</b>	8 Hz, ± 5 %
<b>Angular resolution</b>	0.25°
<b>Working range</b>	0.5 m ... 250 m (0.5 m ... 70 m on reflectors)
<b>Scanning range</b>	At 10% remission factor 35 m At 90% remission factor 100 m

## Mechanics/electronics

<b>Connection type</b>	3 x M12 male connector/female connector
<b>Supply voltage</b>	24 V DC, ± 15 %
<b>Power consumption</b>	36 W
<b>Housing</b>	Aluminum die cast
<b>Housing color</b>	Light blue (RAL 5012)
<b>Enclosure rating</b>	IP65
<b>Protection class</b>	III
<b>Weight</b>	2.4 kg
<b>Dimensions (L x W x H)</b>	115 mm x 120.5 mm x 222 mm
<b>MTBF</b>	86 years

## Safety-related parameters

<b>MTTF<sub>D</sub></b>	> 100 years
-------------------------	-------------

## Performance

<b>Detectable object shape</b>	Almost any
<b>Systematic error</b>	± 10 mm (RDI) <sup>1)</sup> ± 15 mm (Contour) <sup>1)</sup>
<b>Statistical error</b>	15 mm (Contour) <sup>1)</sup>

<sup>1)</sup> Typical value; actual value depends on environmental conditions.

## Interfaces

<b>Ethernet</b>	✓, TCP/IP, RS-232
Data transmission rate	100 Mbit/s 19.2 kBaud ... 115 kBaud
<b>Digital outputs</b>	1 (digital)
<b>Optical indicators</b>	4 LEDs (status displays)

## Ambient data

<b>Ambient operating temperature</b>	0 °C ... +50 °C
<b>Storage temperature</b>	-20 °C ... +80 °C
<b>Permissible relative humidity</b>	85 %, Non-condensing
<b>Reflector marks (recommended)</b>	Stripes: width ≥ 80 mm

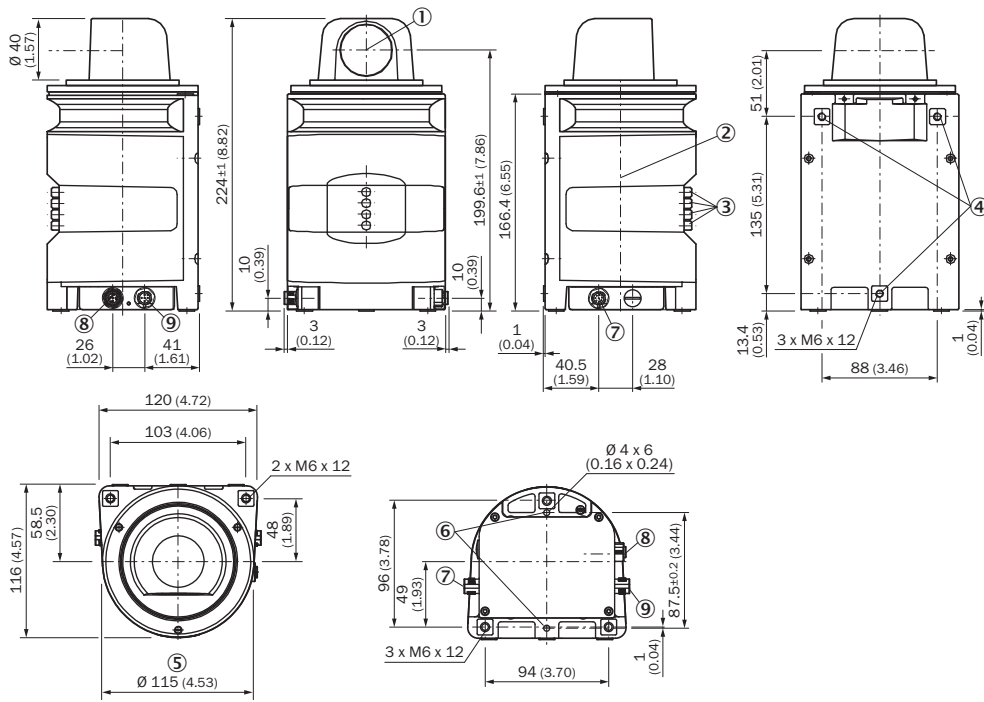
## General notes

<b>Note on use</b>	The sensor does not constitute a safety component as defined by relevant legislation on machine safety.
--------------------	---

## Classifications

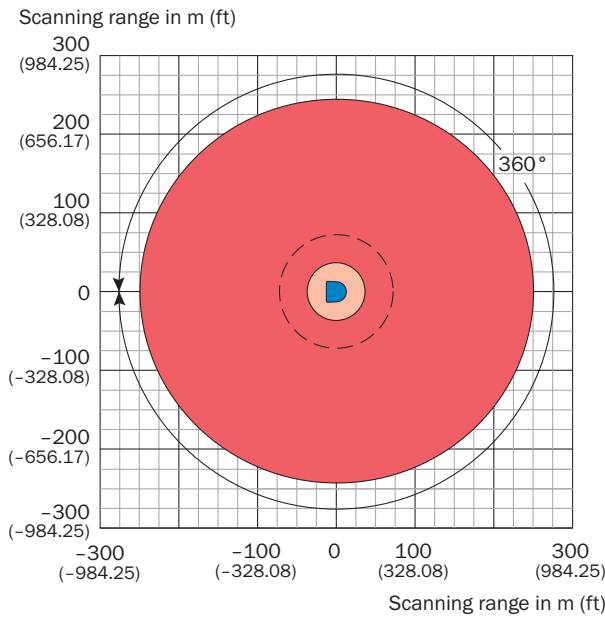
<b>ECLASS 5.0</b>	27270990
<b>ECLASS 5.1.4</b>	27270990
<b>ECLASS 6.0</b>	27270913
<b>ECLASS 6.2</b>	27270913
<b>ECLASS 7.0</b>	27270913
<b>ECLASS 8.0</b>	27270913
<b>ECLASS 8.1</b>	27270913
<b>ECLASS 9.0</b>	27270913
<b>ECLASS 10.0</b>	27270913
<b>ECLASS 11.0</b>	27270913
<b>ECLASS 12.0</b>	27270913
<b>ETIM 5.0</b>	EC002550
<b>ETIM 6.0</b>	EC002550
<b>ETIM 7.0</b>	EC002550
<b>ETIM 8.0</b>	EC002550
<b>UNSPSC 16.0901</b>	41111615

### Dimensional drawing (Dimensions in mm (inch))



- ① Optical axis
- ② Zero level
- ③ LED (from top: yellow, yellow, green, red)
- ④ Mounting hole M6 x 12
- ⑤ Rotating diameter
- ⑥ Aligning pin
- ⑦ RS-232 connection (M12 x 8, male connector)
- ⑧ Ethernet connection (M12 x 4, female connector)
- ⑨ Power supply connection (M12 x 5, male connector)




### Working range diagram




- Scanning range max. 250 m (820.21 ft)
- Scanning range for objects up to 10 % remission 35 m (114.83 ft)
- Scanning range on reflector 70 m (229.66 ft)

### Recommended accessories

Other models and accessories → [www.sick.com/NAV3xx](http://www.sick.com/NAV3xx)

	Brief description	Type	Part no.
<b>Plug connectors and cables</b>			
	<ul style="list-style-type: none"> <li>• <b>Connection type head A:</b> Male connector, M12, 4-pin, straight, D-coded</li> <li>• <b>Connection type head B:</b> Male connector, RJ45, 4-pin, straight</li> <li>• <b>Signal type:</b> Ethernet, PROFINET</li> <li>• <b>Cable:</b> 5 m, 4-wire, PUR, halogen-free</li> <li>• <b>Description:</b> Ethernet, PROFINET, shielded</li> <li>• <b>Application:</b> Drag chain operation, Zones with oils and lubricants</li> </ul>	YM2D24-050PN1MRJA4	2106184
<b>Reflectors</b>			
	Reflective tape "Diamond Grade", self-adhesive, sheet, 749 mm x 914 mm, self-adhesive	REF-DG	5320565
<b>Others</b>			
	<ul style="list-style-type: none"> <li>• <b>Connection type head A:</b> Female connector, M12, 5-pin, straight</li> <li>• <b>Connection type head B:</b> Flying leads</li> <li>• <b>Signal type:</b> Sensor/actuator cable</li> <li>• <b>Cable:</b> 5 m, 5-wire, PUR, halogen-free</li> <li>• <b>Description:</b> Sensor/actuator cable, shielded</li> <li>• <b>Connection systems:</b> Flying leads</li> <li>• <b>Application:</b> Zones with oils and lubricants, Drag chain operation</li> </ul>	DOL-1205-G05MAC25	6043440

	Brief description	Type	Part no.
	<ul style="list-style-type: none"> <li>• <b>Connection type head A:</b> Female connector, M12, 8-pin, straight, A-coded</li> <li>• <b>Connection type head B:</b> Flying leads</li> <li>• <b>Signal type:</b> Sensor/actuator cable</li> <li>• <b>Cable:</b> 5 m, 8-wire, PUR, halogen-free</li> <li>• <b>Description:</b> Sensor/actuator cable, shielded</li> <li>• <b>Application:</b> Zones with oils and lubricants, Drag chain operation</li> </ul>	YF2A28-050UA6XLEAX	2095835

Recommended services

Additional services → [www.sick.com/NAV3xx](http://www.sick.com/NAV3xx)

	Type	Part no.
Commissioning		
<ul style="list-style-type: none"> <li>• <b>Product area:</b> 2D LiDAR sensors, 3D LiDAR sensors</li> <li>• <b>Range of services:</b> Inspection of connection, fine adjustment, configuration of monitored areas, configuration and optimization of parameters as well as tests, Setup of previously defined functions of basic settings, parameters of field application, filters for raw data output and product-specific configuration</li> <li>• <b>Travel expenses:</b> The prices do not include travel costs such as hotel, flight, travel time and expenses.</li> <li>• <b>Duration:</b> Additional work will be invoiced separately</li> </ul>	Commissioning LiDAR sensors	1680672
Maintenance		
<ul style="list-style-type: none"> <li>• <b>Product area:</b> 2D LiDAR sensors, 3D LiDAR sensors</li> <li>• <b>Range of services:</b> Inspection, analysis and restoring of defined functions, Inspection and adaptation of basic settings, parameters of field application, filters for raw data output, and product-specific configuration</li> <li>• <b>Duration:</b> Additional work will be invoiced separately</li> <li>• <b>Travel expenses:</b> The prices do not include travel costs such as hotel, flight, travel time and expenses.</li> </ul>	Maintenance of LiDAR sensors	1682593
Extended warranty		
<ul style="list-style-type: none"> <li>• <b>Product area:</b> Identification solutions, machine vision, Detection and ranging solutions, safety camera sensors, Safety laser scanners, Safety radar sensors</li> <li>• <b>Range of services:</b> The services correspond to the scope of the statutory manufacturer warranty (SICK general terms of delivery).</li> <li>• <b>Duration:</b> Five-year warranty from delivery date.</li> </ul>	Extended warranty for a total of five years from delivery date	1680671

## SICK AT A GLANCE

SICK is one of the leading manufacturers of intelligent sensors and sensor solutions for industrial applications. A unique range of products and services creates the perfect basis for controlling processes securely and efficiently, protecting individuals from accidents and preventing damage to the environment.

We have extensive experience in a wide range of industries and understand their processes and requirements. With intelligent sensors, we can deliver exactly what our customers need. In application centers in Europe, Asia and North America, system solutions are tested and optimized in accordance with customer specifications. All this makes us a reliable supplier and development partner.

Comprehensive services complete our offering: SICK LifeTime Services provide support throughout the machine life cycle and ensure safety and productivity.

For us, that is “Sensor Intelligence.”

## WORLDWIDE PRESENCE:

Contacts and other locations –[www.sick.com](http://www.sick.com)