

**ZED 41/41
41/41 ZED**

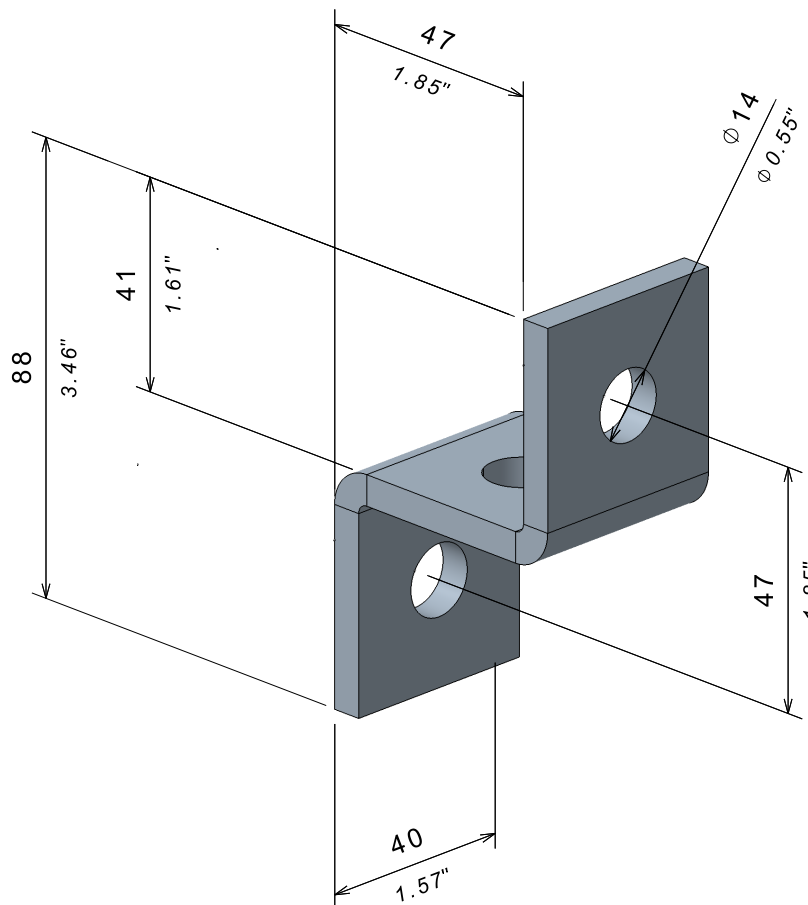
Reference(s) : 595 323


1. RANGE

Designation	Code	Poids / Weight (Kg) (lb)		Epaisseur / Thickness (mm) (inch)		Matière / Material	Norme / Standard	Finition / Coating	Classe de résistance contre la corrosion/ Resistance class against corrosion
									Class 6 according to CEI 61537
ZED41/41 GC	595 323	0.230	0.508	6	0.24"	S235JR	EN 10 025-2	GC / HDG	

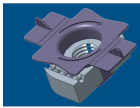
2. DIMENSIONS (mm/inch)

ALL HOLES Ø14 (0.55")



ZED 41/41
41/41 ZED

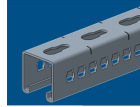
Reference(s) : 595 323



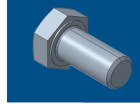
E41 AA



RM

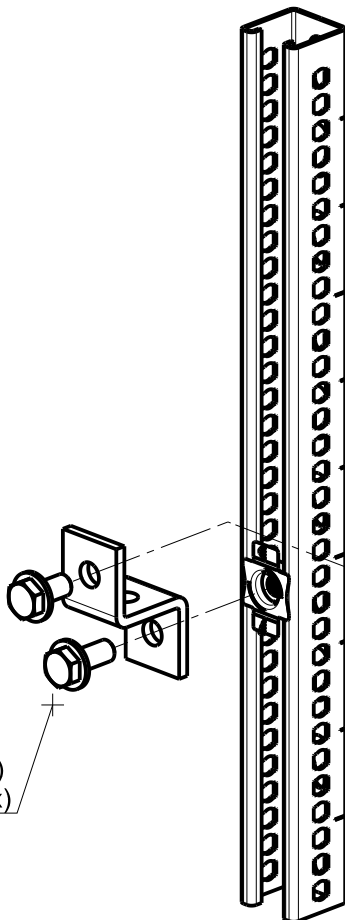
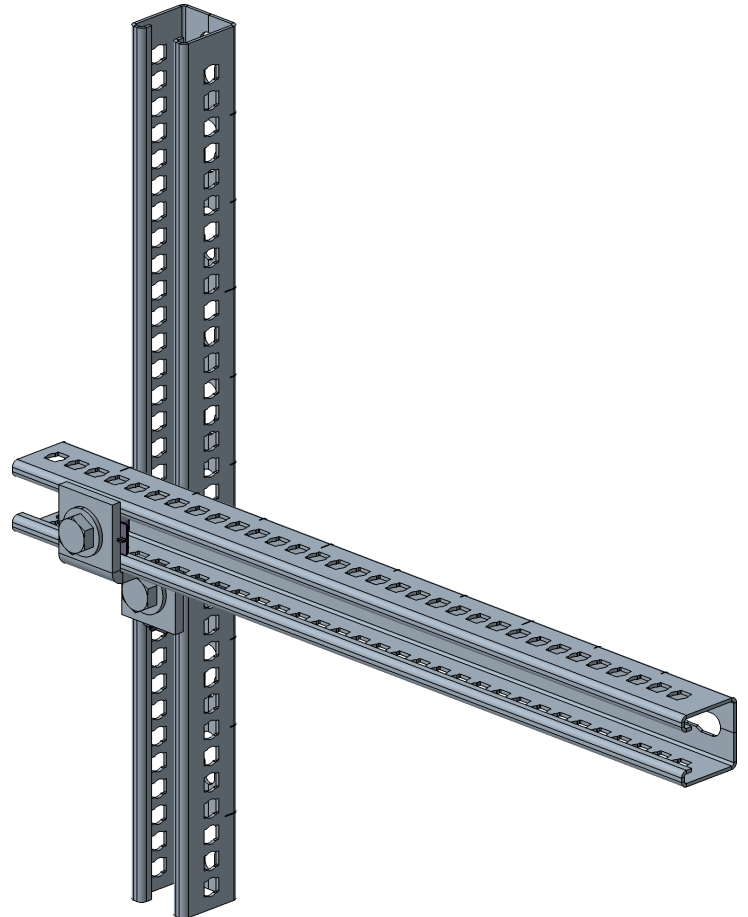


RE41SP



VHM

3. INSTALLATION



L25mm (min)
L45mm (max)