

COUDE 90 P31 FB H50 50 à 600
Flat bend P31 50x50 to 600

GC
HDG

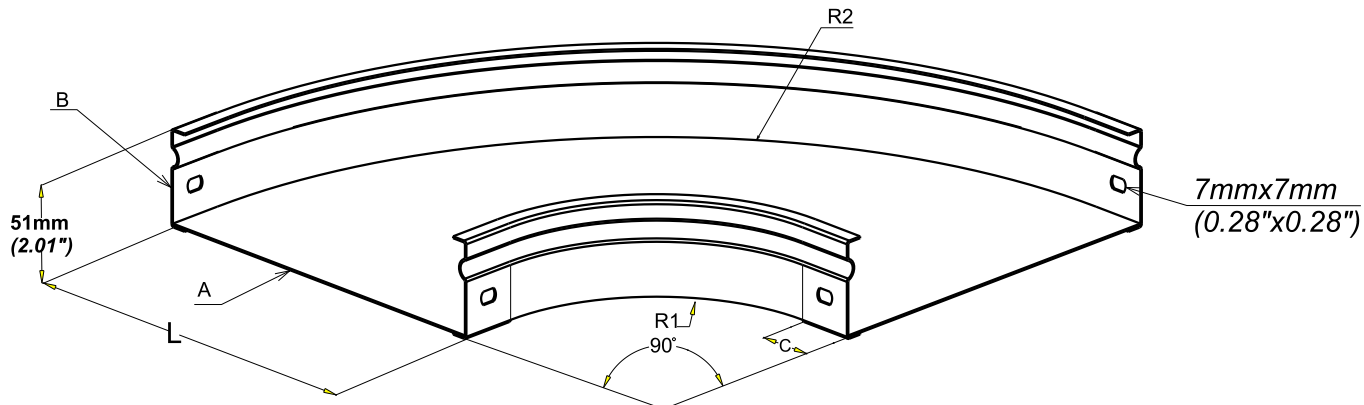


CABLE
MANAGEMENT

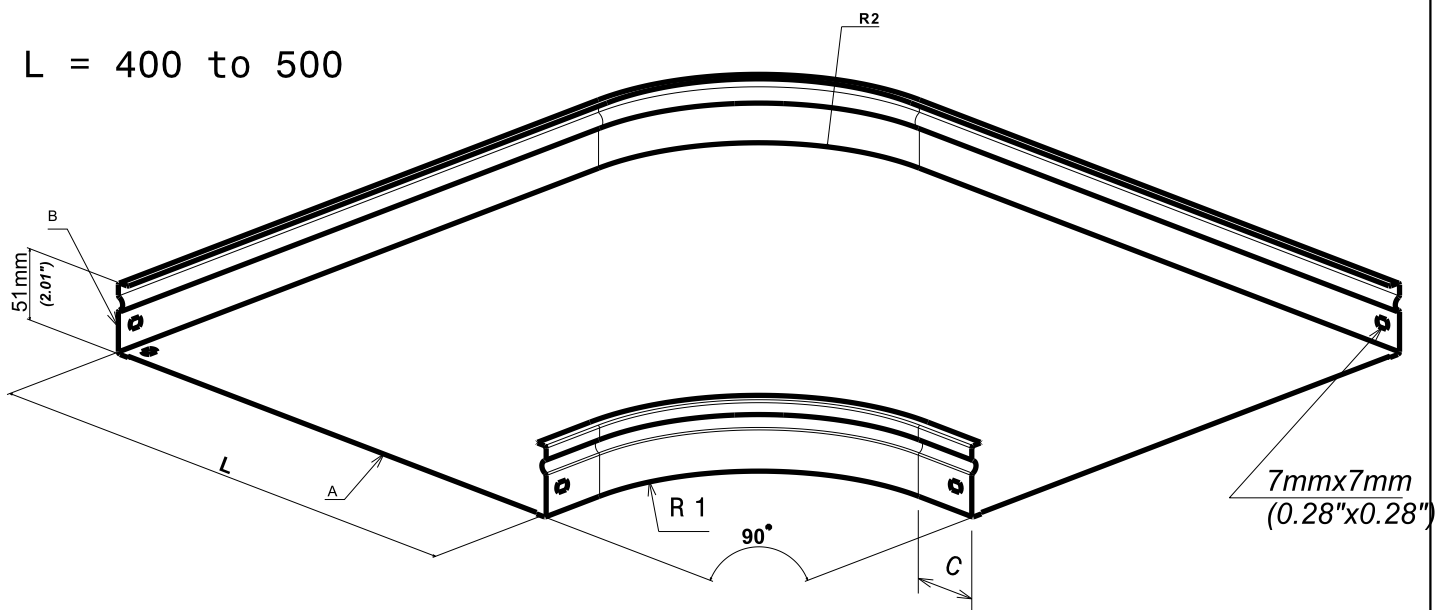
FT0526-3

10 16

L = 50 to 300



L = 400 to 500



Material	Standard	Finishes	Standard
S235 JR	EN 10130	HDG	Class 6 according to CEI 61537

REF	CODE	L / L (mm) (inch)	A / A (mm) (inch)	B / B (mm) (inch)	C / C (mm) (inch)	R1 / R1 (mm) (inch)	R2 / R2 (mm) (inch)
P31 FB 50x50	342 914	50 (1.97")	0.8 (0.032")	1 (0.039")	30 (1.18")	20 (1.78")	/ /
P31 FB 50x75	342 789	75 (2.92")	0.8 (0.032")	1 (0.039")	30 (1.18")	100 (3.94")	/ /
P31 FB 50x100	342 915	100 (3.94")	0.8 (0.032")	1 (0.039")	30 (1.18")	100 (3.94")	/ /
P31 FB 50x150	342 916	150 (5.91")	0.8 (0.032")	1 (0.039")	30 (1.18")	100 (3.94")	/ /
P31 FB 50x200	342 917	200 (5.91")	0.8 (0.032")	1 (0.039")	30 (1.18")	100 (3.94")	/ /
P31 FB 50x300	342 918	300 (7.87")	1 (0.039")	1 (0.039")	30 (1.18")	100 (3.94")	/ /
P31 FB 50x400	342 919	400 (11.81")	1 (0.039")	1 (0.039")	50 (1.97")	150 (5.91")	150 (5.91")
P31 FB 50x500	342 920	500 (19.69")	1 (0.039")	1 (0.039")	50 (1.97")	150 (5.91")	150 (5.91")
P31 FB 50x600	342 921	600 (23.62")	1 (0.039")	1 (0.039")	50 (1.97")	150 (5.91")	150 (5.91")

Propriété exclusive de LEGRAND, ne peut être ni copié, ni transmis à des tiers sans autorisation écrite.

Exclusive property of LEGRAND shouldn't be reproduced or transmitted to any people without written authorization