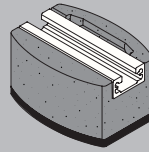


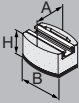
Soporte para azotea
 Support lesté
 Rooftop support
 Beschwerungsstein
 Suporte para cobertura
 Supporto cemento per tetti



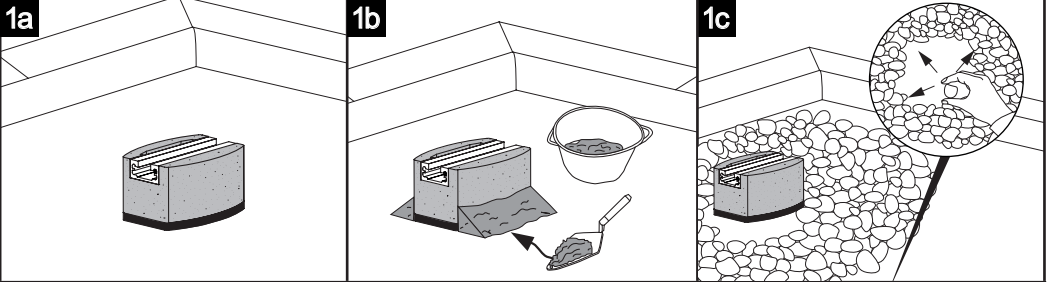
Montaje
 Montage
 Assembly
 Montage
 Montagem
 Montaggio



IMD 60155.1

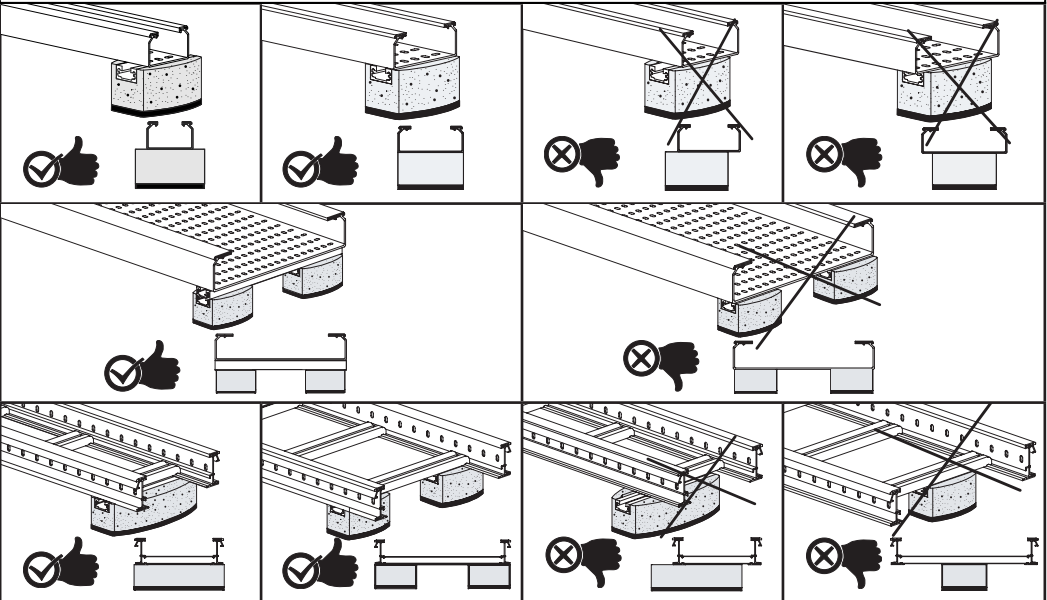


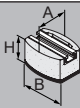
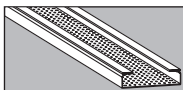
	mm			Kg
	A	B	H	
60155-48	110	150	85	2,2
60305-48	150	300	85	6,1



2

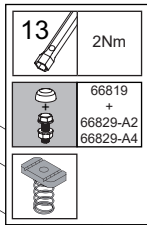
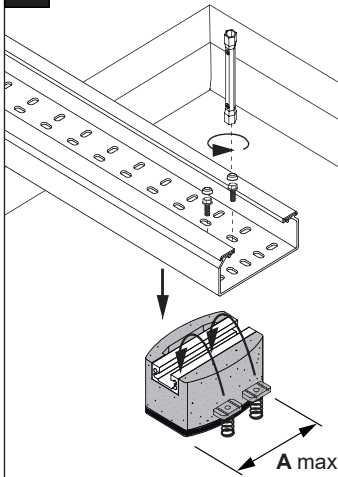
	66	67	
	U23X U48X	U48X	U23X
T	60°C	90°C	<p>Pg.4</p>
dmax	1m	0,5m	



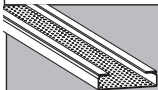
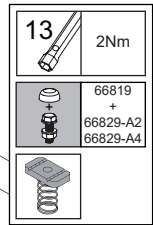
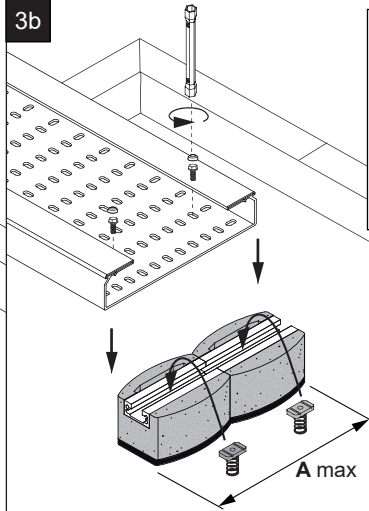


	mm			Kg
	A	B	H	
60155-48	110	150	85	2,2
60305-48	150	300	85	6,1

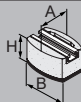
3a



3b

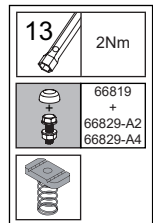
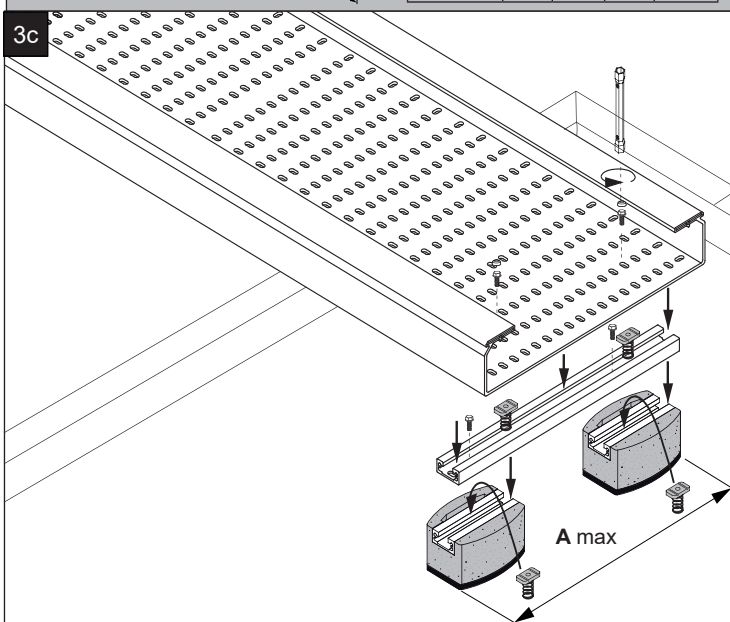


60202-48



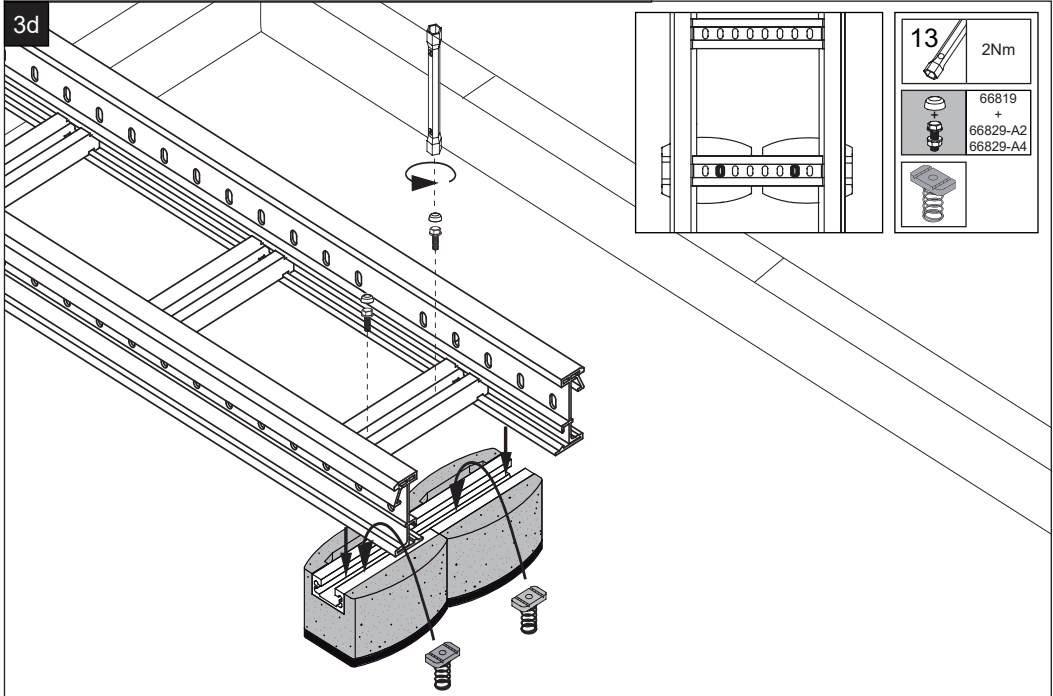
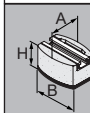
	mm			Kg
	A	B	H	
60155-48	110	150	85	2,2
60305-48	150	300	85	6,1

3c




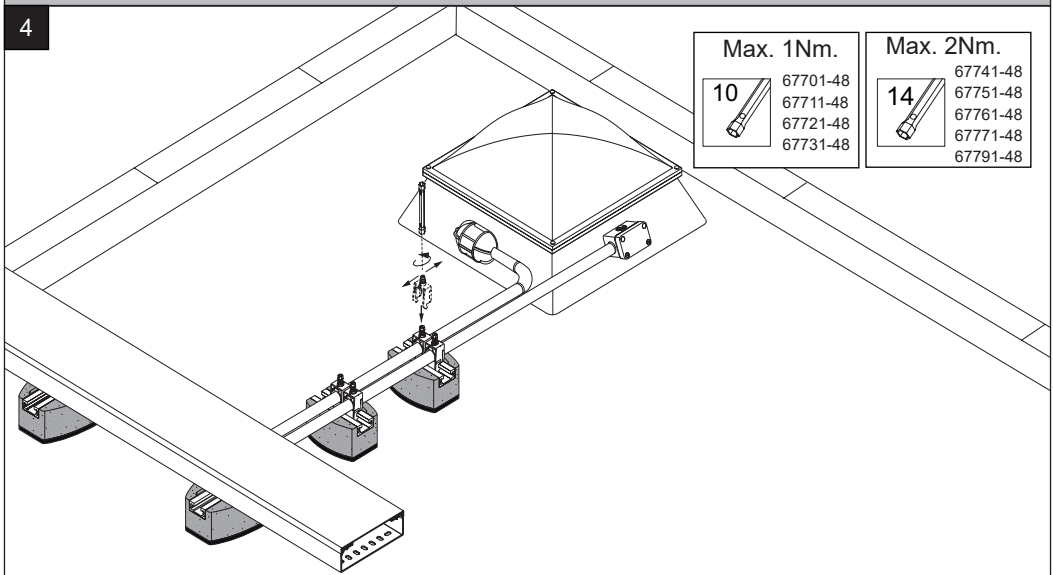


	mm			Kg
	A	B	H	
60155-48	110	150	85	2,2
60305-48	150	300	85	6,1

	mm			Kg
	A	B	H	
60155-48	110	150	85	2,2
60305-48	150	300	85	6,1

67701-48	Ø8 / 12mm	67731-48	Ø22 / 28mm	67761-48	Ø40 / 46mm
67711-48	Ø12 / 16mm	67741-48	Ø28 / 34mm	67771-48	Ø46 / 52mm
67721-48	Ø16 / 22mm	67751-48	Ø34 / 40mm	67791-48	Ø58 / 64mm



H:85mm		H:135mm																									
<p>67200-04</p>	<table border="1"> <caption>SWL (kg/m) vs L (m) for 67200-04 H:85mm</caption> <tr><th>L (m)</th><th>SWL (kg/m)</th></tr> <tr><td>1</td><td>100</td></tr> <tr><td>1.5</td><td>40</td></tr> <tr><td>2</td><td>25</td></tr> <tr><td>2.5</td><td>15</td></tr> <tr><td>3</td><td>10</td></tr> </table>	L (m)	SWL (kg/m)	1	100	1.5	40	2	25	2.5	15	3	10	<p>67220-04</p>	<table border="1"> <caption>SWL (kg/m) vs L (m) for 67220-04 H:135mm</caption> <tr><th>L (m)</th><th>SWL (kg/m)</th></tr> <tr><td>1</td><td>100</td></tr> <tr><td>1.5</td><td>95</td></tr> <tr><td>2</td><td>55</td></tr> <tr><td>2.5</td><td>35</td></tr> <tr><td>3</td><td>25</td></tr> </table>	L (m)	SWL (kg/m)	1	100	1.5	95	2	55	2.5	35	3	25
L (m)	SWL (kg/m)																										
1	100																										
1.5	40																										
2	25																										
2.5	15																										
3	10																										
L (m)	SWL (kg/m)																										
1	100																										
1.5	95																										
2	55																										
2.5	35																										
3	25																										
<p>67300-04</p>	<table border="1"> <caption>SWL (kg/m) vs L (m) for 67300-04 H:85mm</caption> <tr><th>L (m)</th><th>SWL (kg/m)</th></tr> <tr><td>1</td><td>100</td></tr> <tr><td>1.5</td><td>40</td></tr> <tr><td>2</td><td>25</td></tr> <tr><td>2.5</td><td>15</td></tr> <tr><td>3</td><td>10</td></tr> </table>	L (m)	SWL (kg/m)	1	100	1.5	40	2	25	2.5	15	3	10	<p>67320-04</p>	<table border="1"> <caption>SWL (kg/m) vs L (m) for 67320-04 H:135mm</caption> <tr><th>L (m)</th><th>SWL (kg/m)</th></tr> <tr><td>1</td><td>100</td></tr> <tr><td>1.5</td><td>95</td></tr> <tr><td>2</td><td>55</td></tr> <tr><td>2.5</td><td>35</td></tr> <tr><td>3</td><td>25</td></tr> </table>	L (m)	SWL (kg/m)	1	100	1.5	95	2	55	2.5	35	3	25
L (m)	SWL (kg/m)																										
1	100																										
1.5	40																										
2	25																										
2.5	15																										
3	10																										
L (m)	SWL (kg/m)																										
1	100																										
1.5	95																										
2	55																										
2.5	35																										
3	25																										
<p>67400-04</p>	<table border="1"> <caption>SWL (kg/m) vs L (m) for 67400-04 H:85mm</caption> <tr><th>L (m)</th><th>SWL (kg/m)</th></tr> <tr><td>1</td><td>100</td></tr> <tr><td>1.5</td><td>40</td></tr> <tr><td>2</td><td>25</td></tr> <tr><td>2.5</td><td>15</td></tr> <tr><td>3</td><td>10</td></tr> </table>	L (m)	SWL (kg/m)	1	100	1.5	40	2	25	2.5	15	3	10	<p>67420-04</p>	<table border="1"> <caption>SWL (kg/m) vs L (m) for 67420-04 H:135mm</caption> <tr><th>L (m)</th><th>SWL (kg/m)</th></tr> <tr><td>1</td><td>100</td></tr> <tr><td>1.5</td><td>95</td></tr> <tr><td>2</td><td>55</td></tr> <tr><td>2.5</td><td>35</td></tr> <tr><td>3</td><td>25</td></tr> </table>	L (m)	SWL (kg/m)	1	100	1.5	95	2	55	2.5	35	3	25
L (m)	SWL (kg/m)																										
1	100																										
1.5	40																										
2	25																										
2.5	15																										
3	10																										
L (m)	SWL (kg/m)																										
1	100																										
1.5	95																										
2	55																										
2.5	35																										
3	25																										
<p>67500-04</p>	<table border="1"> <caption>SWL (kg/m) vs L (m) for 67500-04 H:85mm</caption> <tr><th>L (m)</th><th>SWL (kg/m)</th></tr> <tr><td>1</td><td>100</td></tr> <tr><td>1.5</td><td>50</td></tr> <tr><td>2</td><td>25</td></tr> <tr><td>2.5</td><td>15</td></tr> <tr><td>3</td><td>10</td></tr> </table>	L (m)	SWL (kg/m)	1	100	1.5	50	2	25	2.5	15	3	10	<p>67520-04</p>	<table border="1"> <caption>SWL (kg/m) vs L (m) for 67520-04 H:135mm</caption> <tr><th>L (m)</th><th>SWL (kg/m)</th></tr> <tr><td>1</td><td>100</td></tr> <tr><td>1.5</td><td>95</td></tr> <tr><td>2</td><td>60</td></tr> <tr><td>2.5</td><td>45</td></tr> <tr><td>3</td><td>40</td></tr> </table>	L (m)	SWL (kg/m)	1	100	1.5	95	2	60	2.5	45	3	40
L (m)	SWL (kg/m)																										
1	100																										
1.5	50																										
2	25																										
2.5	15																										
3	10																										
L (m)	SWL (kg/m)																										
1	100																										
1.5	95																										
2	60																										
2.5	45																										
3	40																										
<p>67600-04</p>	<table border="1"> <caption>SWL (kg/m) vs L (m) for 67600-04 H:85mm</caption> <tr><th>L (m)</th><th>SWL (kg/m)</th></tr> <tr><td>1</td><td>100</td></tr> <tr><td>1.5</td><td>50</td></tr> <tr><td>2</td><td>25</td></tr> <tr><td>2.5</td><td>15</td></tr> <tr><td>3</td><td>10</td></tr> </table>	L (m)	SWL (kg/m)	1	100	1.5	50	2	25	2.5	15	3	10	<p>67620-04</p>	<table border="1"> <caption>SWL (kg/m) vs L (m) for 67620-04 H:135mm</caption> <tr><th>L (m)</th><th>SWL (kg/m)</th></tr> <tr><td>1</td><td>100</td></tr> <tr><td>1.5</td><td>95</td></tr> <tr><td>2</td><td>90</td></tr> <tr><td>2.5</td><td>60</td></tr> <tr><td>3</td><td>45</td></tr> </table>	L (m)	SWL (kg/m)	1	100	1.5	95	2	90	2.5	60	3	45
L (m)	SWL (kg/m)																										
1	100																										
1.5	50																										
2	25																										
2.5	15																										
3	10																										
L (m)	SWL (kg/m)																										
1	100																										
1.5	95																										
2	90																										
2.5	60																										
3	45																										