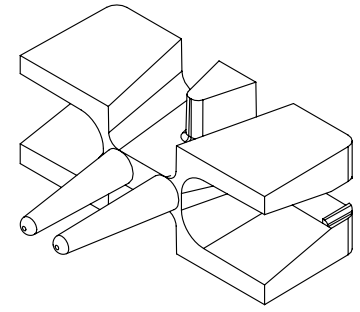
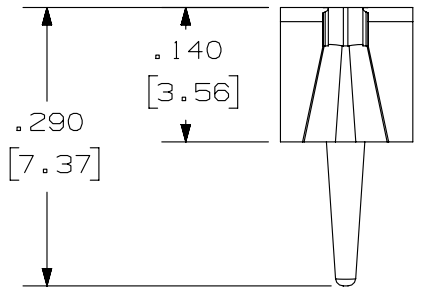
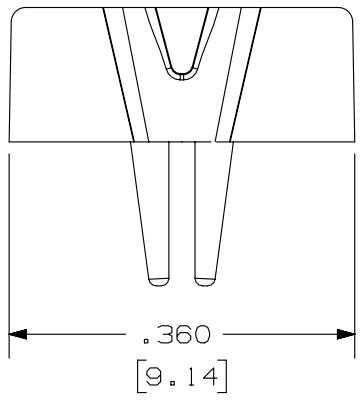
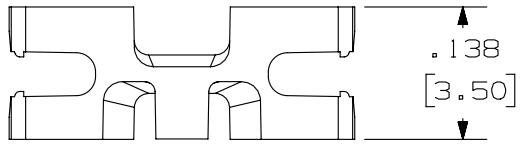


THIS COPY IS PROVIDED ON A RESTRICTED BASIS AND IS NOT TO BE USED IN ANY WAY DETRIMENTAL TO THE INTERESTS OF PANDUIT CORP.

PANDUIT P/N	WEIGHT
MTPCD-C	.017 LB/100 PCS (7.8 g/100 PCS)

- NOTES:
- SEE CURRENT CATALOG FOR ADDITIONAL PART NUMBER SUFFIXES TO INDICATE PACKAGE QUANTITY.
  - DIMENSIONS IN BRACKETS ARE METRIC.



PART NUMBER		MTPCD-C		
TITLE				
TX6 PLUS PLUG CONDUCTOR DIVIDER				
CUSTOMER DRAWING				
ITEM REVISION NAME		M01537BF/13		
DATASET FILE NAME		M01537BF_DC06/00B		
UNLESS OTHERWISE SPECIFIED, DIMENSIONAL TOLERANCES ARE: IN [ mm ]				<b>PANDUIT</b> MATERIAL: PC
.x ± .xx ± .03 [ .8 ]		.xxx ± .010 [ .3 ]		
THIRD ANGLE PROJECTION				DRAWING NUMBER: 01537-06
DRAWN BY	DATE	CHK	SCALE	SIZE
LZ	11-10-04	CEF	NONE	A
SHT 1 OF 1				

REV	DATE	BY	CHK	APR	DESCRIPTION	ECN
1	5/30/14	JSP	REFR	EJH	A. REVISED DRAWING TITLE BLOCK.	01537-06
R	11-10-04	LZ	CEF	CEF	RELEASED TO PRODUCTION	01537-06

D10100DA/14