

Part number
CR KC



Coding pin, for RJ45 plug

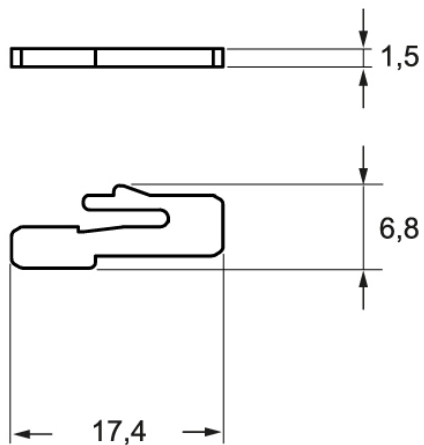


Product description		General ordering information	
Product type	Coding pin	EAN13 code	8015747133159
Specification	For RJ45 Plastic, red	eCl@ss 8.1	27440203
Further technical details		Packaging Information	
Weight	0,18 g	Sub-packaging description	Plastic bag
		Sub-packaging quantity	20 Pcs
		Sub-packaging EAN barcode	8015747133340

Part number
CR KC



Catalogue drawings



Catalogue drawings



Notes

Dimensions shown in mm are not binding and may be changed without notice.