

# RAY10-PZ3EBL

RAY10 Reflex Array

MULTITASK PHOTOELECTRIC SENSORS

**SICK**  
Sensor Intelligence.



Illustration may differ



### Ordering information

| Type         | Part no. |
|--------------|----------|
| RAY10-PZ3EBL | 1100989  |

Other models and accessories → [www.sick.com/RAY10\\_Reflex\\_Array](http://www.sick.com/RAY10_Reflex_Array)

### Detailed technical data

#### Features

|  |  |
|--|--|
| <b>Functional principle</b>                | Photoelectric retro-reflective sensor  |
| <b>Functional principle detail</b>         | Dual lens, Reflex Array  |
| <b>Dimensions (W x H x D)</b>              | 21.5 mm x 36 mm x 37.7 mm  |
| <b>Housing design (light emission)</b>     | Rectangular  |
| <b>Minimum object size</b>                 | 5 mm, position-independent detection within the light array  |
| <b>Detection height</b>                    | 25 mm  |
| <b>Sensing range max.</b>                  | 0 m ... 1.5 m <sup>1)</sup>  |
| <b>Distance of the sensor to reflector</b> | 0.3 m ... 1.5 m <sup>1)</sup>  |
| <b>Type of light</b>                       | Visible red light  |
| <b>Light source</b>                        | PinPoint LED <sup>2)</sup>   |
| <b>Light spot size (distance)</b>          | 37 mm x 12 mm (1 m)  |
| <b>Wave length</b>                         | 635 nm   |
| <b>Adjustment</b>                          | Potentiometer  |
| <b>Special applications</b>                | Detecting transparent objects, Detecting perforated objects, Detecting uneven, shiny objects, Detecting objects with position tolerances, Detecting flat objects |

<sup>1)</sup> Reflector P250F.

<sup>2)</sup> Average service life: 100,000 h at T<sub>J</sub> = +25 °C.

## Mechanics/electronics

|  |  |
|--|--|
| <b>Supply voltage <math>U_B</math></b> | 10 V DC ... 30 V DC <sup>1)</sup>  |
| <b>Ripple</b>                          | < 5 V <sub>pp</sub>  |
| <b>Current consumption</b>             | 30 mA <sup>2)</sup>  |
| <b>Switching output</b>                | PNP  |
| <b>Switching mode</b>                  | Light switching  |
| <b>Signal voltage PNP HIGH/LOW</b>     | Approx. V <sub>S</sub> - 2.5 V / 0 V                                     |
| <b>Signal voltage NPN HIGH/LOW</b>     | Approx. V <sub>S</sub> / < 2.5 V   |
| <b>Output current I<sub>max.</sub></b> | ≤ 100 mA   |
| <b>Response time</b>                   | ≤ 0.5 ms <sup>3)</sup>   |
| <b>Switching frequency</b>             | 1,000 Hz <sup>4)</sup>   |
| <b>Connection type</b>                 | Cable with M8 male connector, 4-pin, 1 m <sup>5)</sup>                   |
| <b>Cable material</b>                  | PVC  |
| <b>Conductor cross section</b>         | 0.13 mm <sup>2</sup>   |
| <b>Cable diameter</b>                  | Ø 3.6 mm   |
| <b>Circuit protection</b>              | A <sup>6)</sup><br>B <sup>7)</sup><br>C <sup>8)</sup><br>D <sup>9)</sup> |
| <b>Protection class</b>                | III  |
| <b>Weight</b>                          | 130 g  |
| <b>Housing material</b>                | Plastic, ABS   |
| <b>Optics material</b>                 | Plastic, PMMA  |
| <b>Enclosure rating</b>                | IP67   |
| <b>Ambient operating temperature</b>   | -40 °C ... +60 °C <sup>10)</sup>   |
| <b>Ambient temperature, storage</b>    | -40 °C ... +70 °C  |
| <b>UL File No.</b>                     | NRKH.E189383 & NRKH7.E189383   |

<sup>1)</sup> Limit values.

<sup>2)</sup> Without load.

<sup>3)</sup> Signal transit time with resistive load in switching mode. Different values possible in COM2 mode.

<sup>4)</sup> With light/dark ratio 1:1 in switching mode. Different values possible in IO-Link mode.

<sup>5)</sup> Do not bend below 0 °C.

<sup>6)</sup> A = V<sub>S</sub> connections reverse-polarity protected.

<sup>7)</sup> B = inputs and output reverse-polarity protected.

<sup>8)</sup> C = interference suppression.

<sup>9)</sup> D = outputs overcurrent and short-circuit protected.

<sup>10)</sup> Avoid condensation on the front screen of the sensor and on the reflector.

## Safety-related parameters

|                                     |           |
|-------------------------------------|-----------|
| <b>MTTF<sub>D</sub></b>             | 634 years |
| <b>DC<sub>avg</sub></b>             | 0 %       |
| <b>T<sub>M</sub> (mission time)</b> | 20 years  |

## Classifications

|                   |          |
|-------------------|----------|
| <b>ECLASS 5.0</b> | 27270902 |
|-------------------|----------|

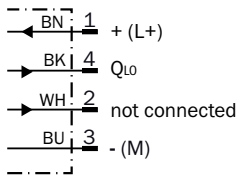
# RAY10-PZ3EBL | RAY10 Reflex Array

MULTITASK PHOTOELECTRIC SENSORS

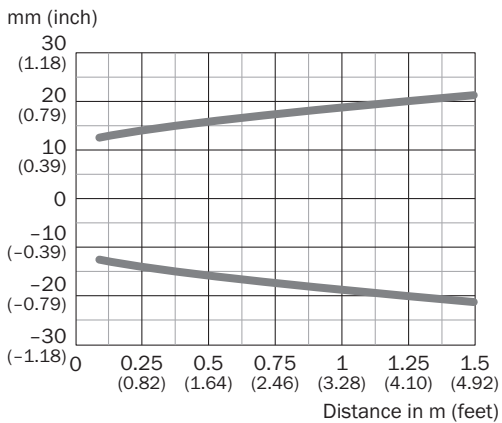
|                       |          |
|-----------------------|----------|
| <b>ECLASS 5.1.4</b>   | 27270902 |
| <b>ECLASS 6.0</b>     | 27270902 |
| <b>ECLASS 6.2</b>     | 27270902 |
| <b>ECLASS 7.0</b>     | 27270902 |
| <b>ECLASS 8.0</b>     | 27270902 |
| <b>ECLASS 8.1</b>     | 27270902 |
| <b>ECLASS 9.0</b>     | 27270902 |
| <b>ECLASS 10.0</b>    | 27270902 |
| <b>ECLASS 11.0</b>    | 27270902 |
| <b>ECLASS 12.0</b>    | 27270902 |
| <b>ETIM 5.0</b>       | EC002717 |
| <b>ETIM 6.0</b>       | EC002717 |
| <b>ETIM 7.0</b>       | EC002717 |
| <b>ETIM 8.0</b>       | EC002717 |
| <b>UNSPSC 16.0901</b> | 39121528 |

## Connection diagram

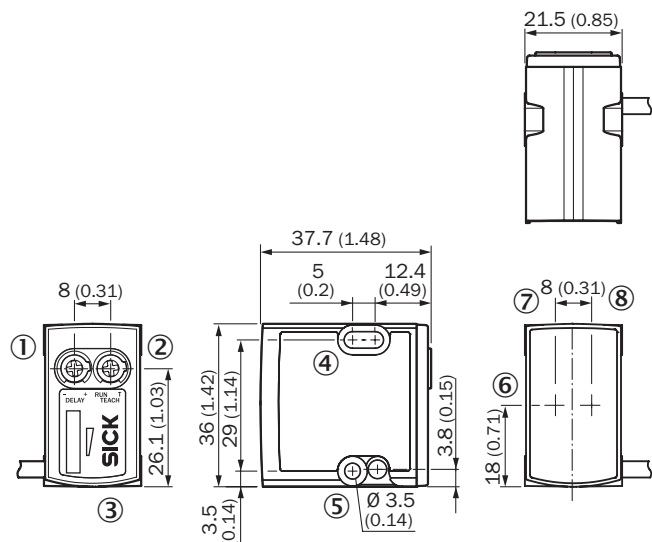
Cd-253



## Light spot size



Dimensional drawing (Dimensions in mm (inch))



- ① Potentiometer / LED indicator green
- ② Potentiometer / LED indicator orange
- ③ BluePilot blue: signal strength light bar during teach process / AutoAdapt indicator during run
- ④ Mounting hole M3 (Ø 3.1 mm)
- ⑤ Mounting hole M3 (Ø 3.1 mm)
- ⑥ Optical axis
- ⑦ Optical axis
- ⑧ Optical axis


Recommended accessories

Other models and accessories → [www.sick.com/RAY10\\_Reflex\\_Array](http://www.sick.com/RAY10_Reflex_Array)

|                                     | Brief description  | Type               | Part no. |
|-------------------------------------|--|--------------------|----------|
| <b>Universal bar clamp systems</b>  |  |                    |          |
|                                     | Plate N08 for universal clamp bracket, Zinc plated steel (sheet), Zinc die cast (clamping bracket), Universal clamp (5322626), mounting hardware | BEF-KHS-N08        | 2051607  |
| <b>Mounting brackets and plates</b> |  |                    |          |
|                                     | Universal mounting bracket for reflectors, steel, zinc coated  | BEF-WN-REFX        | 2064574  |
| <b>Plug connectors and cables</b>   |  |                    |          |
|                                     | Head A: female connector, M8, 4-pin, straight, A-coded<br>Head B: Flying leads<br>Cable: Sensor/actuator cable, PVC, unshielded, 5 m             | YF8U14-050VA3XLEAX | 2095889  |
|                                     | Head A: male connector, M8, 4-pin, straight<br>Cable: unshielded   | STE-0804-G         | 6037323  |

# RAY10-PZ3EBL | RAY10 Reflex Array

MULTITASK PHOTOELECTRIC SENSORS

|   | Brief description  | Type  | Part no. |
|---|--|-------|----------|
| Reflectors  |  |       |          |
|  | Fine triple reflector, screw connection, suitable for laser sensors, 52 mm x 62 mm, PM-MA/ABS, Screw-on, 2 hole mounting | P250F | 5308843  |

## SICK AT A GLANCE

SICK is one of the leading manufacturers of intelligent sensors and sensor solutions for industrial applications. A unique range of products and services creates the perfect basis for controlling processes securely and efficiently, protecting individuals from accidents and preventing damage to the environment.

We have extensive experience in a wide range of industries and understand their processes and requirements. With intelligent sensors, we can deliver exactly what our customers need. In application centers in Europe, Asia and North America, system solutions are tested and optimized in accordance with customer specifications. All this makes us a reliable supplier and development partner.

Comprehensive services complete our offering: SICK LifeTime Services provide support throughout the machine life cycle and ensure safety and productivity.

For us, that is “Sensor Intelligence.”

## WORLDWIDE PRESENCE:

Contacts and other locations –[www.sick.com](http://www.sick.com)