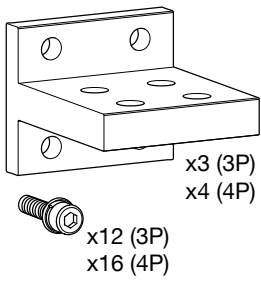
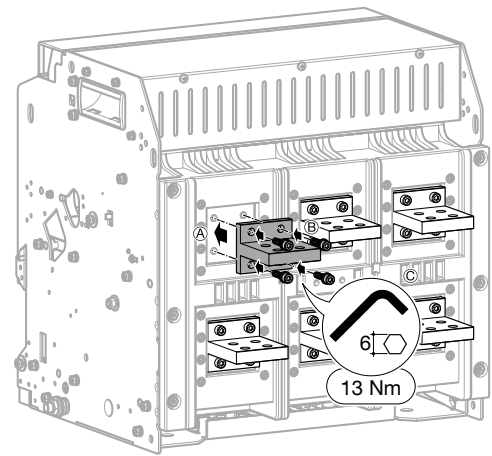
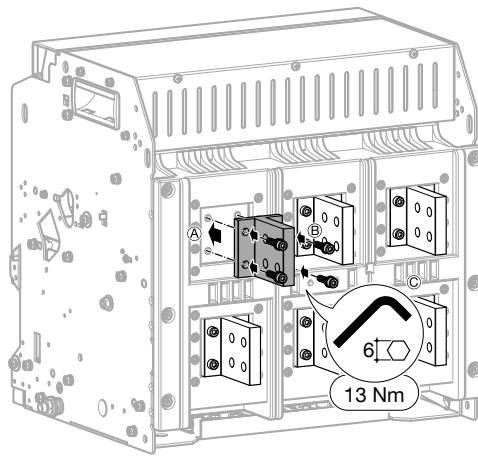


**HW4**  
 HWY068HSA - HWY068H  
 HWY069HSA - HWY069H  
 HWY168HSA - HWY168H  
 HWY169HSA - HWY169H

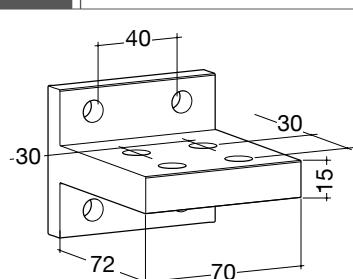
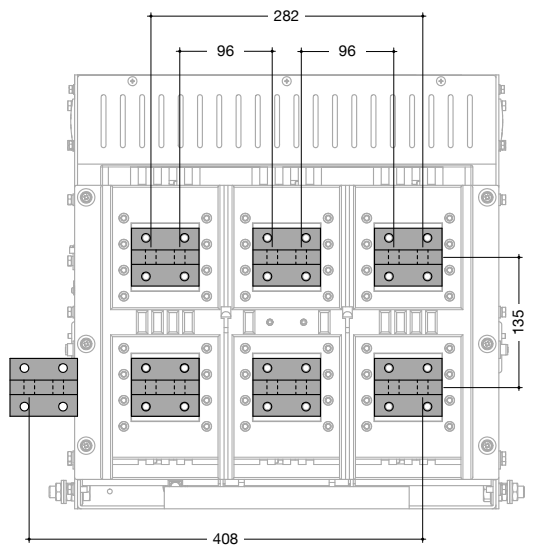
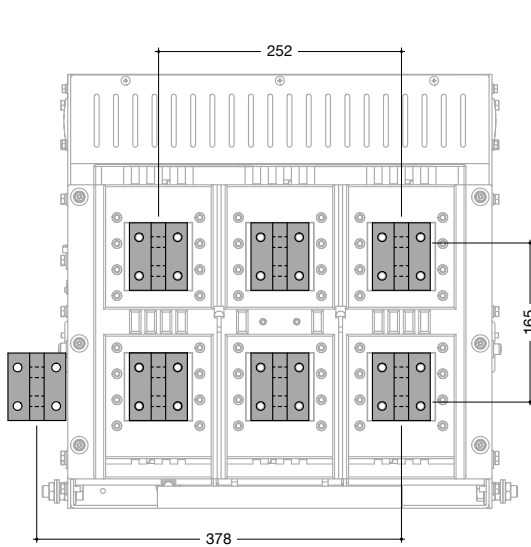


**HWY068HSA - HWY068H (1000 - 2500 A 3P)**  
**HWY069HSA - HWY069H (1000 - 2500 A 4P)**



**3P**

**4P**

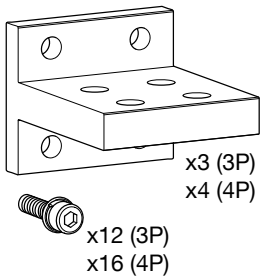
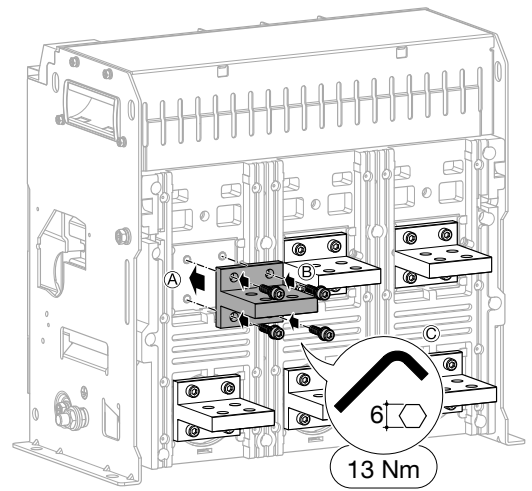
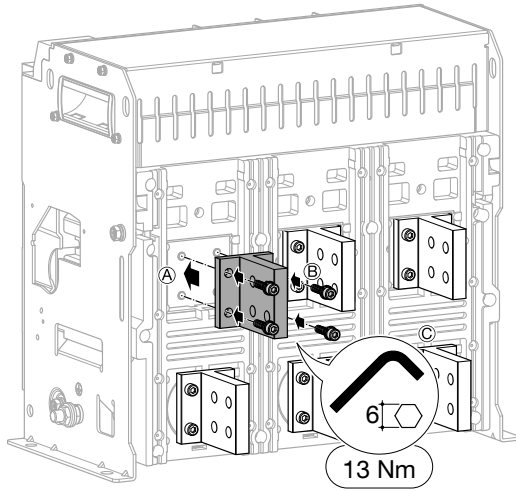


(mm)

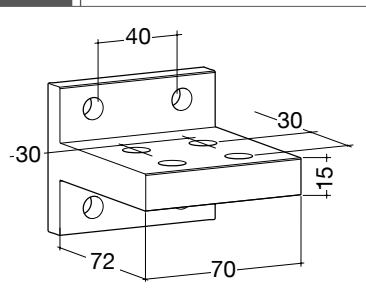
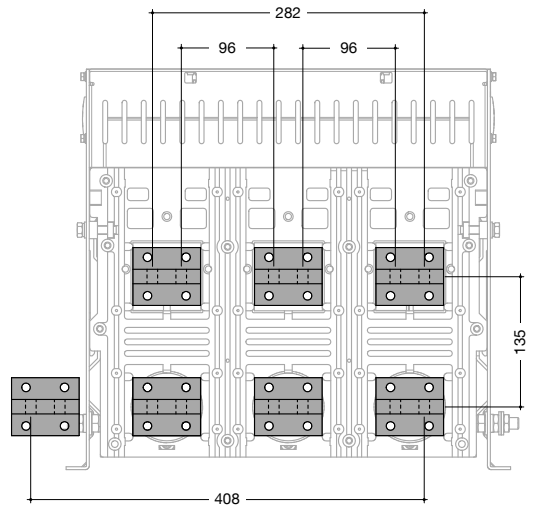
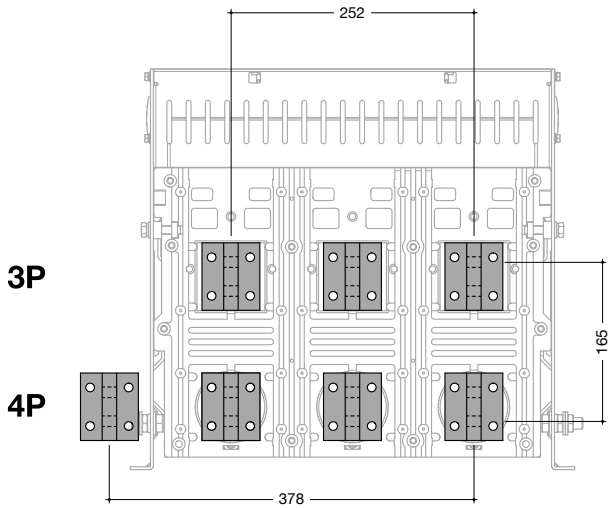


HWY068HSA - HWY068H (1000 - 2500 A 3P)  
 HWY069HSA - HWY069H (1000 - 2500 A 4P)

FIX  
 3P-4P



FIX  
 3P-4P



(mm)

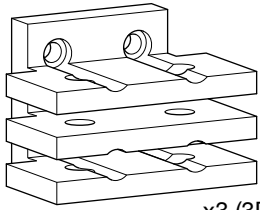
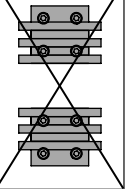
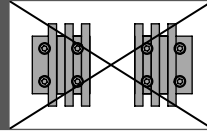
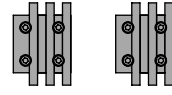
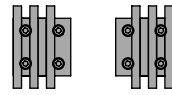


HWY168HSA - HWY168H (3200 - 4000 A 3P)  
 HWY169HSA - HWY169H (3200 - 4000 A 4P)



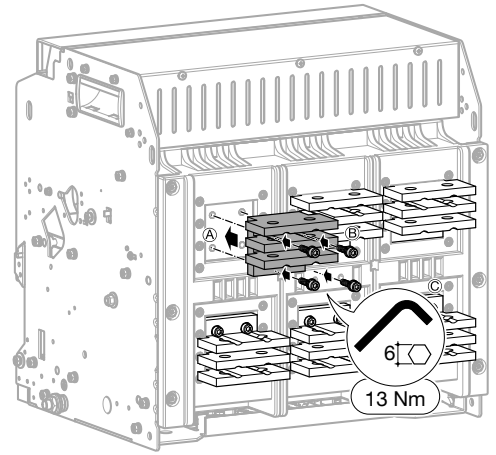
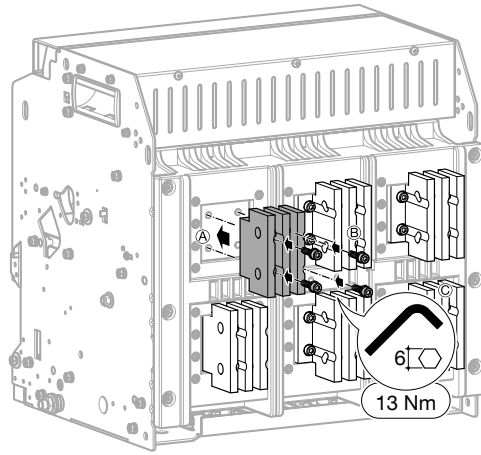
DO

3P-4P



x3 (3P)  
 x4 (4P)

x12 (3P)  
 x16 (4P)

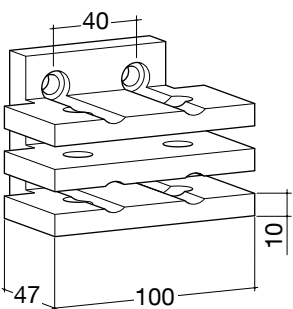
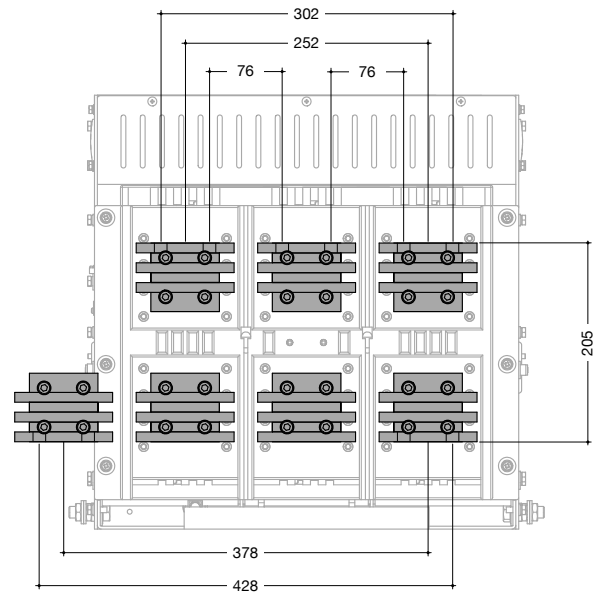
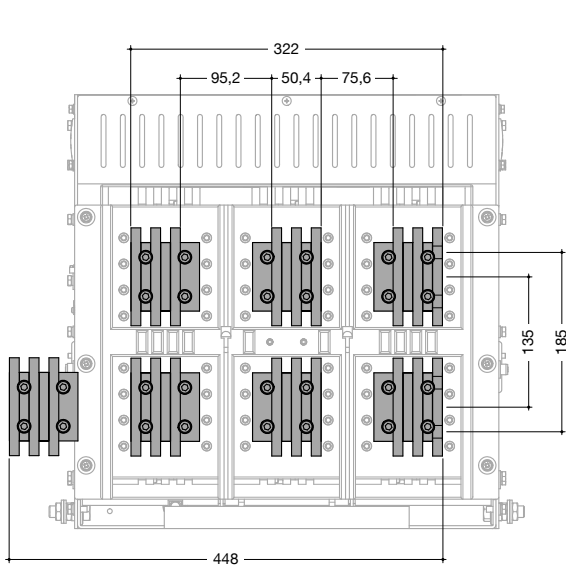


DO

3P-4P

3P

4P

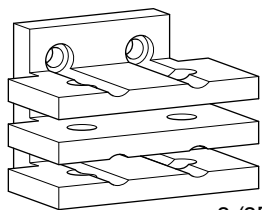
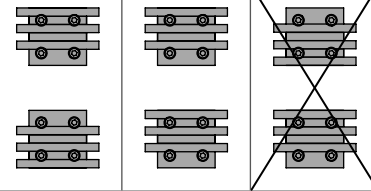
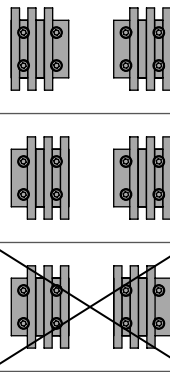


(mm)



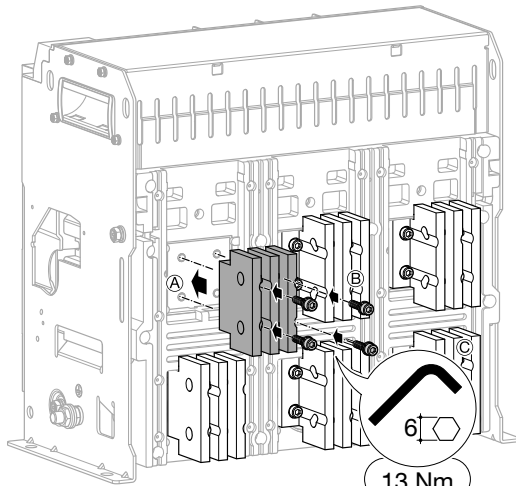
HWY168HSA - HWY168H (3200 - 4000 A 3P)  
 HWY169HSA - HWY169H (3200 - 4000 A 4P)

FIX  
 3P-4P

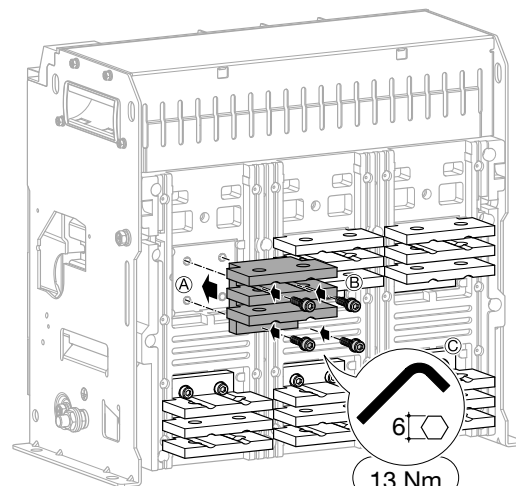


x3 (3P)  
 x4 (4P)

x12 (3P)  
 x16 (4P)



6  
 13 Nm



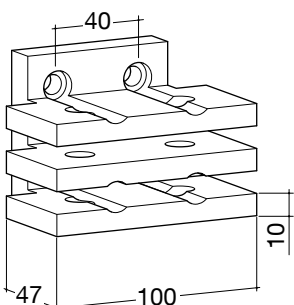
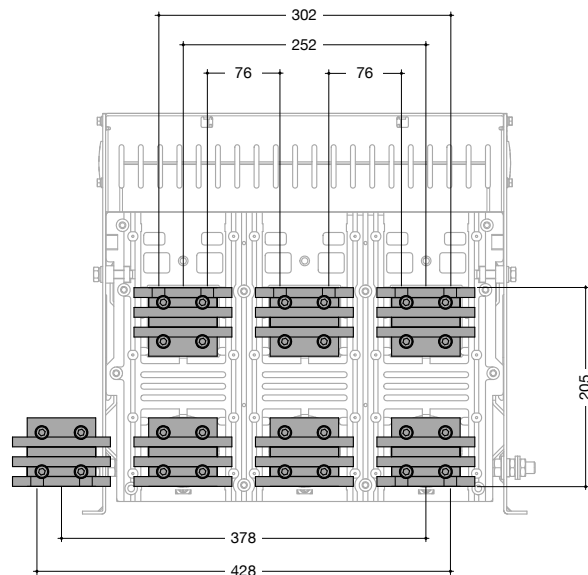
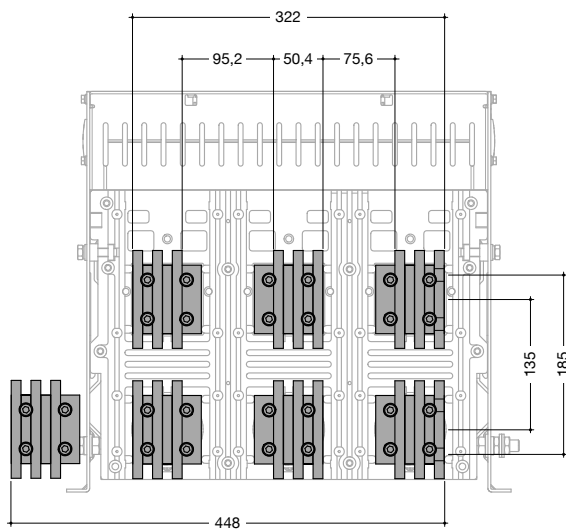
6  
 13 Nm



FIX  
 3P-4P

3P

4P



(mm)