



Electronic reversing starter with STO, 7A
ME070RSD024

Product designation

Product type designation

Electrical features

Function			Reversing starter
Rated operational voltage	V	40...500	
Rated frequency	Hz	50/60	
Auxiliary supply voltage	24VDC		
Rated current AC-3, AC-53a	A	7	
Thermal protection	Integrated, class 10A		
Thermal trip adjustment range	1.5...7A		
Safe torque Off (STO) safety function	Built-in		
IEC 61508 Safety Integrity Level	SIL3		
ISO 13849-1 performance level	PL e		

Digital outputs

Number of outputs	Nr.	3	
Output type	1 relay output with C/O contact +2 PNP digital outputs		
Output contacts ratings	Relay output: 3A 230V AC15, 2A 24V DC13 Digital outputs: 40mA 24VDC		

Mechanical features

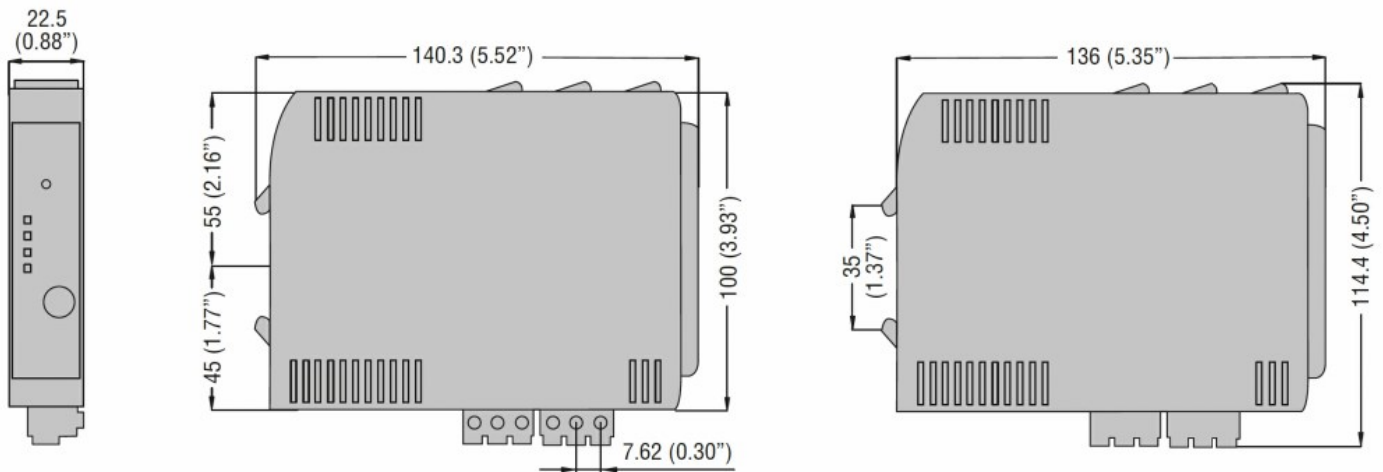
Terminals type	Screw		
Conductor section	AWG/kcmil conductor section		
	min	24	
	max	14	
	IEC		
	min	mm ²	0.2
	max	mm ²	2.5
	Tightening torque for terminals max		Nm 0.6
Cable stripping length			mm 8
Operating position	normal	Vertical	
Fixing	35mm DIN rail (IEC/EN/BS 60715)		
Weight			g 300

Operations

Mechanical life	cycles	15 milion
-----------------	--------	-----------

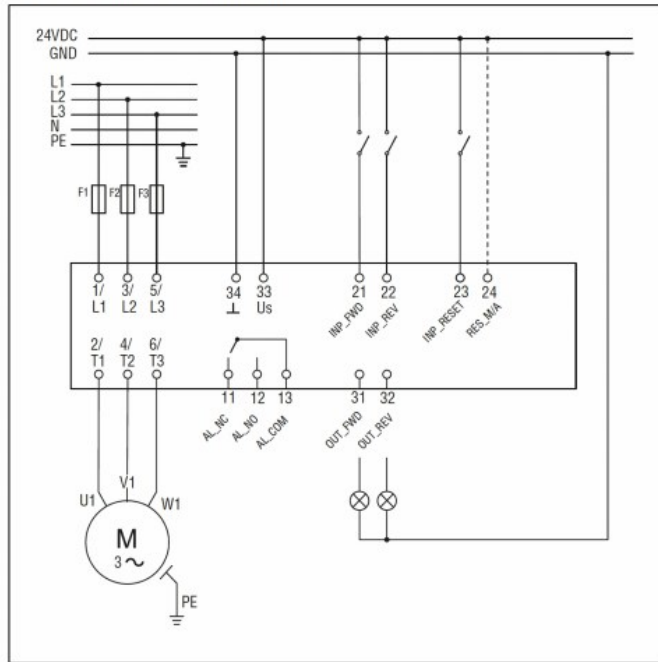
Electrical life		cycles	50 million
Ambient conditions			
Operating temperature	min	°C	-25
	max	°C	+70
Storage temperature			
	min	°C	-25
	max	°C	+80
Relative humidity		%	20...90
Resistance & Protection			
Rated insulation voltage Ui		V	500
Rated surge voltage		kV	6
Frontal IP degree			IP20
Terminals IP degree			IP20
Pollution degree			2

Dimensions

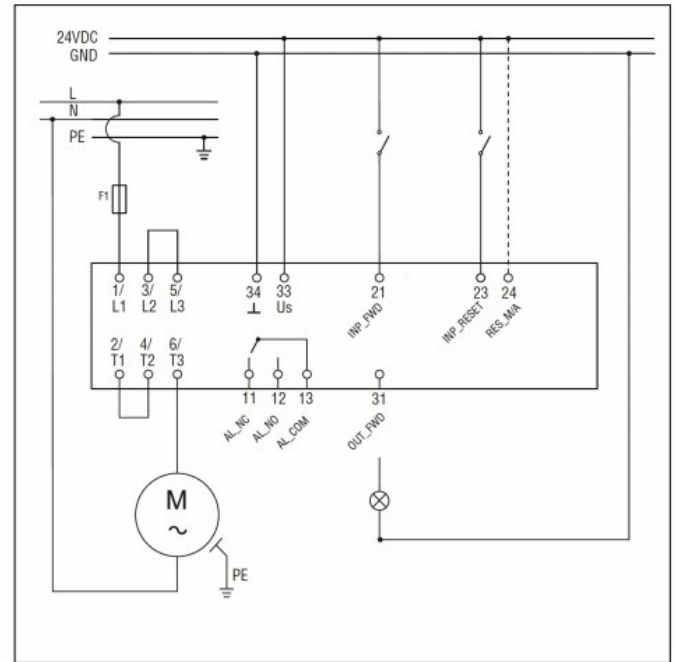


Wiring diagrams

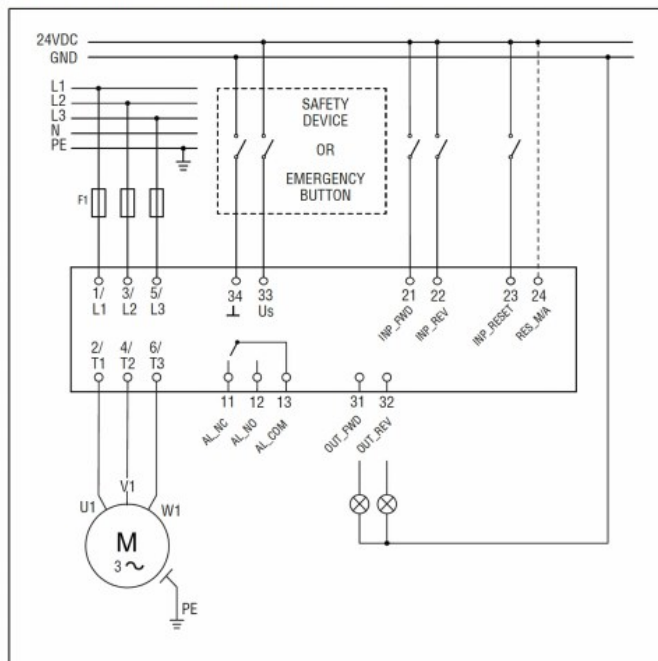
Wiring diagram for three-phase motors



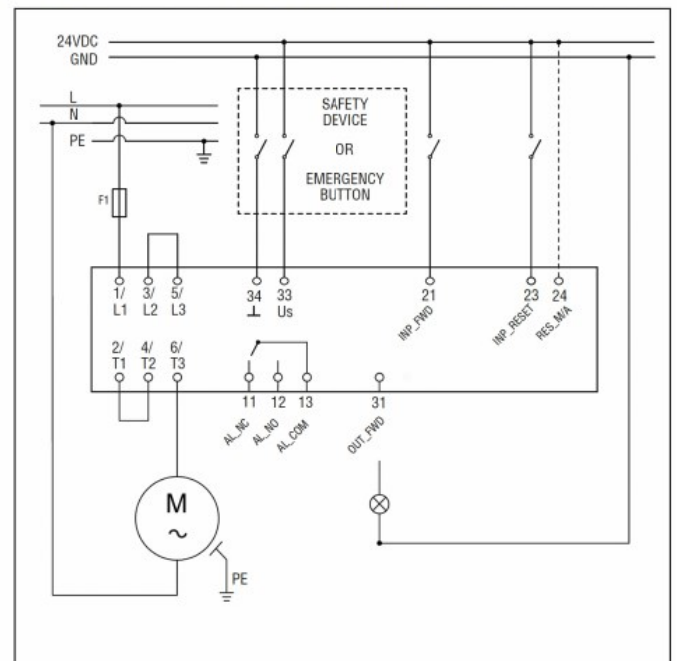
Wiring diagram for single-phase motors



Wiring diagram for three-phase motors for safety applications



Wiring diagram for single-phase motors for safety applications



Certifications and compliance

Compliance

CSA C22.2 n° 60947-4-2

IEC/EN/BS 60947-4-2

UL 60947-4-2

Certificates

cULus