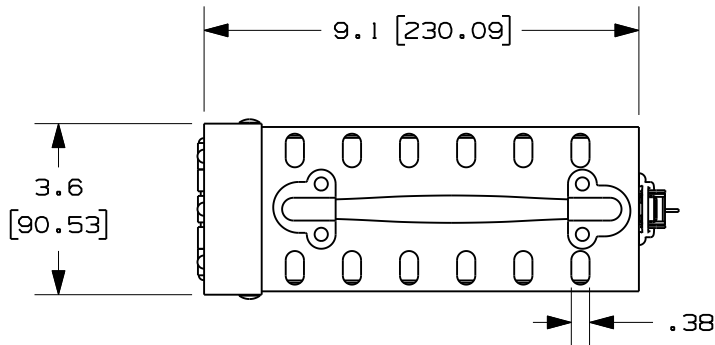
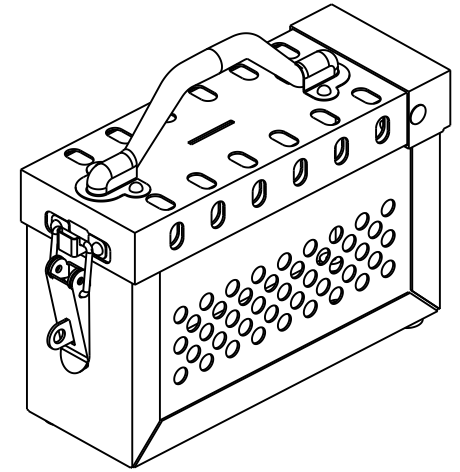
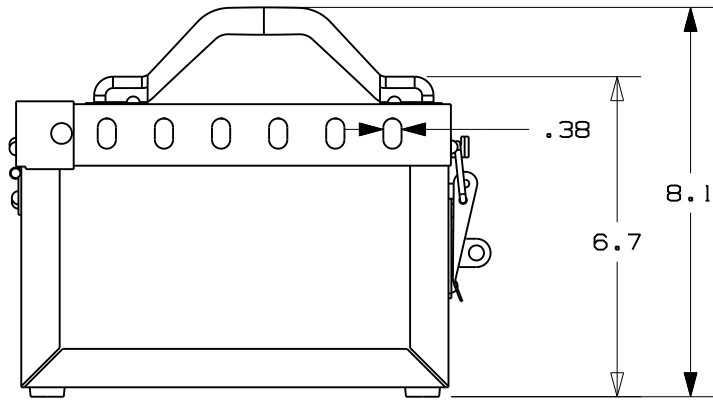


THIS COPY IS PROVIDED ON A RESTRICTED BASIS AND IS NOT TO BE USED IN ANY WAY DETRIMENTAL TO THE INTERESTS OF PANDUIT CORP.



NOTES:

- 1) DIMENSIONS IN () ARE MILLIMETERS
- 2) ACCOMODATES UP TO 13 PADLOCKS
- 3) INDUSTRIAL POWDER COATED STEEL CONSTRUCTION
- 4) COLOR: RED

CAD FILENAME/LAYERS		100930AC_DC_C10795/06A	
		CORP. TINLEY PARK, ILLINOIS	
		PSL-GLBN CUSTOMER DRAWING SLIDING LID GROUP LOCK BOX	
UNLESS OTHERWISE SPECIFIED, DIMENSIONAL TOLERANCES ARE: (.X) ± .1 (.76) (.XXX) ± .025 (.13) (.XX) ± .050 (.25) ANGLES ± 5°		UNLESS OTHERWISE SPECIFIED, ALL DIMENSIONS ARE GIVEN IN INCHES, THIRD ANGLE PROJECTION.	
DRAWN BY		MAT'L:	
JHAC		POWDER COATED STEEL	
DATE		SCALE	
10-2-09		1:4	
CHK'D		DRAWING NO.	
		C10795	
		DWG SIZE	
		A	

0	10-2-09	JHAC		DRAWING RELEASE	5866	R				
REV	DATE	BY	CHK	DESCRIPTION	ECN	R	CUST	SUP		