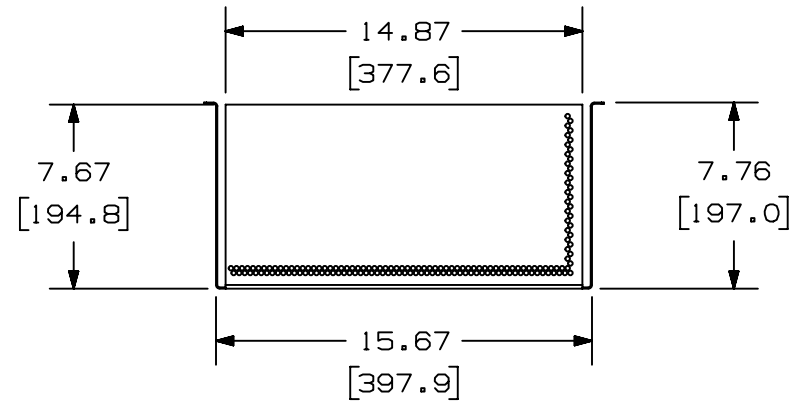


2

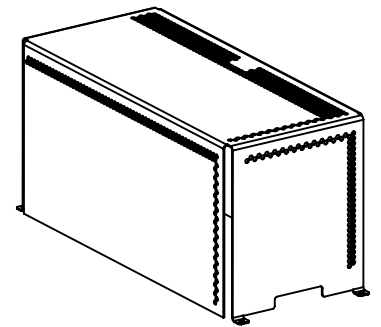
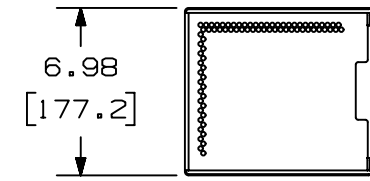
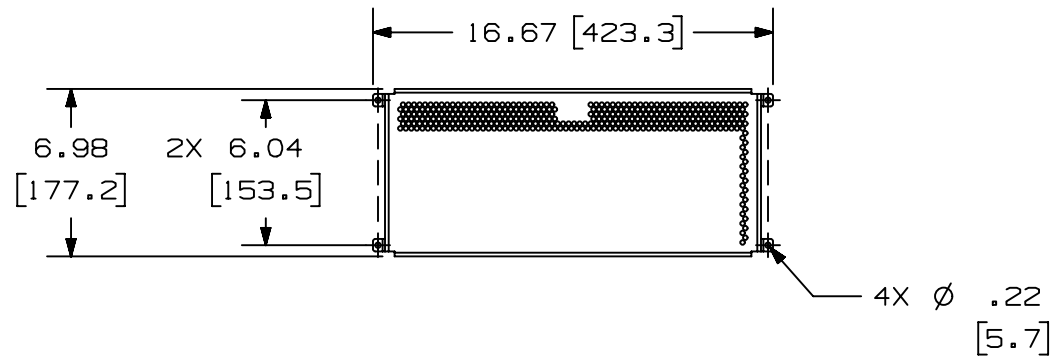
1

THIS COPY IS PROVIDED ON A RESTRICTED BASIS AND IS NOT TO BE USED IN ANY WAY DETRIMENTAL TO THE INTERESTS OF PANDUIT CORP.



PART NUMBER	WIDTH	HEIGHT	DEPTH
UVIB	16.67 (423.3)	7.76 (197.0)	6.98 (177.2)

- NOTES:
- VISIT OUR ON-LINE CATALOG AT WWW.PANDUIT.COM FOR A LIST OF CURRENT PARTS APPLICABLE FOR USE WITH THIS PRODUCT.
 - DIMENSIONS IN [] ARE METRIC.
 - PART INCLUDES:
 - METAL BODY
 - (4) MOUNTING NUTS



TITLE												
UNIVERSAL VOLTAGE ISOLATION BARRIER												
CUSTOMER DRAWING												
ITEM REVISION NAME					00157EAE/07							
DATASET FILE NAME					00157EAE_DC/07A							
					THIRD ANGLE PROJECTION							
MATERIAL					16 GA. STEEL							
DRAWING NUMBER					00157EAE-DC							
REV	DATE	BY	CHK	APR	DESCRIPTION	ECN	DRAWN BY	DATE	CHK	SCALE	SHEET 1 OF 1	SIZE
07A	4/8/20	JBO	ADS	DAJP	INITIAL RELEASE	00157EAE-DC	JBO	4/8/20	ADS	NONE		A

A-SIZE CUSTOMER

2

1