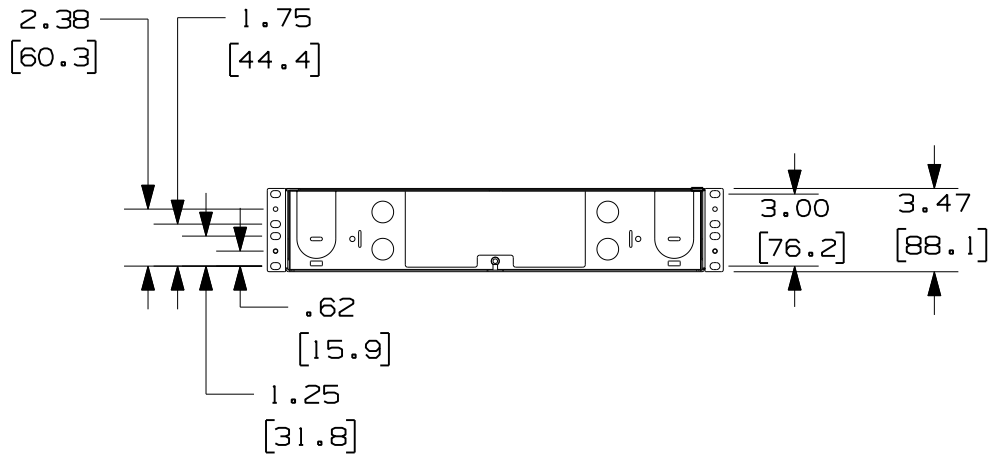
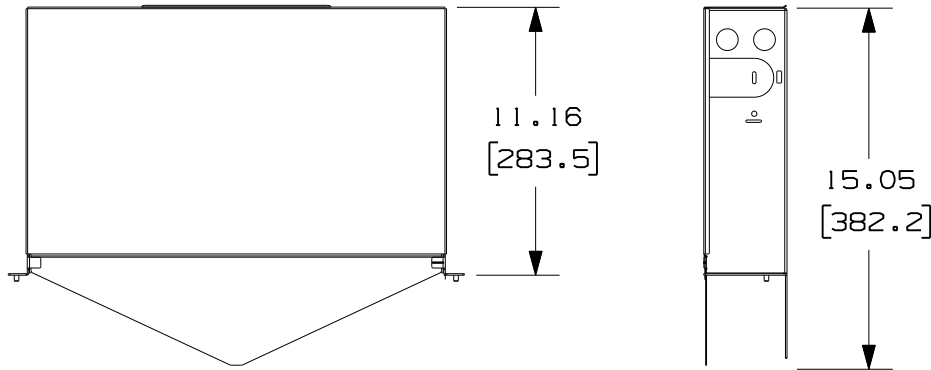


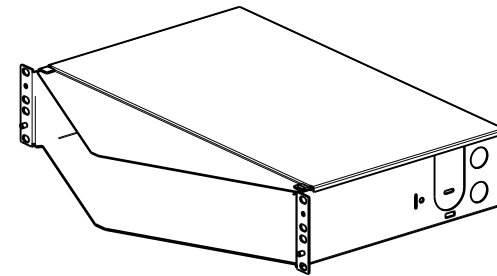
THIS COPY IS PROVIDED ON A RESTRICTED BASIS AND IS NOT TO BE USED IN ANY WAY DETRIMENTAL TO THE INTERESTS OF PANDUIT CORP.



| PANDUIT PART NO. • | DESCRIPTION | WEIGHT |
|--------------------|----------------------------------|--------|
| FMT2A | 2RU RACK MOUNT ANGLED FIBER TRAY | |

NOTES:

- SEE CURRENT CATALOG FOR COMPLETE LIST OF PARTS APPLICABLE FOR USE WITH THIS PARTS.
- THE PATCH PANEL IS DESIGNED FOR MOUNTING TO FMTD48 TRAY OR 19" UNIVERSAL RACKS.
- PACKAGE CONTENTS:
- DIMENSIONS IN PARENTHESES ARE METRIC.



| | | |
|------------------|---------------------|------|
| DRAWING FILENAME | F00049AB_DC/00A.PRT | SIZE |
| MODEL FILENAME | F00049AB/00A.PRT | A |

2RU RACK MOUNT ANGLED TRAY
CUSTOMER DRAWING

| | | | | | | | | | | | | | | | | | | | | | |
|--|-------------------------|------|-----|-----------------------|-------------|-----|------|------|-----|-----|---|---------|------|--|-----------------------|-------------|--|--|--|--|----------------------------|
| <p>PANDUIT™ CORP. TINLEY PARK, ILL 60477</p> | I.I. NUMBER | | | | | | | | | | | | | | | | | | | | |
| | PROD SPEC/PKG SPEC | | | | | | | | | | | | | | | | | | | | |
| <p>THIRD ANGLE PROJECTION</p> | ASSY METHOD/TEST METHOD | | | | | | | | | | | | | | | | | | | | |
| | SCALE NONE | | | | | | | | | | | | | | | | | | | | |
| DRAWN BY LEHO | REVIEW DRAWING NUMBERS | | | | | | | | | | | | | | | | | | | | |
| DATE 09-16-08 | MAT'L SEE NOTES | | | | | | | | | | | | | | | | | | | | |
| <p>ALL DIMENSIONS ARE GIVEN IN INCHES, UNLESS OTHERWISE SPECIFIED.</p> <p>DIMENSIONAL TOLERANCES ARE: (.X) ±.03 (.XXX) ±.005 (.XX) ±.01 ANGLES ± 1°</p> | PART NO. FMT2A | | | | | | | | | | | | | | | | | | | | |
| <table border="1"> <tr> <td>REV</td> <td>DATE</td> <td>BY</td> <td>CHK</td> <td>DESCRIPTION</td> <td>ECN</td> <td>R</td> <td>CUST</td> <td>SUP</td> <td>OTH</td> </tr> <tr> <td>R</td> <td>9-16-08</td> <td>LEHO</td> <td></td> <td>RELEASE FOR PROTOTYPE</td> <td>F00049AB_DC</td> <td></td> <td></td> <td></td> <td></td> </tr> </table> | REV | DATE | BY | CHK | DESCRIPTION | ECN | R | CUST | SUP | OTH | R | 9-16-08 | LEHO | | RELEASE FOR PROTOTYPE | F00049AB_DC | | | | | DRAWING NO. F00049AB_DC |
| REV | DATE | BY | CHK | DESCRIPTION | ECN | R | CUST | SUP | OTH | | | | | | | | | | | | |
| R | 9-16-08 | LEHO | | RELEASE FOR PROTOTYPE | F00049AB_DC | | | | | | | | | | | | | | | | |