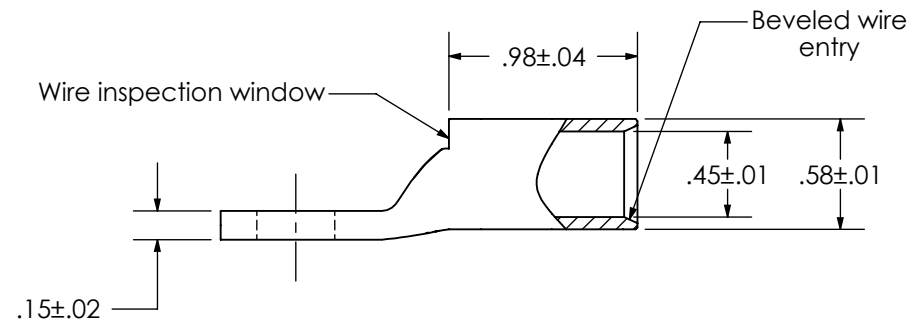
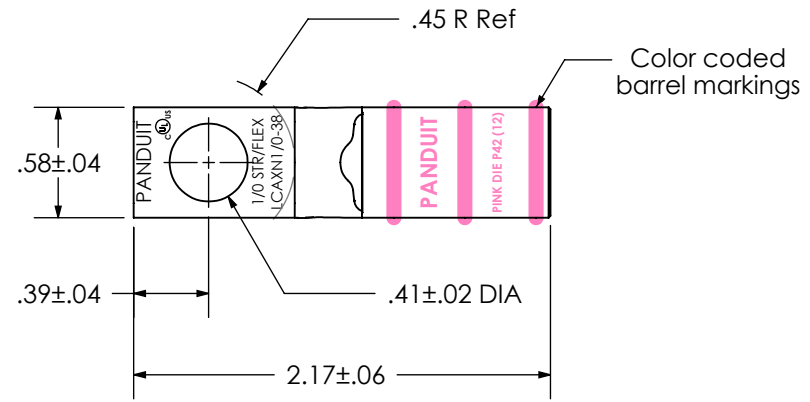


THIS COPY IS PROVIDED ON A RESTRICTED BASIS AND IS NOT TO BE USED IN ANY WAY DETRIMENTAL TO THE INTERESTS OF PANDUIT CORP.

| | |
|--|--|
| Material | High Conductivity Seamless Copper Tube |
| Plating | Electro-Tin |
| Wire Size | 1/0 STR/FLEX |
| Wire Type | Stranded Copper: Class B & C, Compact, Class G, H, I, K, M, Locomotive |
| Wire Strip Length | 1-1/16 in. |
| Stud Size | 3/8 in. |
| UL Listed Wire Connector | Yes, for applications up to 35kv. Consult cable manufacturer for voltage stress relief instructions with applications greater than 2000 volts. |
| UL Temperature Rating | 90° C |
| C.S.A Certified Wire Connector | N/A |
| Panduit Color Code on Barrel | PINK |
| Panduit Die Index No. on Barrel | P42 |
| Alternate Industry Die Index No. () on Barrel | (12) |



| REV | DATE | BY | CHK | APR | DESCRIPTION | ECN |
|-----|-------|------|------|-----|------------------|---------------------------|
| 00 | 12/16 | JHNU | JHNU | RGB | DRAWING RELEASED | 00159NBK-LCAXN1/0-38-CUST |

PANDUIT CORP. TINLEY PARK, ILLINOIS

LCAXN1/0-38-X
Copper Lug - One-Hole, Narrow Tongue, Standard Flex Barrel

SCALE N/A DRAWING NO / CAD FILE LCAXN1_0-38-CUST