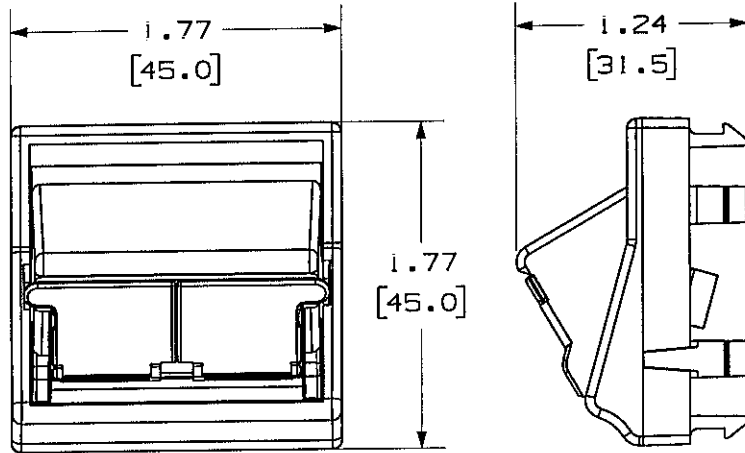
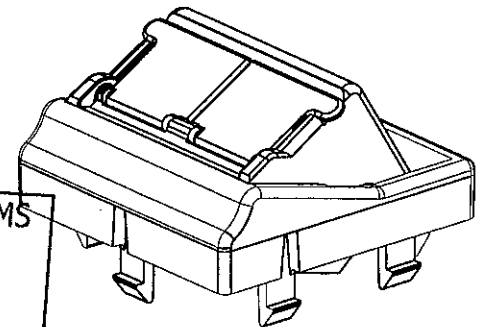


THIS COPY IS PROVIDED ON A RESTRICTED BASIS AND IS NOT TO BE USED IN ANY WAY DETRIMENTAL TO THE INTERESTS OF PANDUIT CORP.

PANDUIT P/N	WEIGHT
NKFS2S**	.23 LB/10 PCS (106.3 g/10 PCS)



- NOTES:
1. SEE CURRENT CATALOG FOR ADDITIONAL PART NUMBER SUFFIXES TO INDICATE COLOR AND OR PACKAGE QUANTITY.
 2. SEE CATALOG FOR COMPLETE LIST OF PARTS APPLICABLE FOR USE WITH THIS PART.
 3. DIMENSIONS IN PARENTHESES ARE IN METRIC.
 4. PART INCLUDES:
 - 1- 45mm x 45mm ADAPTER
 - 1- 2 POSITION NETKEY SLOPED SHUTTERED 1/2 INSERT



NETWORK SYSTEMS
SEP 05 2006
ENGINEERING DEPT

MODEL FILENAME	MO2463AE_NKFS2S_01.PRT	SIZE	A
DRAWING FILENAME	MO2463AE_DC06_01A.PRT		

NETKEY 2 POSITION 45mm x 45mm SLOPED SHUTTERED FRENCH FACEPLATE ADAPTER KIT CUSTOMER DRAWING

<p>PANDUITTM CORP. TINLEY PARK, ILL 60477</p> <p>ALL DIMENSIONS ARE GIVEN IN INCHES, UNLESS OTHERWISE SPECIFIED.</p> <p>DIMENSIONAL TOLERANCES ARE: (.X) ± (.XXX) ± .010(.3) (.XX) ± .031(.8) ANGLES ±</p>	1.1. NUMBER	N/A
	PRODUCT SPEC	N/A
	WORK INSTRUCTION	N/A
	SCALE	NONE
THIRD ANGLE PROJECTION	DRAWN BY	JSP
	DATE	6-17-06
	MATERIAL:	ADAPTER/INSERT - ABS
	PART NO.	NKFS2S**
	DRAWING NO.	02463-06

REV	DATE	BY	CHK	DESCRIPTION	ECN	R	CUST	SUP	OTH
I	7-14-06	JsP	EB	UPDATED PART ORIENTATION	02463-06		EB	EB	
R	6-17-06	JsP	EB	RELEASED TO PRODUCTION	02463-06				