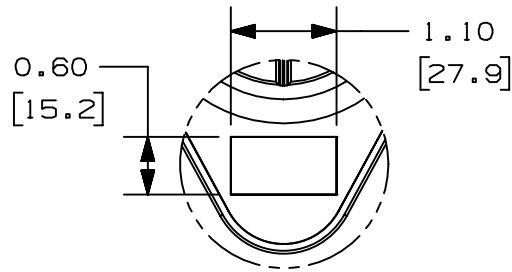
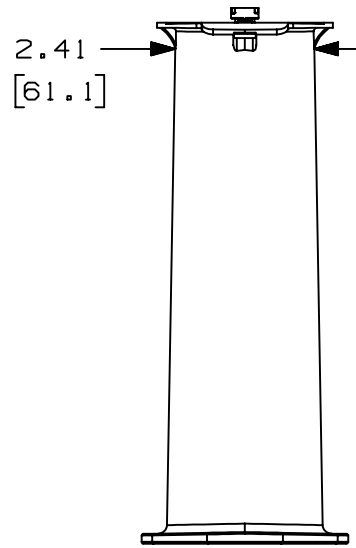


THIS COPY IS PROVIDED ON A RESTRICTED BASIS AND IS NOT TO BE USED IN ANY WAY DETRIMENTAL TO THE INTERESTS OF PANDUIT CORP.

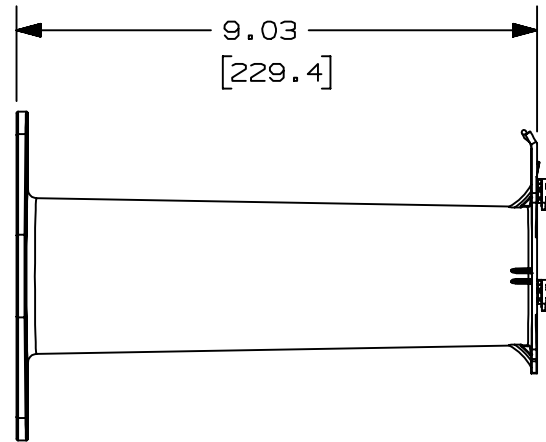
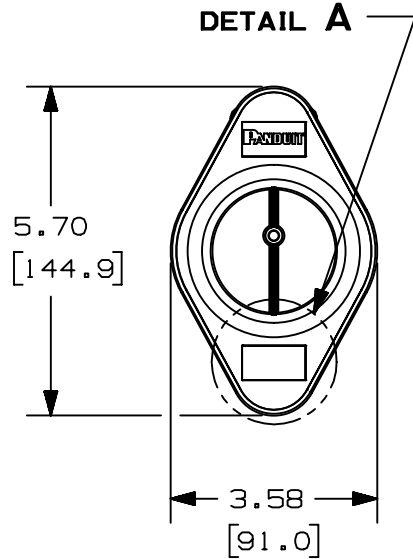
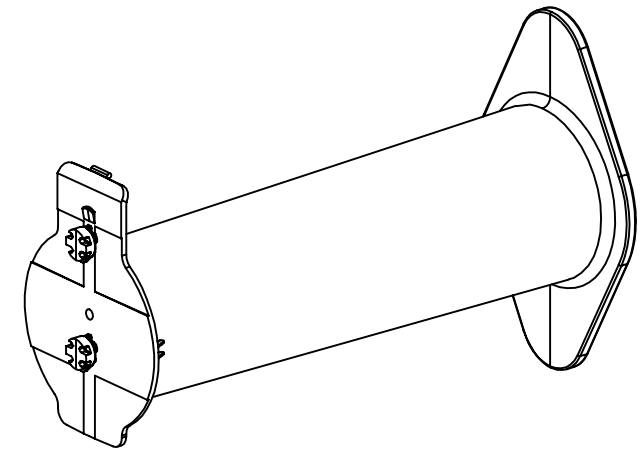


**DETAIL A**  
**SCALE 1:2**  
**LABEL WINDOW WILL ACCOMMODATE LABELS WITH PANDUIT PART NO. C100X050\*\*T (SOLD SEPARATELY)**

PANDUIT PART NO.	WEIGHT
FDUSP	.4 LBS/EACH 0.181 kg/EACH

**NOTES:**

- VISIT OUR ON-LINE CATALOG AT [WWW.PANDUIT.COM](http://WWW.PANDUIT.COM) FOR A CURRENT LIST OF PRODUCTS APPLICABLE FOR USE WITH THIS PART.
- PRIMARY DIMENSIONS ARE IN ENGLISH
- PARTS SUPPLIED:  
(1) FIBER SPOOL



TITLE					<b>FLEXCORE FIBER SPOOL - (FDUSP)</b>				
CUSTOMER DRAWING									
ITEM REVISION NAME		00523ECR/08			<b>PANDUIT</b>				
DATASET FILE NAME		00523ECR_DC/08B							
UNLESS OTHERWISE SPECIFIED, DIMENSIONAL TOLERANCES ARE: IN [mm]					MATERIAL: <b>POLYCARBONATE</b>				
DRAWN BY: LEE DATE: 11/15/21 CHK: SSP SCALE: NONE					DRAWING NUMBER: 00523ECR-DC				
THIRD ANGLE PROJECTION					SHT 1 OF 1				
REV					SIZE				
A					A				

08B	11/15/21	LEE	SSP	GB-SJMO	DRAWING RELEASED	V090020T/01
REV	DATE	BY	CHK	APR	DESCRIPTION	ECN

D101000A/16