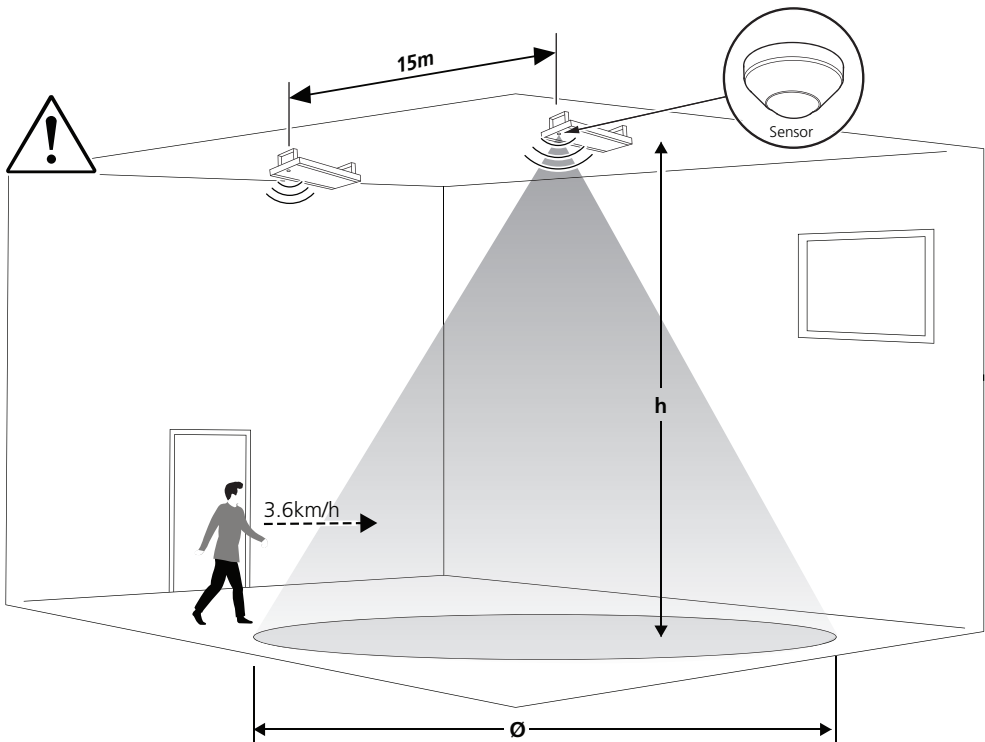


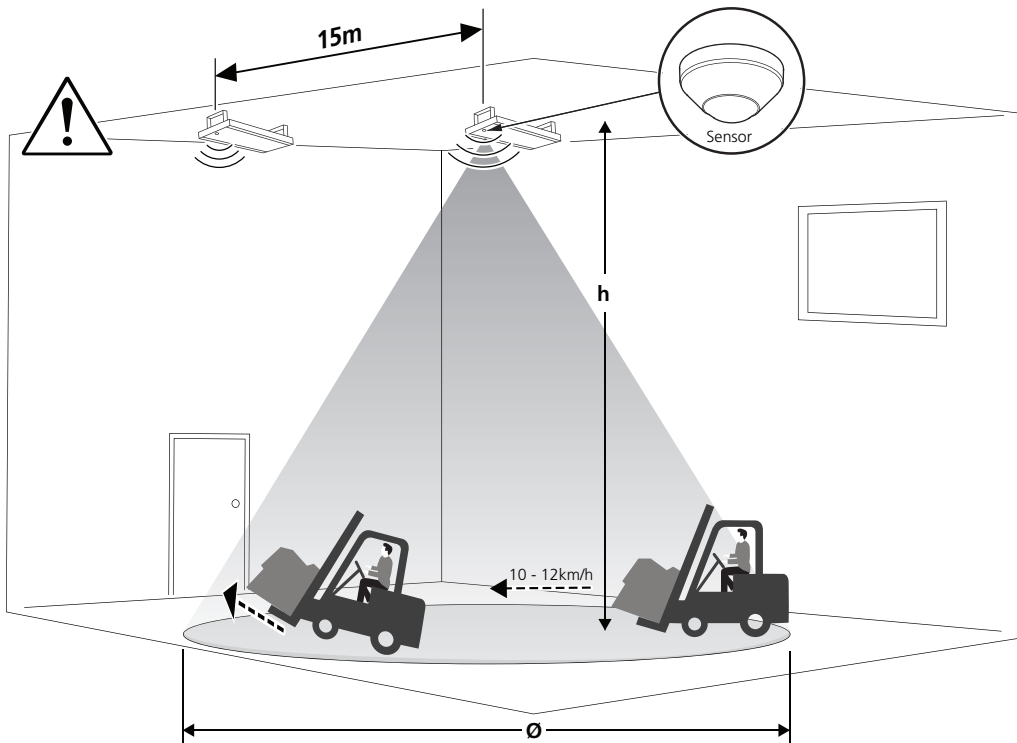
1a



h	Ø
8m	7.7m*
10m	9.6m*
12m	11.6m*
14m	13.5m
17m	15.5m

*Calculated

1b



h	Ø
8m	7.7m*
10m	9.6m*
12m	11.6m*
14m	13.5m
17m	15.5m

*Calculated

2

h	d
6m	≤3.6m
10m	≤6.0m
14m	≤8.4m
17m	≤10.0m

