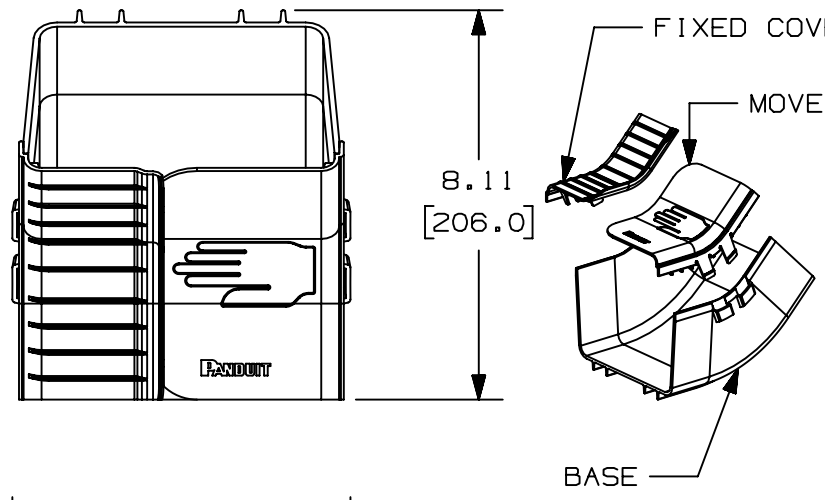


2

1

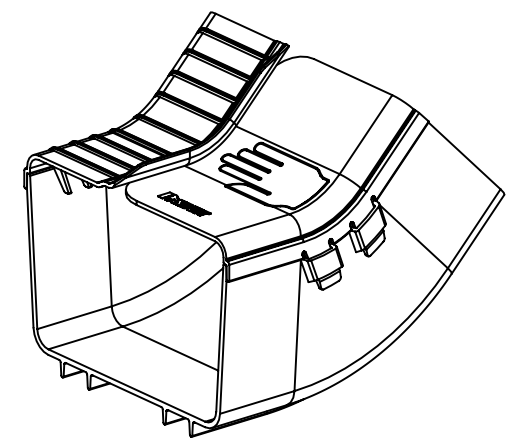
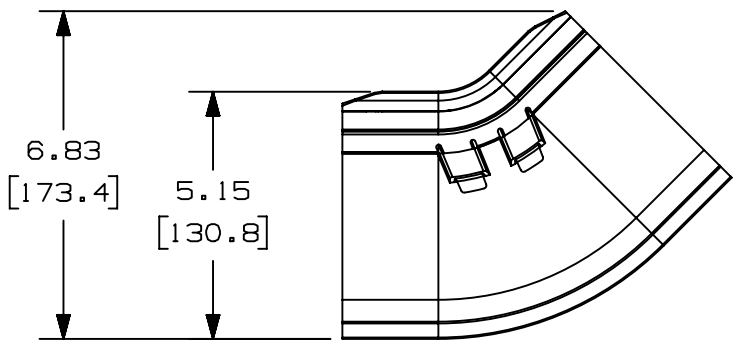
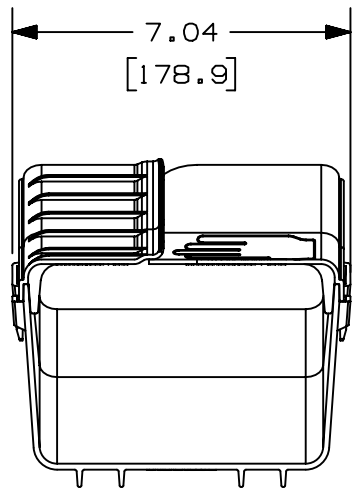
THIS COPY IS PROVIDED ON A RESTRICTED BASIS AND IS NOT TO BE USED IN ANY WAY DETRIMENTAL TO THE INTERESTS OF PANDUIT CORP.



PANDUIT PART NUMBER	WEIGHT	MATERIAL
FRIV456X4**	0.8 LB/EACH (363g/EACH)	ABS
FRIV456X4L**	0.8 LB/EACH (363g/EACH)	PC/ABS

NOTES: 

1. SEE CURRENT CATALOG FOR ADDITIONAL PART SUFFIXES TO INDICATE COLOR AND/OR PACKAGE QUANTITY.
2. THE FIBERRUNNER 6x4 INSIDE VERTICAL 45° ANGLE FITTING IS DESIGNED WITH A MINIMUM 2" (50.8) BEND RADIUS TO PROTECT FIBER OPTIC CABLES.
3. THE FIBERRUNNER 6x4 INSIDE VERTICAL 45° ANGLE FITTING INCLUDES:  
ONE (1) INSIDE VERTICAL 45° ANGLE BASE,  
ONE (1) FIXED COVER SECTION,  
ONE (1) MOVEABLE COVER SECTION
4. DIMENSIONS IN PARENTHESES ARE IN METRIC.



B


B

A

A

N\GLOBAL\_AS\SIZE

REV	DATE	BY	CHK	APR	DESCRIPTION	ECN
03A	1-15-20	MES	DWR	DWR	I. ADDED FRIV456X4L** PART NUMBER	V09002DZ/01

TITLE <b>FIBERRUNNER 6x4 INSIDE VERTICAL 45° ANGLE FITTING (FRIV456X4**, FRIV456X4L**)</b> CUSTOMER DRAWING			
ITEM REVISION NAME D37185EQ/01			
DATASET FILE NAME D37185EQ/01			
UNLESS OTHERWISE SPECIFIED, DIMENSIONAL TOLERANCES ARE: (.X) ± .03 (.8)      (.XXX) ± .005 (0.125) (.XX) ± .03 (.8)      ANGLES ± .005 (0.125)		MATERIAL: <b>SEE PART NUMBER TABLE ABOVE</b>	
DRAWN BY REWE		DRAWING NUMBER 37185-63	
DATE 5-1-00	CHK HIW	SCALE NONE	SIZE A

2

1