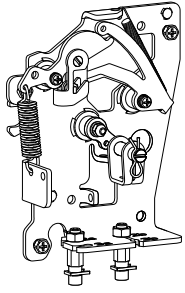
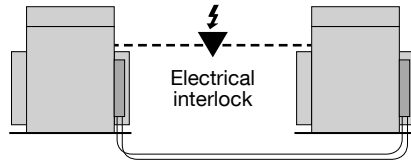
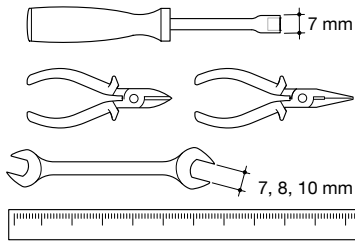


6LE007624Ab



HWY224H

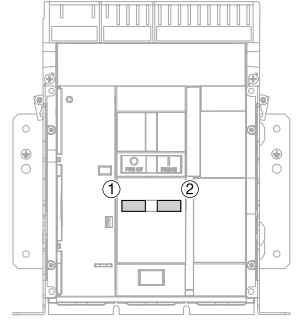


HZI855 + 6LE007893A



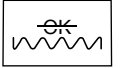
FIX

3P-4P

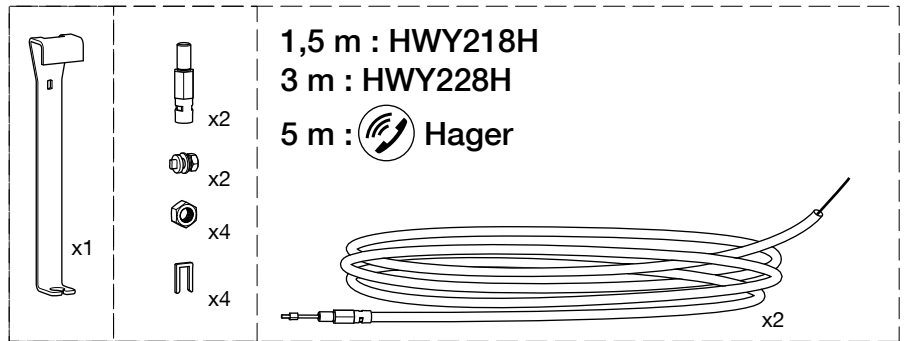
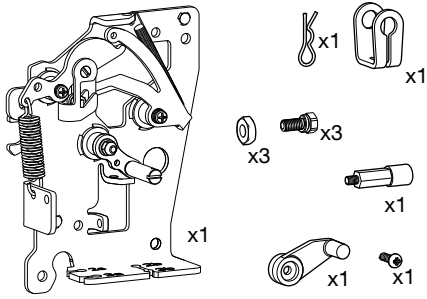


①

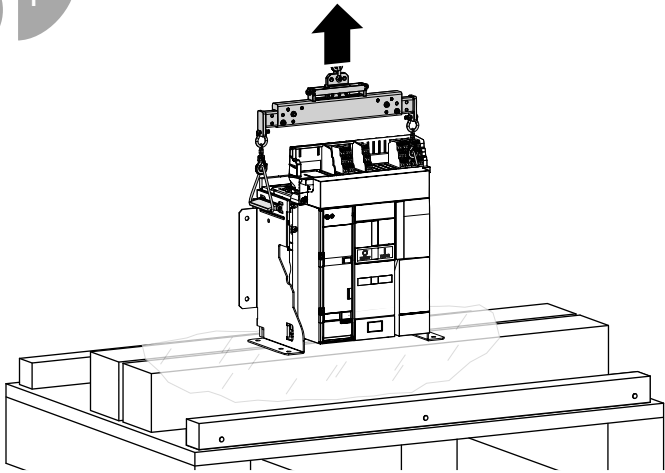
②



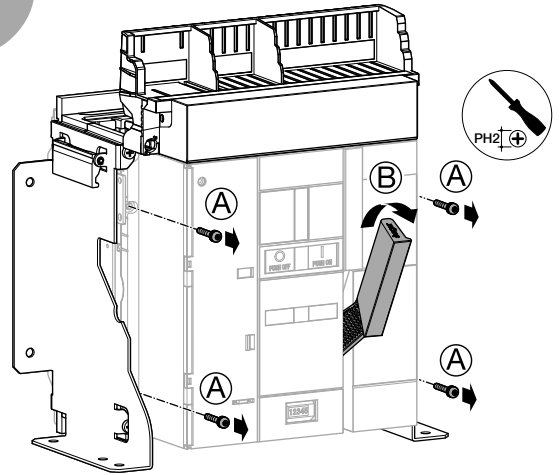
FIX



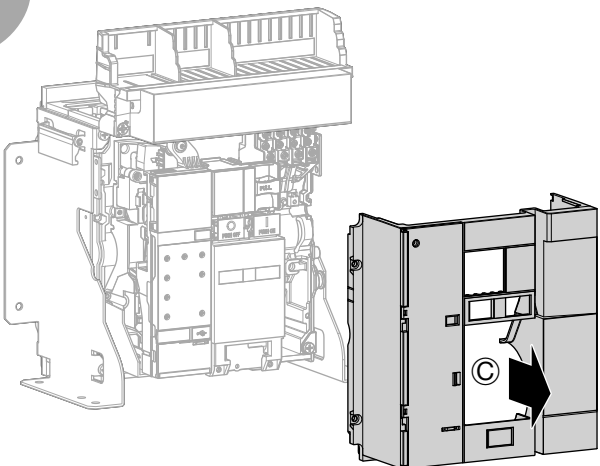
1



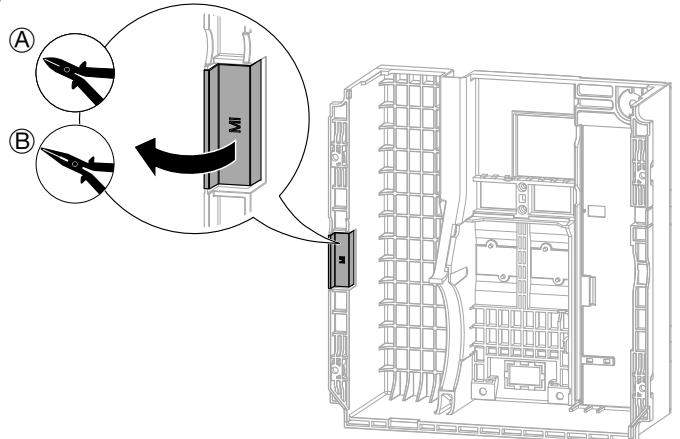
2

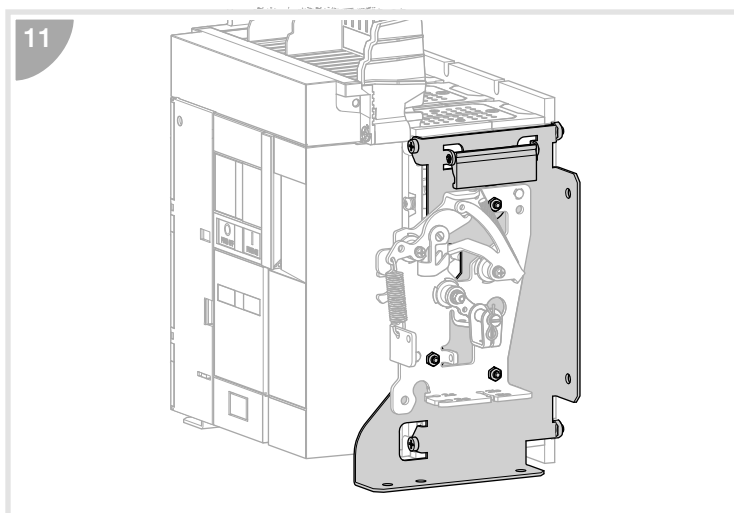
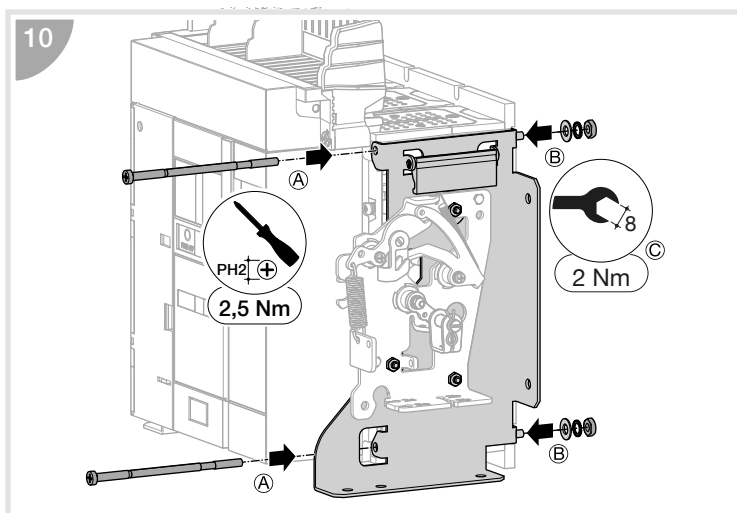
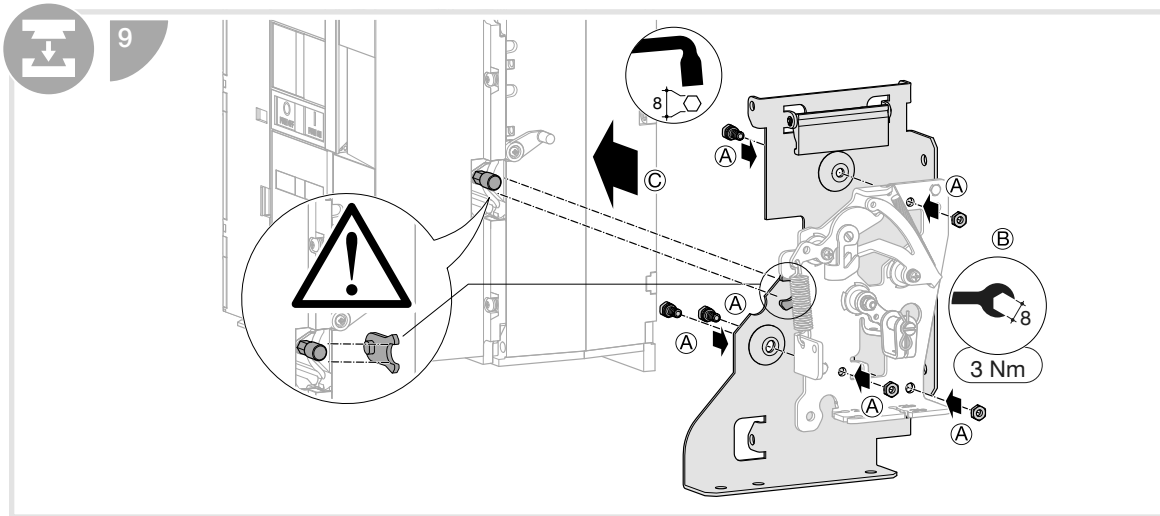
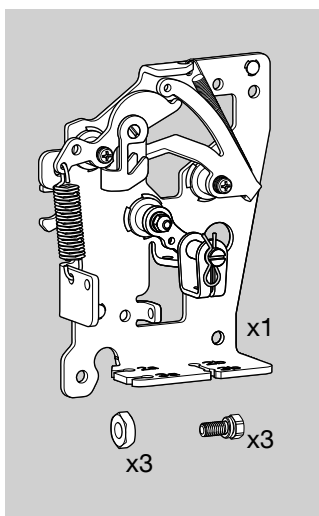
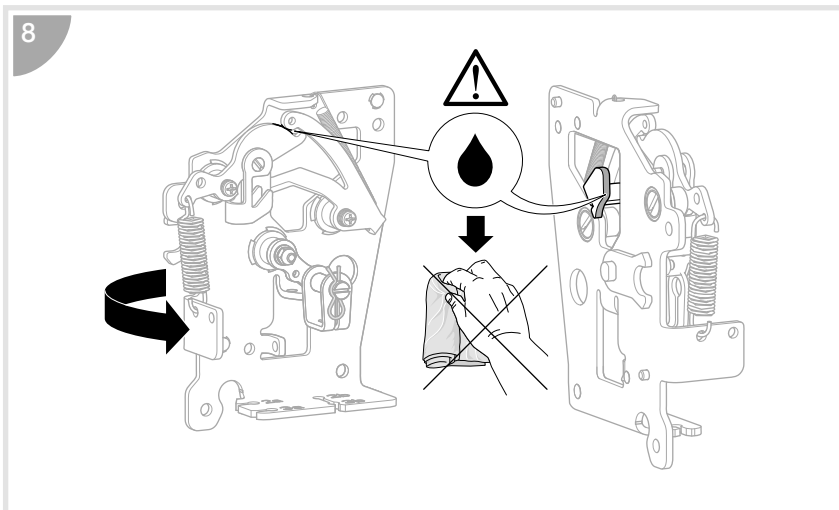
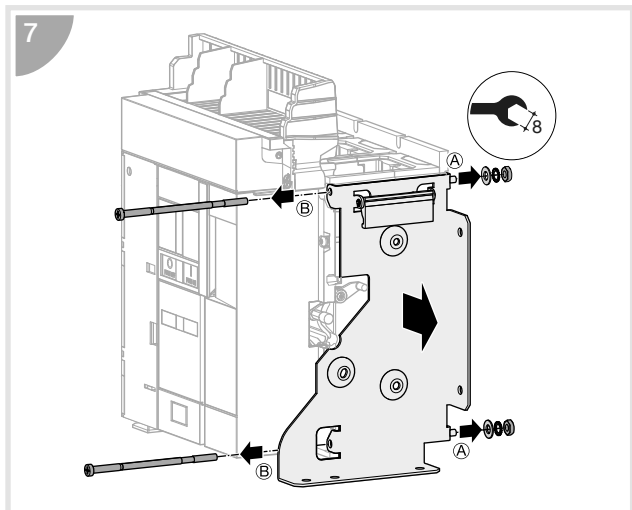
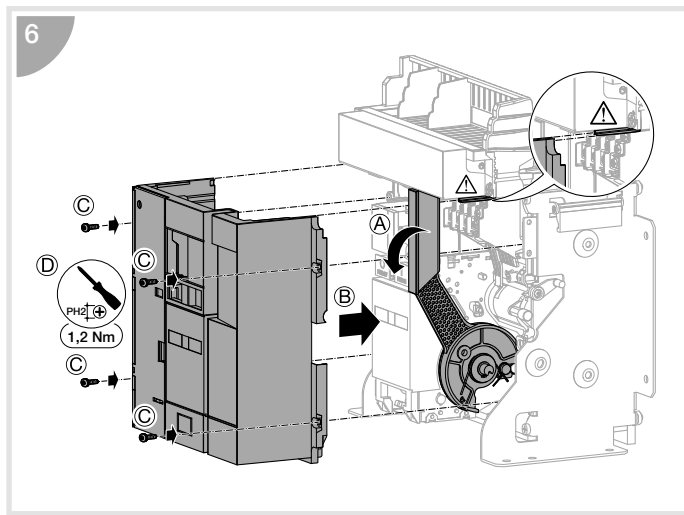
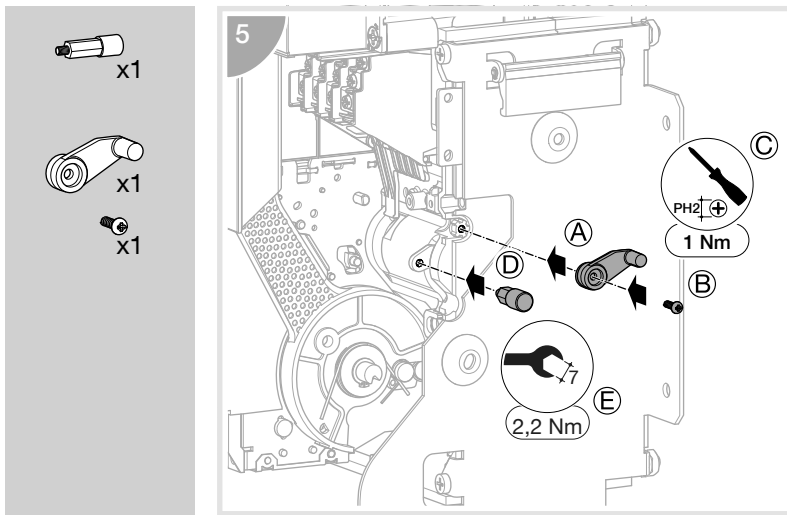


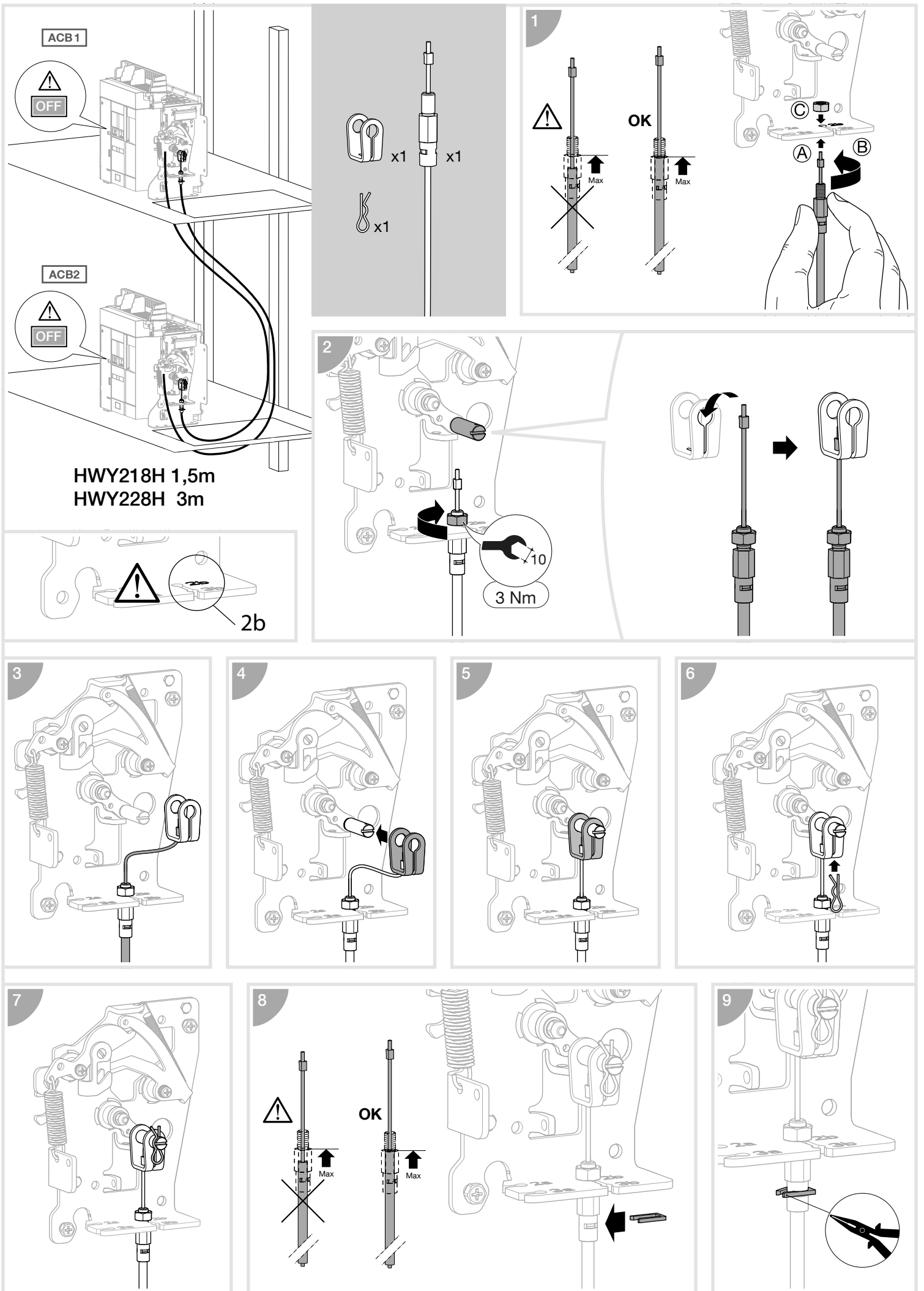
3



4







ACB1



ACB2



HWY218H 1,5m  
HWY228H 3m

2b

3

4

5

6

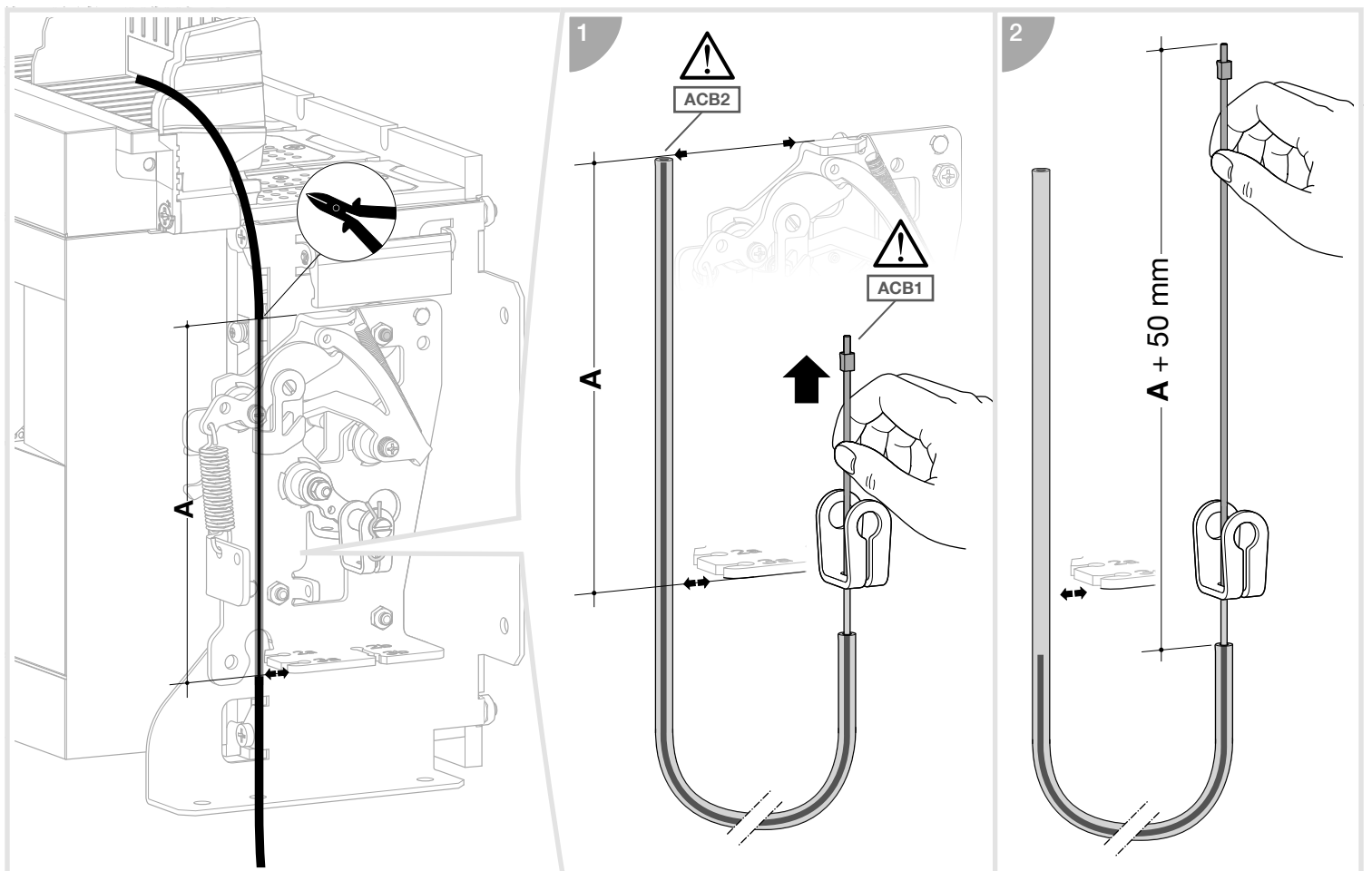
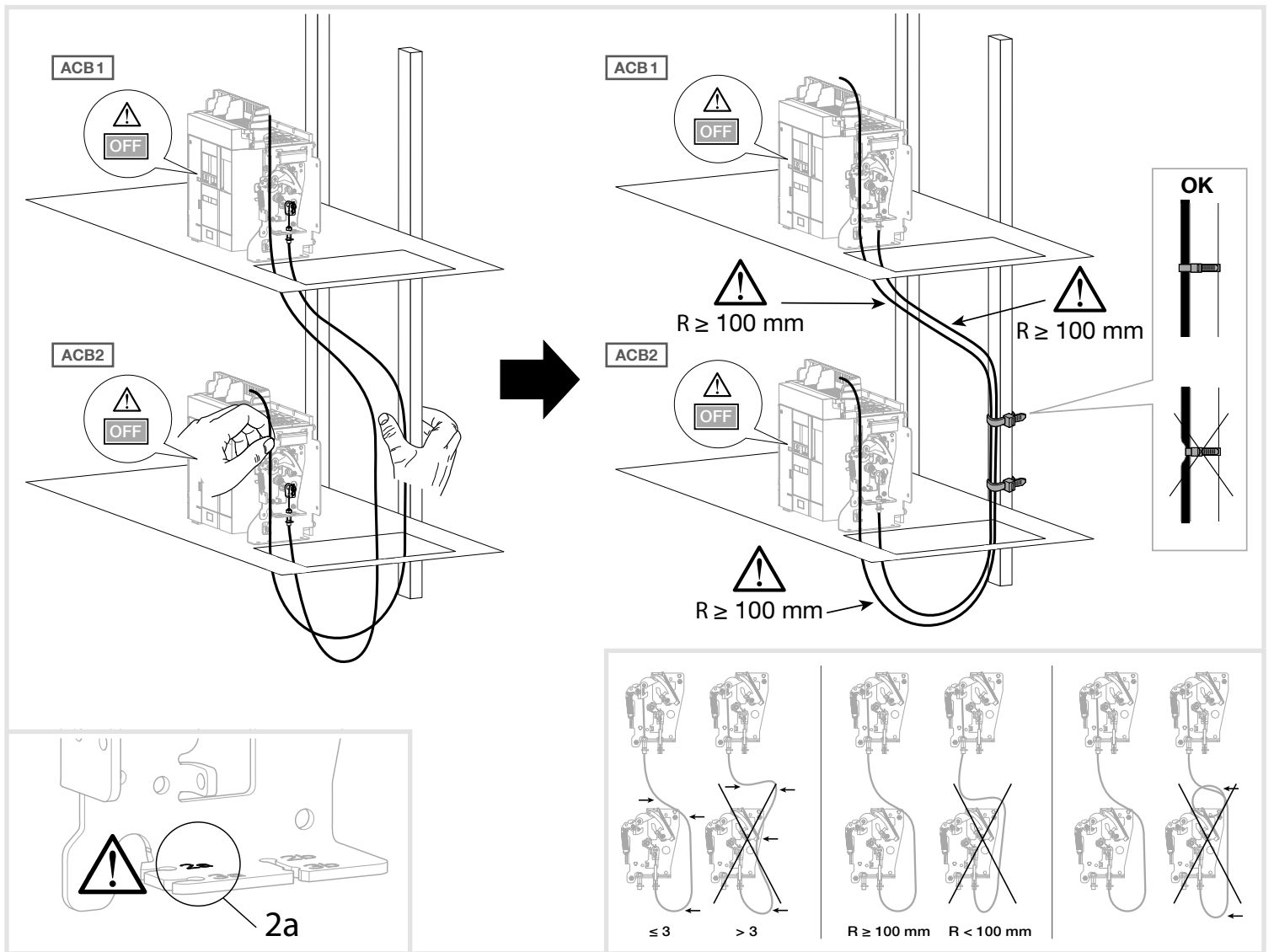
7

8

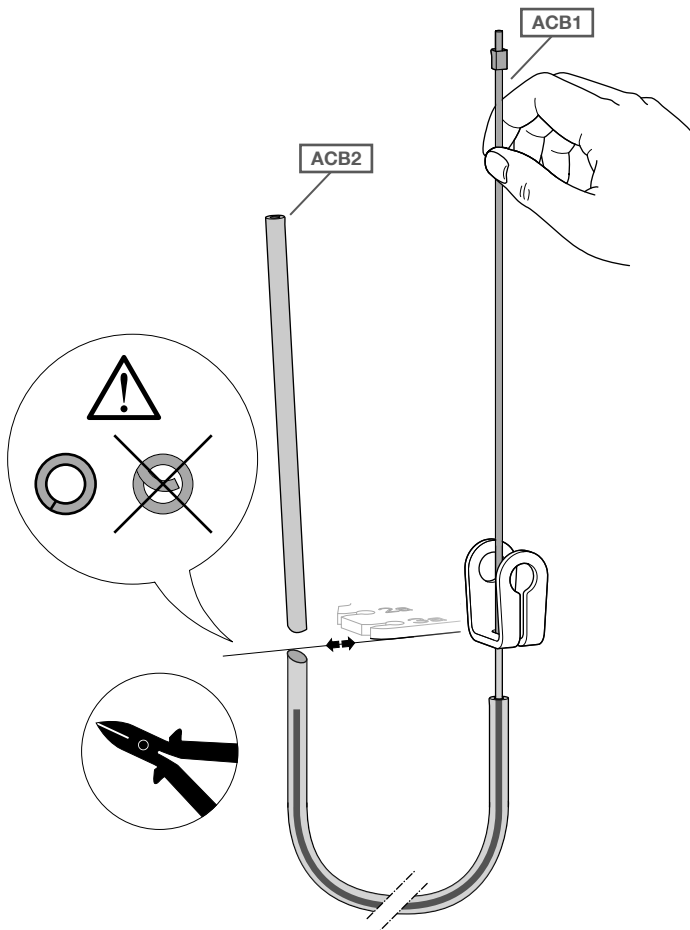
9

1

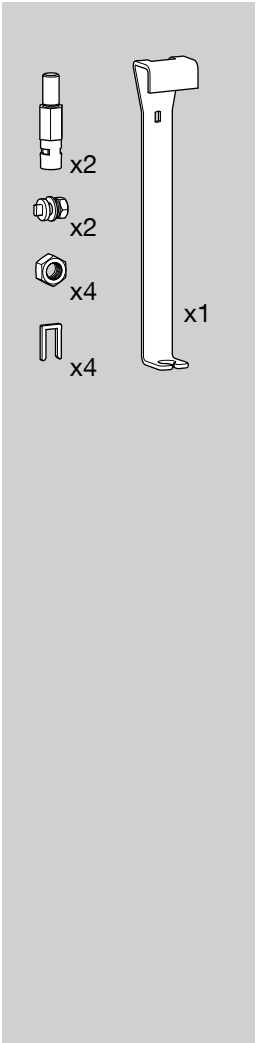
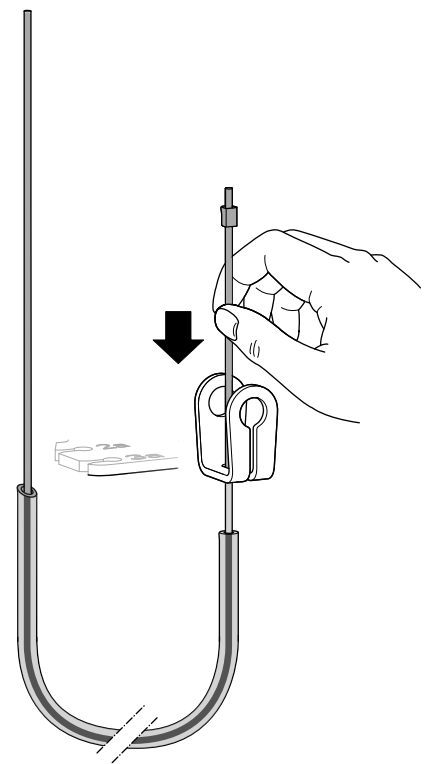
2



3



4



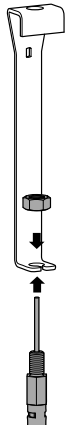
5



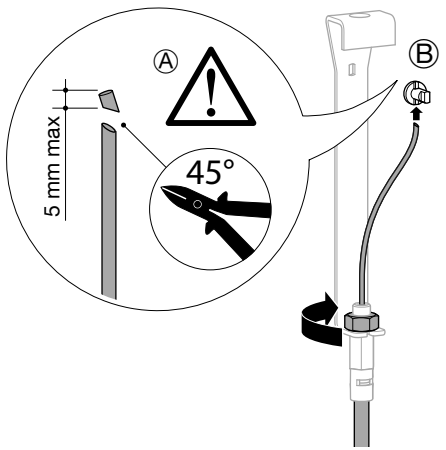
6



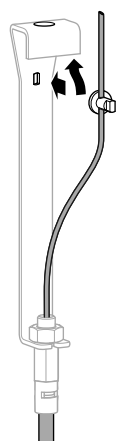
7



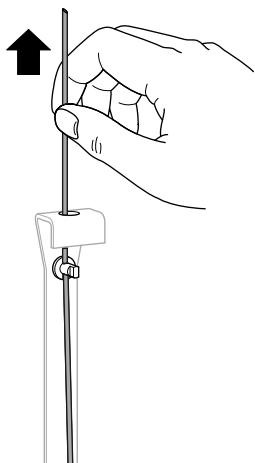
8



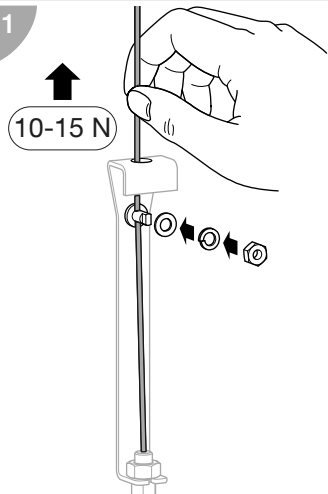
9

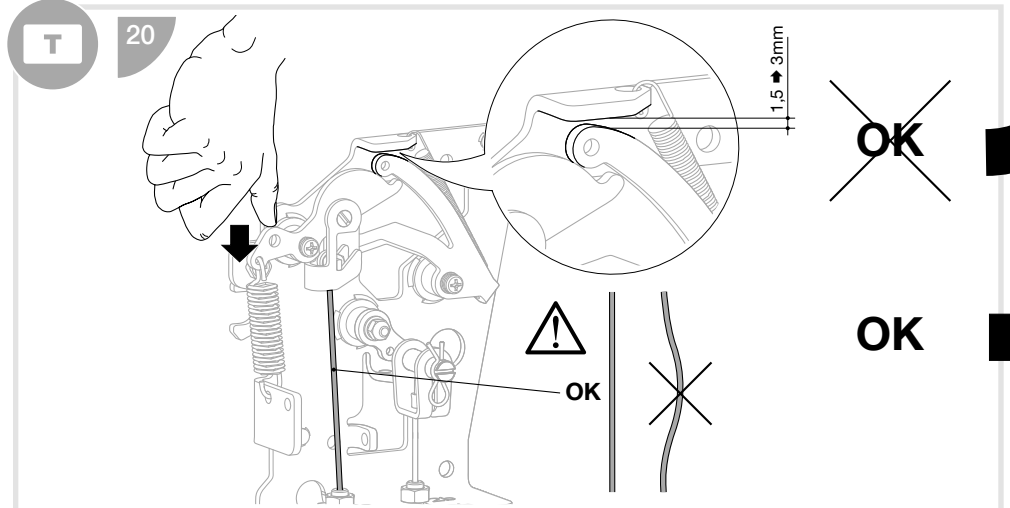
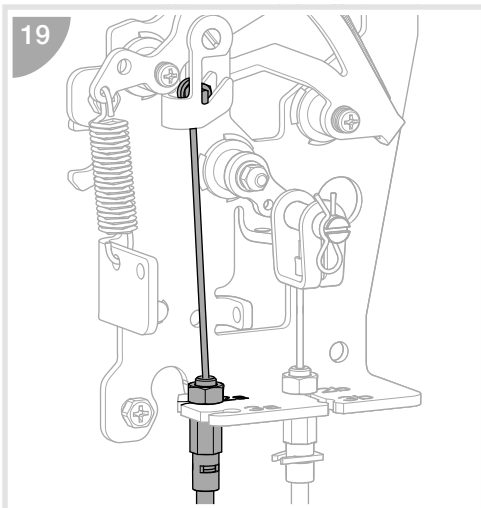
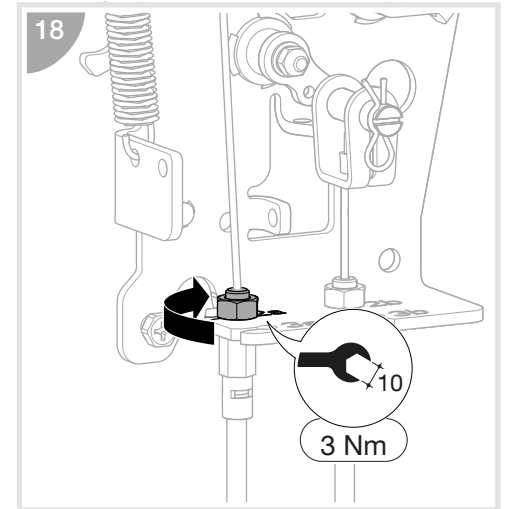
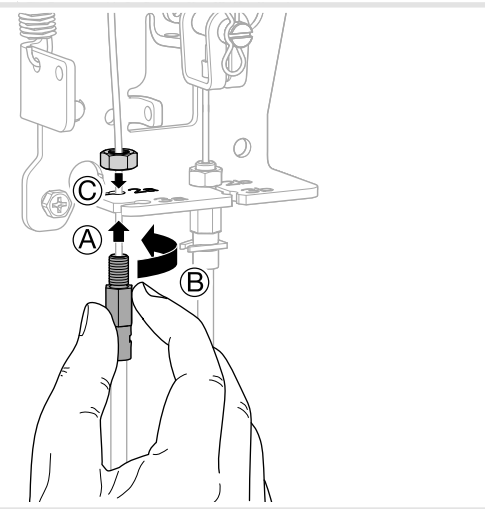
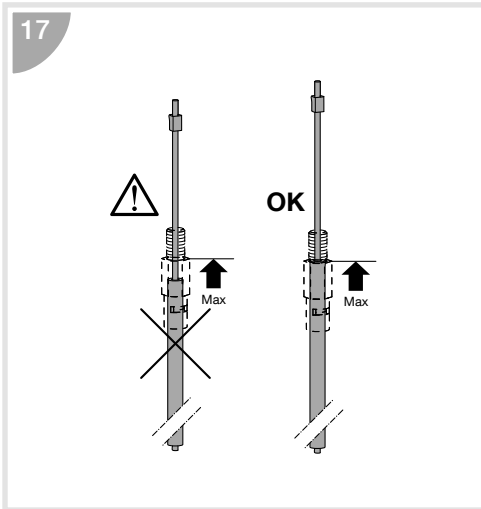
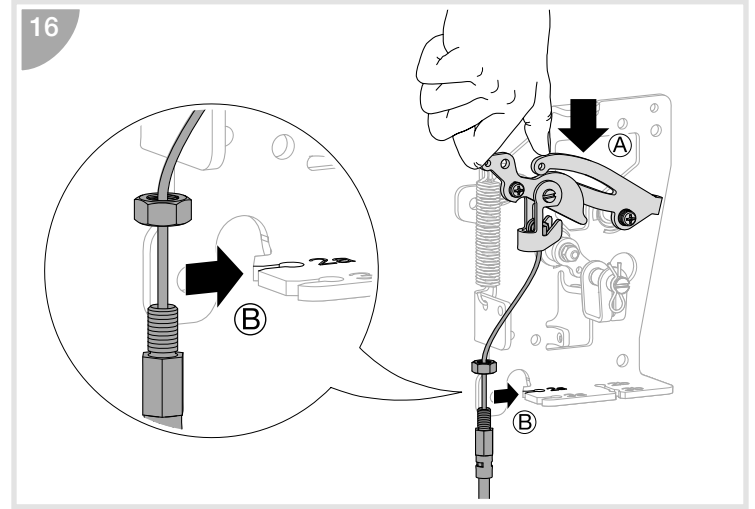
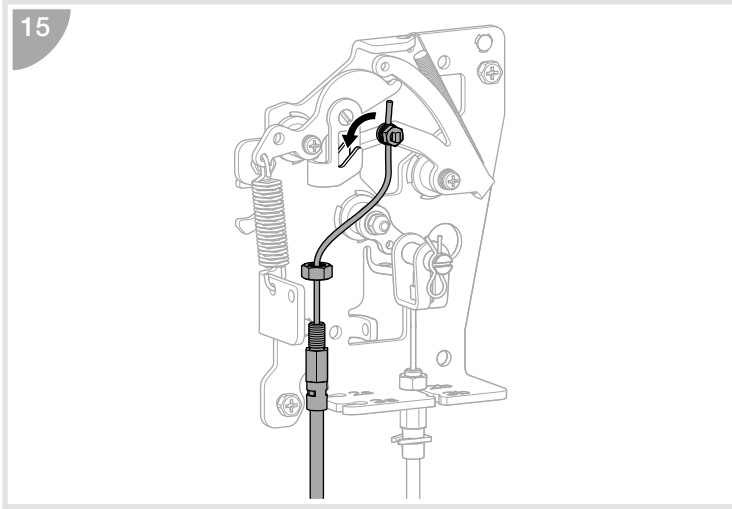
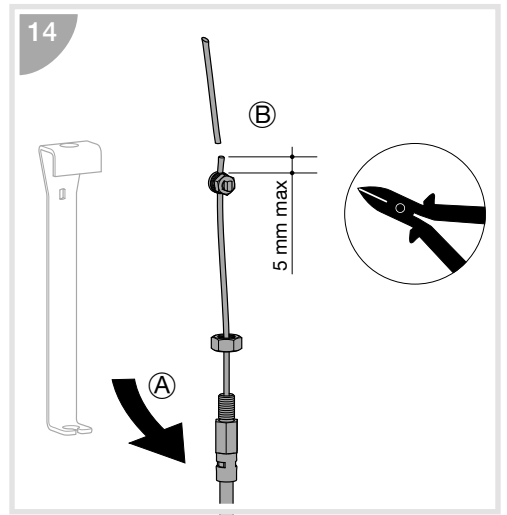
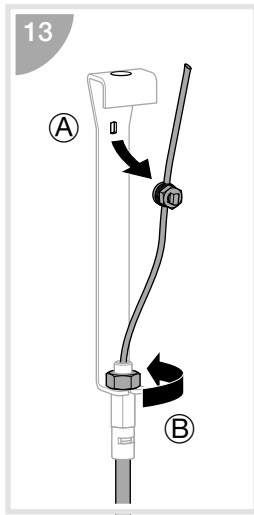
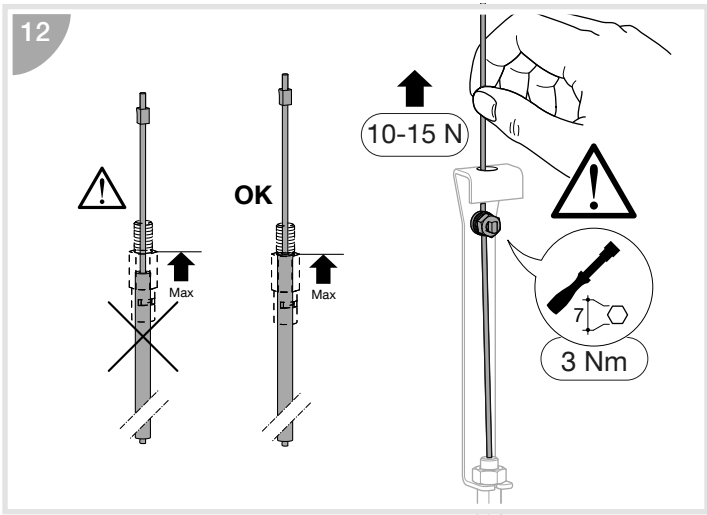


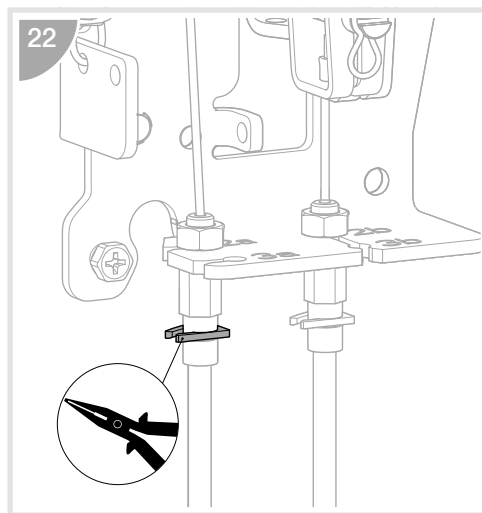
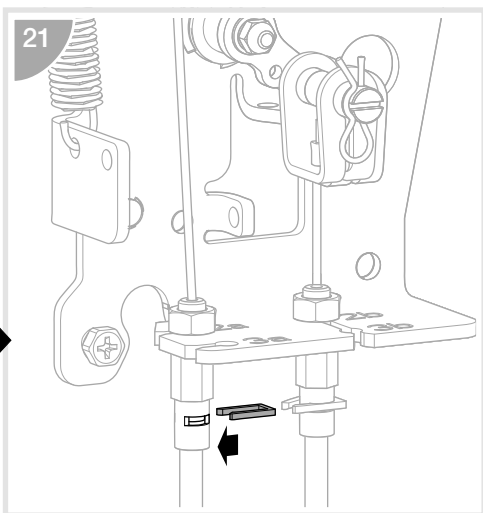
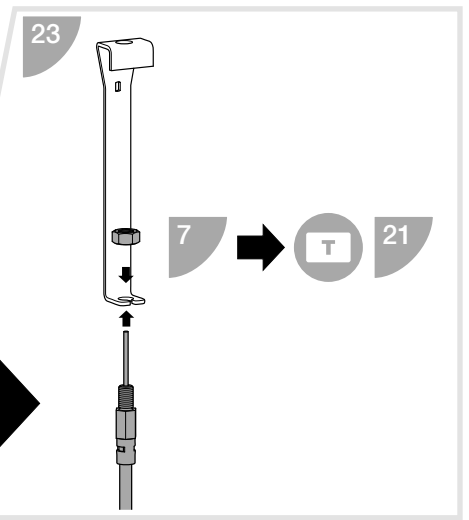
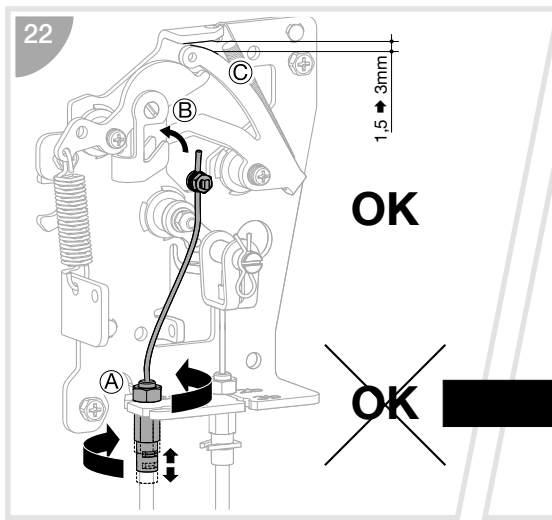
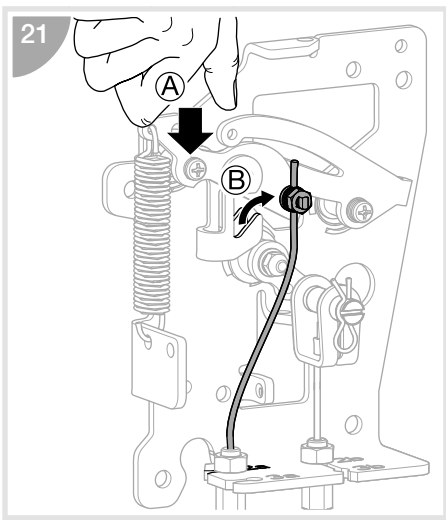
10



11







T

# TEST WARNING

ACB 1	ACB 2
0	0
1	0
0	1
1	1

