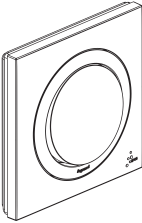
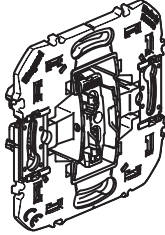
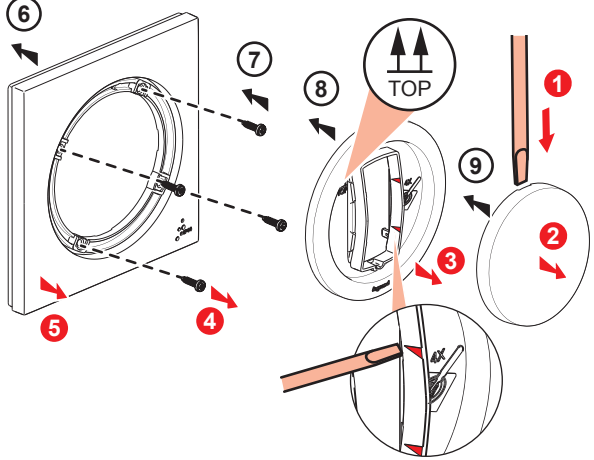
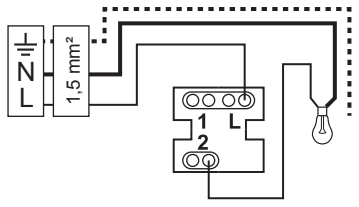


6 000 13

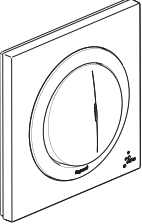


-10°C ... +70°C	-5°C ... +40°C	40 mm	250 V~ 10 AX	12 mm 1,5...2,5 mm ²

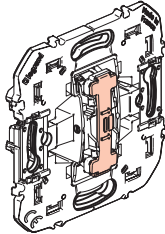
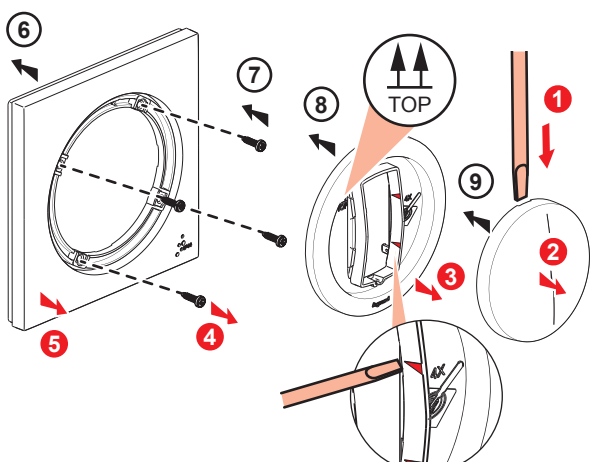
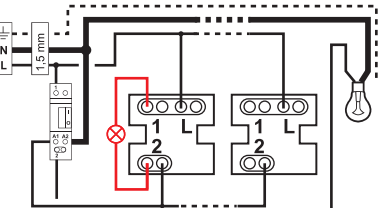




The wiring diagram shows a 1.5 mm² cable connected to a terminal block with terminals 1 and 2. Terminal 1 is connected to the 'L' (line) terminal, and terminal 2 is connected to the load terminal. A light bulb is connected to the load terminal.

6 000 14

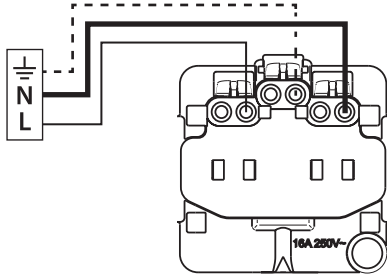
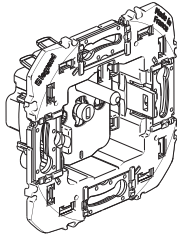
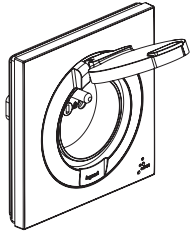


-10°C ... +70°C	-5°C ... +40°C	40 mm	250 V~ 6 A	12 mm 1,5...2,5 mm ²

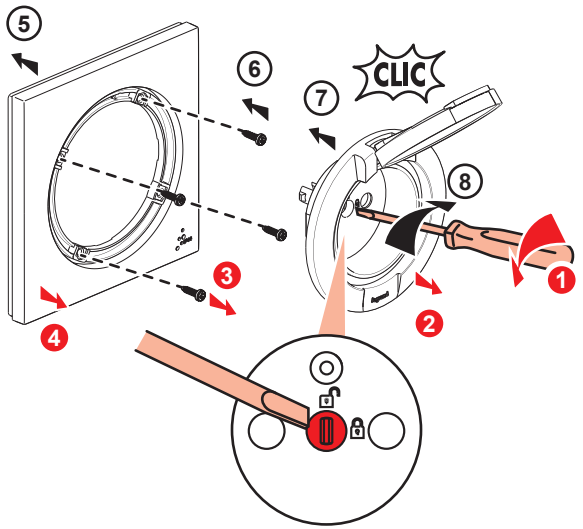




The wiring diagram shows a 1.5 mm² cable connected to a terminal block with terminals 1 and 2. Terminal 1 is connected to the 'L' (line) terminal, and terminal 2 is connected to the load terminal. A light bulb is connected to the load terminal. A red 'X' is marked on the terminal block, indicating a specific connection point.

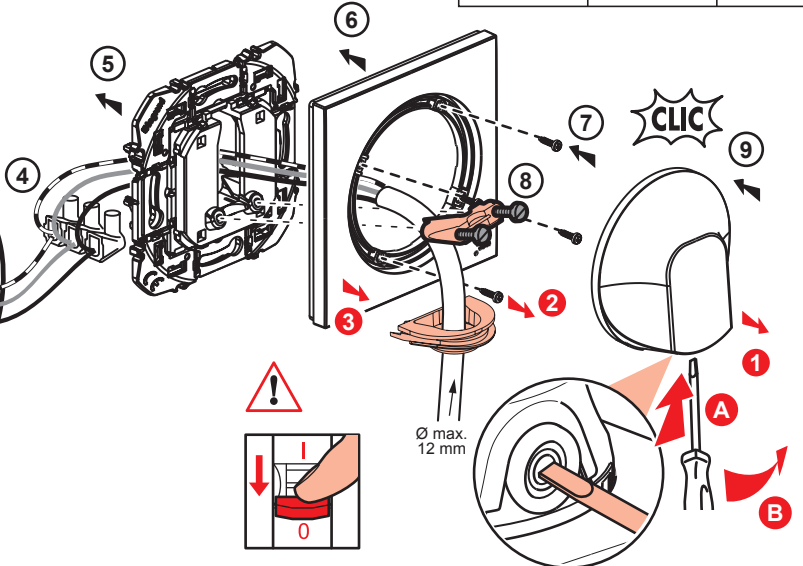
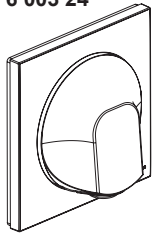
6 003 44



			U, P	
-10°C ... +70°C	-5°C ... +40°C	40 mm	250 V~ 16 A	12 mm 2,5 mm ²



6 003 24



-10°C ... +70°C	-5°C ... +40°C	40 mm		