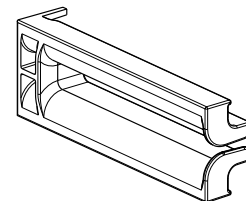
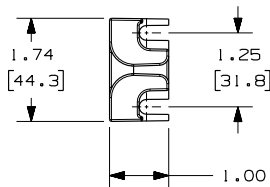
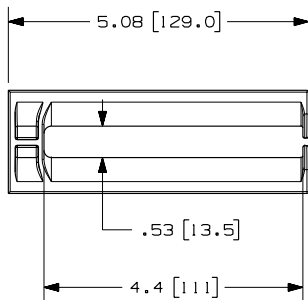
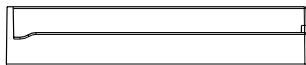


THIS COPY IS PROVIDED ON A RESTRICTED BASIS AND IS NOT TO BE USED IN ANY WAY DETRIMENTAL TO THE INTERESTS OF PANDUIT CORP.

PANDUIT PART NO.	WEIGHT
CMBRC1E	0.11 LBS/EACH 44.4 g/EACH



NOTES:

- VISIT OUR ON-LINE CATALOG AT WWW.PANDUIT.COM FOR A CURRENT LIST OF PRODUCTS APPLICABLE FOR USE WITH THIS PART.
- DIMENSIONS IN PARENTHESIS ARE METRIC.
- COMPONENTS:
2- BEND RADIUS CLIPS
- MAINTAINS A 1/2" BEND RADIUS.
- CAN BE USED WITH ANY EIA STANDARD RACK.
- CAPACITY: 32 CAT 5e PATCH CORDS.

MODEL FILENAME V10186BA_CMBRC1E_07.PRT

CAD FILENAME/LAYERS V10186BA_DC_07A.PRT

PANDUIT CORP. TINLEY PARK, ILLINOIS

CMBRC1E BEND RADIUS CLIP
CUSTOMER DRAWING

UNLESS OTHERWISE SPECIFIED, DIMENSIONAL TOLERANCES ARE:
 INCHES X.X +/- 0.03 [METRIC - MILLIMETER] X.X +/- 0.4 ANGLE X.XX +/- 0.015 X.X +/- 0.4 +/- 1°
 X.XXX +/- 0.005 X.XX +/- 0.13

UNLESS OTHERWISE SPECIFIED,
ALL DIMENSIONS ARE GIVEN
IN INCHES, THIRD ANGLE PROJECTION.

DRAWN BY JDWE

MAT'L:

SCALE 1/2

00 5-11-06 JDWE RELEASED TO PRODUCTION

10186-02

PC

DRAWING NO.

10186-02

DWG

A

REV	DATE	BY	CHK	DESCRIPTION	ECN	R	CUST	SUP	OTH
-----	------	----	-----	-------------	-----	---	------	-----	-----

CHK'D

SIZE