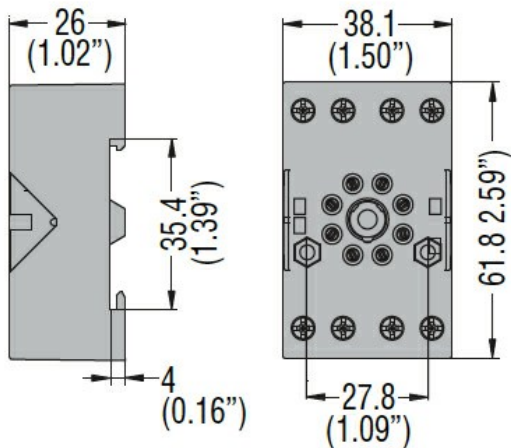


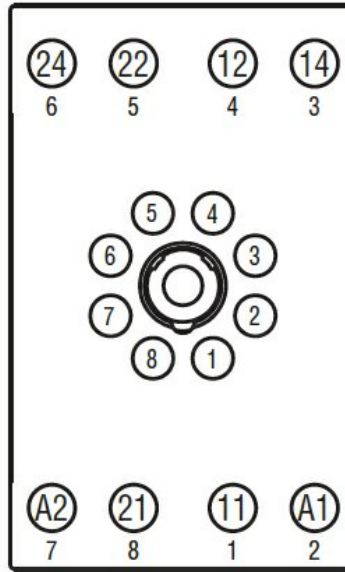
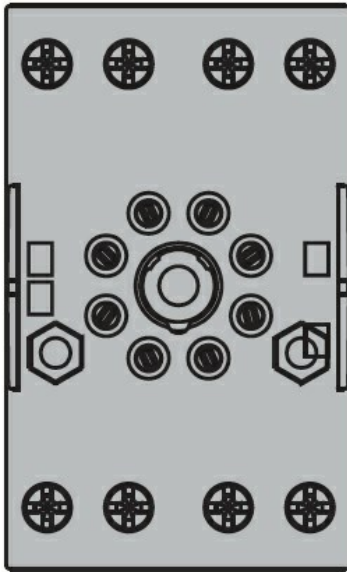


Product designation	SOCKET		
Product type designation	HR7XS1		
<b>Contact characteristics</b>			
Rated insulation voltage $U_i$ IEC/EN	V	250	
Rated impulse withstand voltage $U_{imp}$	kV	4	
<b>Mechanical features</b>			
Socket screw tightening tool (cross / flat blade)	Phillips 1/4.5mm		
Conductor section			
	AWG/Kcmil	min	20
		max	14
	IEC	min	mm <sup>2</sup> 0.5
		max	mm <sup>2</sup> 2.5
Fixing	On 35mm DIN rail and with screw		

**Dimensions**



**Wiring diagrams**



### Certifications and compliance

#### Compliance

IEC/EN 61810

#### Certificates

CSA

cURus

EAC

### ETIM classification

ETIM 8.0

EC001456 -  
Relay socket