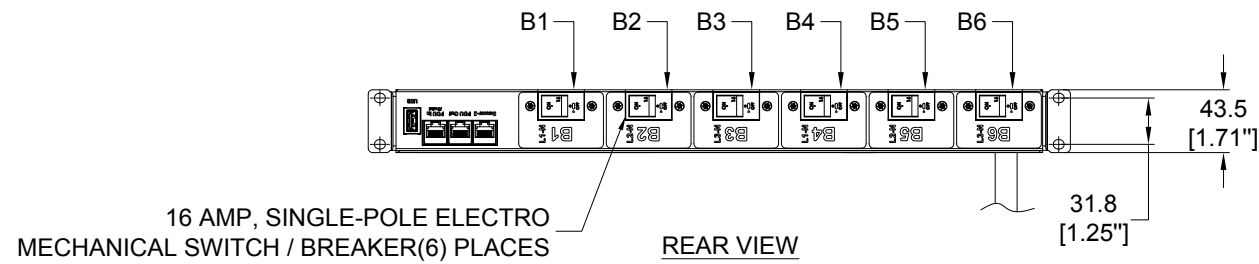
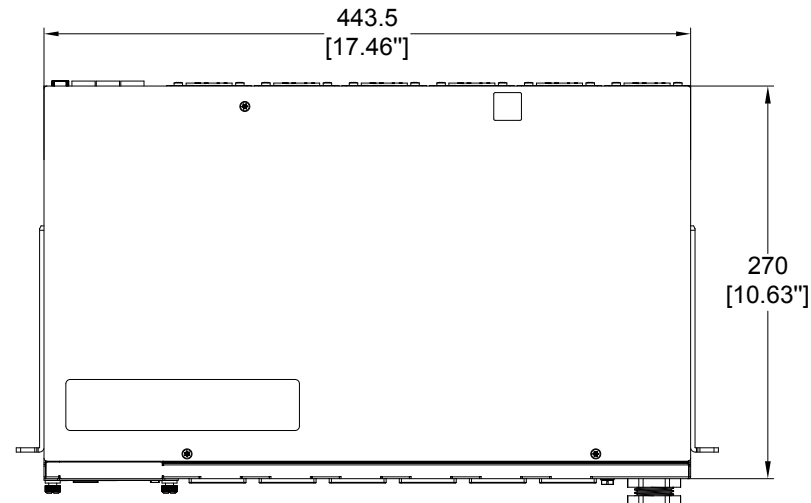


2

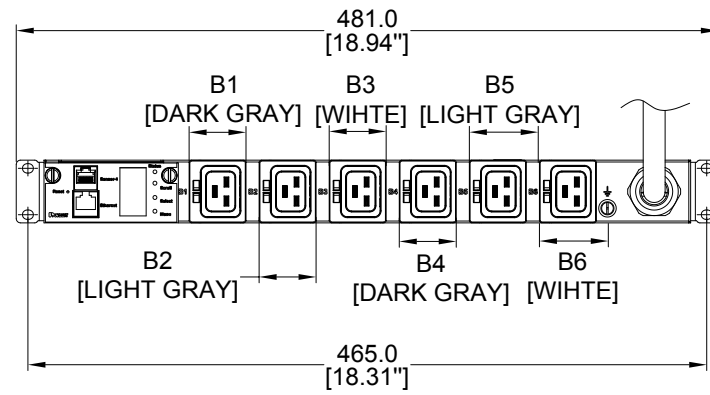


16 AMP, SINGLE-POLE ELECTRO MECHANICAL SWITCH / BREAKER(6) PLACES

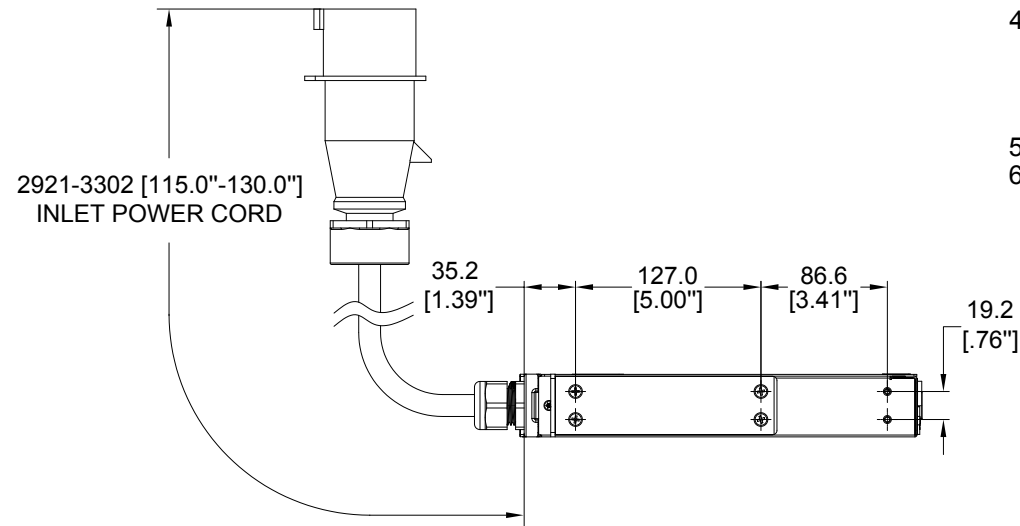
REAR VIEW



TOP VIEW



FRONT VIEW



SIDE VIEW

1

PANDUIT P/N	WEIGHT
P06D39M	8.8kg

NOTES:

1. IDENTIFICATION:

UNIT TYPE:	MONITORED INPUT
ORIENTATION:	HORIZONTAL, 1U
OUTLET QTY&TYPE:	(6) C19
BREAKER QTY&TYPE:	(6) 16AMP, SINGLE-POLE
INPUT VOLTAGE:	200-240/346-415VAC, WYE
INPUT CURRENT:	32A
INPUT PHASE:	THREE-PHASE WYE
RATED POWER:	22.0kVA
INPUT PLUG:	IEC 60309 3P+N+E 6H 32A
INPUT CORD LENGTH:	3m [10']

2. ACCESSORIES:

- POCKET GUIDE
- QTY: (4) M6 X 12 PAN HEAD MACHINE SCREWS
- QTY: (4) M6 CAGED NUT

3. RoHS COMPLIANT

4. VISIT PANDUIT'S ON-LINE CATALOG AT WWW.PANDUIT.COM FOR ADDITIONAL PRODUCT INFORMATION CONTAINED IN THE SPECIFICATION SHEET AS WELL AS A CURRENT LIST OF PRODUCTS APPLICABLE FOR USE WITH THIS PART

5. MAXIMUM ALLOWABLE INPUT POWER = 22.0kW

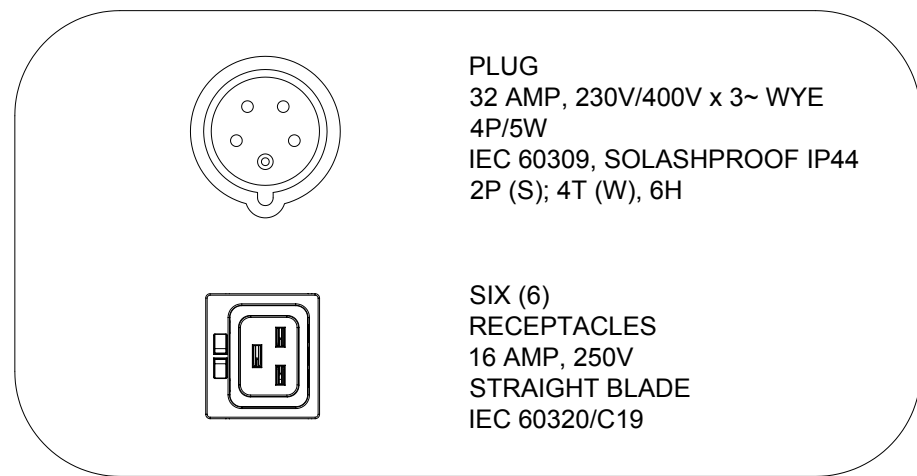
6. INSTALLATION SHALL COMPLY WITH ALL APPLICABLE NATIONAL, STATE, AND LOCAL CODES

B

B

A

A



**PLUG**  
32 AMP, 230V/400V x 3~ WYE  
4P/5W  
IEC 60309, SOLASPROOF IP44  
2P (S); 4T (W), 6H

**SIX (6)  
RECEPTACLES**  
16 AMP, 250V  
STRAIGHT BLADE  
IEC 60320/C19

REV	DATE	BY	CHK	APR	DESCRIPTION	ECN
01A	09/21/2017	GEORGE	MIM	EDM	INITIAL RELEASE	P06D39M

WE ASK THAT YOU CHECK FULLY THE DIMENSIONS, NOTES, AND SIGN THE CLIENT SIGNATURE BOX. THE JOB WILL NOT PROGRESS WITHOUT SIGNED APPROVAL. PLEASE DO NOT DELAY IN RETURNING PROOF AS IT WILL AFFECT DELIVERY		SIGN
		DATE
		PRINT
TITLE INTELLIGENT SERIES PDU P06D39M CUSTOMER DRAWING		
ITEM REVISION NAME:		<b>PANDUIT</b>
DATASHEET FILE NAME:		
UNLESS OTHERWISE SPECIFIED DIMENSIONAL TOLERANCE ARE: mm [IN]		MATERIAL/COLOR: N/A
Tolerance(mm) 0<L<50 ±0.5 50<L<250 ±1.0 250<L<500 ±1.5 500<L<1000 ±2.5 1000<L<2000 ±4.0		DRAWING NUMBER: P06D39M_DA
THIRD ANGLE PROJECTION	DRAWN BY: DATE GEORGE 09/21/2017	SCALE NONE
	CHK SEAN	SHT 1 OF 1

2

1

SCALE  
B