

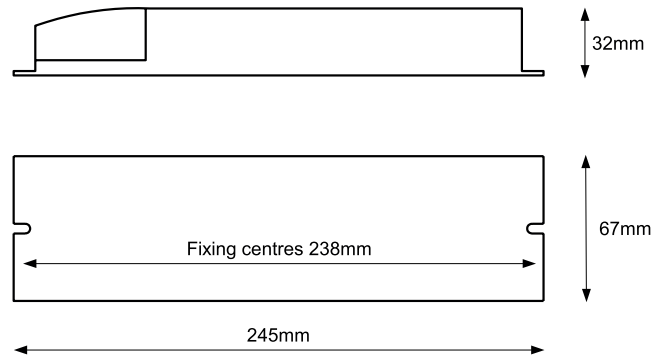
AURORA®

EN-DLEM4 EMERGENCY PACK

PLEASE READ THESE INSTRUCTIONS CAREFULLY BEFORE INSTALLATION
LEAVE A COPY FOR THE USER / MAINTENANCE ENGINEER FOR FUTURE REFERENCE

Product Specification:

-Mains Voltage:	230VAC+/- 10%
-Mains Frequency:	50-60Hz
-Power Consumption (excluding external driver):	2W
-Emergency output voltage range:	10 - 80V DC
-Emergency Duration:	3 Hours
-Battery:	1.6Ah LiFePO4
-Allowed ambient temp:	+5°C to +35°C
-Min/Max conductor sizes:	Solid or stranded 0.2-1.5mm ²
-Weight:	0.3kg
-Charging time:	24 hours
-Protection class:	1
-Degree of protection:	IP20
-Min ceiling cut-out	75mm diameter
-Em indicator type:	Green charge indicator LED with 500mm leads and bezel (OB1)
-Em module complies with:	EN61347-1, EN61347-2-7, EN55015, EN61000-3-2, EN61547
-Suitable for installation to:	EN60598-1 & EN60598-2-22
-Ideal for use with:	LED panels or downlights. See www.auroralighting.com for compatibility



EN-DLEM4 is an effective solution for emergency conversion of luminaires using LED arrays. The compact, robust housing is supplied containing our LED emergency driver, re-chargeable LiFePO4 battery and connection terminals. A removable end cover provides easy access for wiring and its compact low-profile design allows installation through a ceiling cut-out of just 75mm diameter. This product offers an emergency solution for a wide range of applications and can be used with a separate mains driver for Maintained applications. It is also available pre-wired with cable assemblies for simple 'plug-and-play' convenience.

British designed and manufactured emergency driver technology will run LED lamps or arrays from 10V – 80V, so making it easy to convert your existing LED luminaire without the need for separate 'emergency' LEDs or connectors.

Disclaimers:

This product and its associated accessory products have been manufactured and designed to comply with the requirements of EN60598-2-22 in addition to the standards detailed on page 1 of this document. Operation beyond the parameters specified in this document and the associated standards may result in reduced performance and ultimate premature failure, with the warranty made void. It is the users responsibility to ensure full compatibility of this product for the intended application and for compliance of the emergency conversion to relevant Standards. The user should be aware of the environment to which the luminaire and these components are used and follow the luminaire manufacturer's specifications.

Precautions:

This product should be installed as per the following guidelines, electric shock or damage to the product may result if incorrectly installed. The luminaire should be installed by a qualified and competent electrician and in accordance with the current IEE wiring regulations (BS7671) and building regulations.

The emergency pack is for use with LED Modules only and can be supplied in several different wiring formats. Please refer to the appropriate diagram on page 2 of this leaflet for details of mains supply, LED driver, battery and lamp connections.

If the luminaire is to be mounted in an external location, consider the battery as temperatures below 5°C may be frequent in cold months. In this case, the design life of 4 years will be compromised and more frequent battery replacements may be needed. Likewise, if the luminaire is situated in a hot environment where the temperature is maintained at 25°C or above, or sited next to large panes of glass in which case it may be exposed to thermal magnification. Best effort should be made to keep the unit away from direct sources of heat, i.e. mains LED drivers and LED lamps. Avoid obstructing airflow around the sides of the unit and other electronic products. Allow a clearance of 10mm or more wherever possible.

If other devices are connected to the un-switched supply, please be aware that to maintain compliance with EN60598-2-22 that in event of its failure it will not affect other devices on the same circuit. In this case we recommend the use of separate fused terminal blocks to each device. Internal fuses used within this product are not user serviceable.

Installation notes:

Wire Preparation: maximum strip length 10mm (recommended 6mm)
Min/max Conductor sizes: 0.5 - 1.5 mm².

A recessed plastic bezel can be found inside the packaging carton to assist installation of the indicator LED. A 14-16mm hole should be drilled in the required location so it is visible during normal use.

Lamp Connections should be kept as short as possible and under no circumstances exceed 1m for self-contained luminaires.

The unit can be secured using both fixing points with M4 screws or similar.

Before use, the battery must be plugged in via the loose black & red cable connector.

The unit provides reinforced insulation between the mains supply and battery charging circuit and employs self-resetting protection against short-circuit of battery terminals. Normal charging will resume automatically once a fault is removed. The mains supply should always be disconnected when servicing the luminaire.

Once all the necessary connections have been made, affix cable clamps to secure cables in place, place the plastic end cover on and fix with screws provided to prevent unauthorised access.

When the un-switched mains supply is turned on, the green indicator LED should be illuminated as follows:

- LED on: Mains supply OK, battery connected and charging.
- LED off: Mains supply is off [or low voltage, charge fault, battery fault]

Commissioning:

Once the luminaire has been installed and basic emergency Functionality checked, the battery should be allowed to charge for a minimum period of 24 hours before testing for its rated duration. If it is anticipated that the un-switched supply may be interrupted, it is strongly recommended that the battery is left disconnected and commissioning is delayed until the supply is stable. If the luminaire has been stored for a number of months, it may be necessary to repeat the charge/discharge process several times to re-condition the battery. After successful commissioning, the battery box label should be marked with the date of the test and the Engineer responsible.

Emergency Lighting 'standard' or 'manual' Test:

The following minimum ongoing inspections and tests should be carried out:

Monthly: Momentarily switch off the mains power supply to the lighting unit. Inspect all emergency lights for satisfactory operation.

Yearly: Switch off the mains power supply to the lighting unit. Leave the unit to run for the rated period (e.g. three hours). The lights should remain operable from the battery for the whole period.

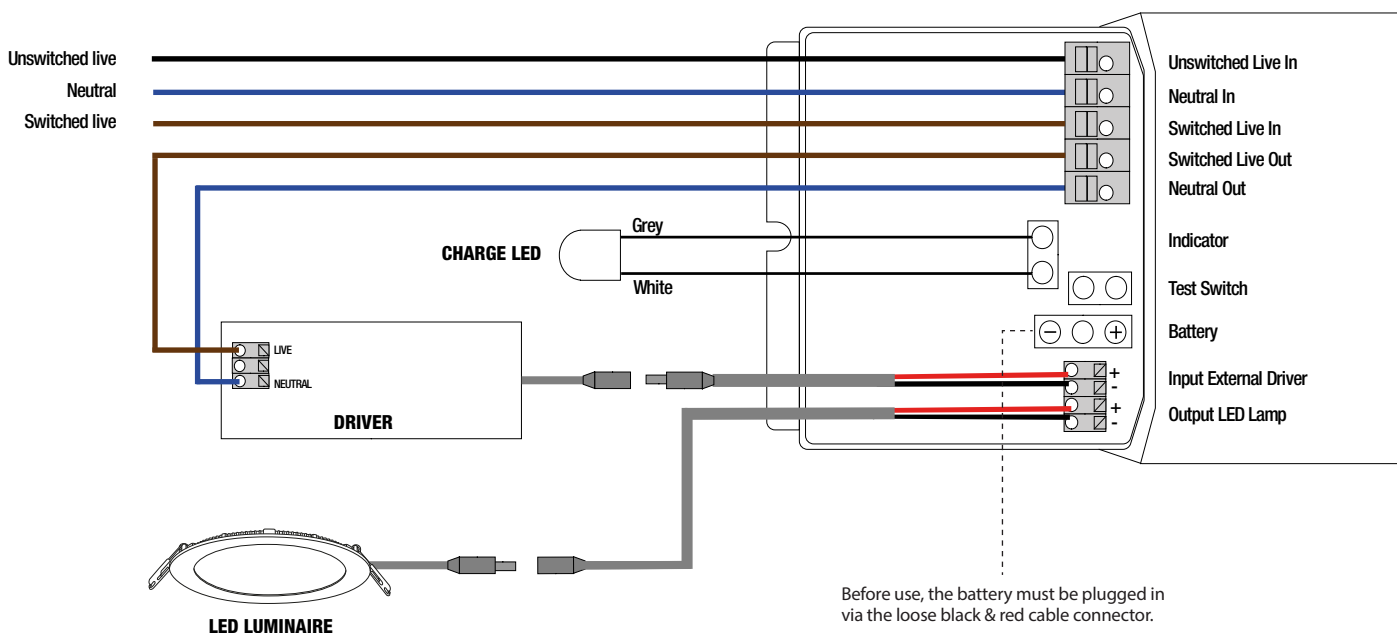
Any defects should be noted and rectified by a competent person as soon as possible. Please be aware that further inspection / testing may be required, e.g. by risk assessment / local legislation.

Batteries and Disposal:

The battery has a designed service life of 4 years and must be replaced in a timely manner to ensure the integrity of the emergency lighting system is maintained. In any case, the battery should be replaced when it no longer provides the rated duration (3 hours). The manufacturer of the emergency pack is committed to fulfill its obligations as a producer of batteries used in emergency lighting applications. End-of-life batteries may either be returned to the emergency pack manufacturer at the customers cost and arrangements will be made to ensure their correct disposal. Alternatively it may be more convenient for the customer to deliver end-of-life batteries to site(s) of authorized treatment facilities at their cost and it will be ensured that they are accepted back and subsequently treated to the standard required by the regulations.



External Wiring connections with jack plug connectors



Emergency Installation and Inspection

Installation / Test Record	Serial / Luminaire Number:			
	Installed By:		Date:	
	Commissioned By:		Date:	

	Year 1		Year 2		Year 3		Year 4*	
	Signed	Date	Signed	Date	Signed	Date	Signed	Date
Monthly test								
1								
2								
3								
4								
5								
6								
7								
8								
9								
10								
11								
12								

Environmental Protection (W.E.E.E.) – Aurora’s WEEE Reg.No. WEE/BG0130YX (UK Only)

 Waste Electrical & Electronic Equipment Regulations (WEEE) requires that any of our products showing this marking (left) must not be disposed of with other household or commercial waste. Aurora does not levy any WEEE disposal charges to its customers for affected WEEE related products. To prevent possible harm to the environment or human health from uncontrolled waste disposal, please separate any such product from other waste types and recycle it responsibly at your local facilities. Check with your Local Authority, Recycling Centre or retailer for recycling advice. If, when you purchased any Aurora product, your supplier included a WEEE disposal fee, you should then contact your supplier for advice on his take back of the product for the correct disposal.

WARRANTY

This product is guaranteed for a period of 5 years from the date of purchase. The guarantee is invalid in the case of improper use, installation, tampering, and removal of the Q.C. date label, installation in an improper working environment or installation not according to the current edition of the National Wiring Regulations. Should this product fail during the guarantee period it will be replaced free of charge, subject to correct installation and return of the faulty unit. Aurora does not accept responsibility for any installation costs associated with the replacement of this product. This warranty is in addition to the statutory rights in your country of purchase. Aurora reserves the right to alter specifications without prior notice.