



Micro PLC expansion module, 4 PT100 temperature inputs
LRE04PD024
24VDC
Nr. 4 analog (PT100)

Product designation

Product type designation

Auxiliary supply voltage

Number of inputs

Nr.

4 analog (PT100)

Power supply

Rated auxil. supply voltage

24VDC

Operating voltage range

20.4...28.8VDC

Average current consumption

mA

70

Analog inputs

Number of analog input

Nr.

4

Analog input type

PT100 temperature sensor

Inputs signal range

V

-100...+600°C

Resolution

0.1°C

Analog outputs

Number of analog output

Nr.

4

Connections

Terminals type

Screw

Ambient conditions

Temperature

Operating temperature

min

°C

-20

max

°C

+55

Storage temperature

min

°C

-40

max

°C

+70

Relative humidity

%

<90% (non condensing)

Housing

Mounting

35mm DIN rail or screw fixing (M4x15mm)

Degree of protection

IP20

Dimensions (W x H x D)

mm

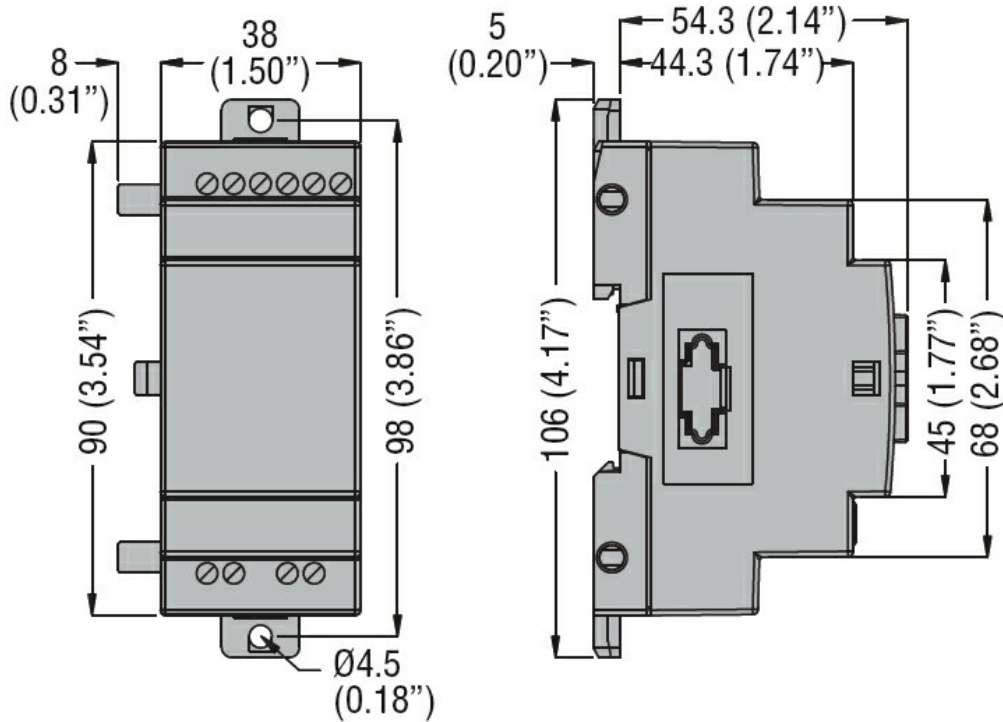
38 x 106 x 59.3

Weight

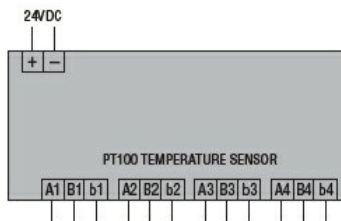
g

160

Dimensions



Wiring diagrams



Certifications and compliance

Compliance

CSA C22.2 n° 142

IEC/EN 61131-2

UL508

Certificates

cULus

EAC

ETIM classification

ETIM 8.0

EC001420 - PLC
analogue I/O-
module