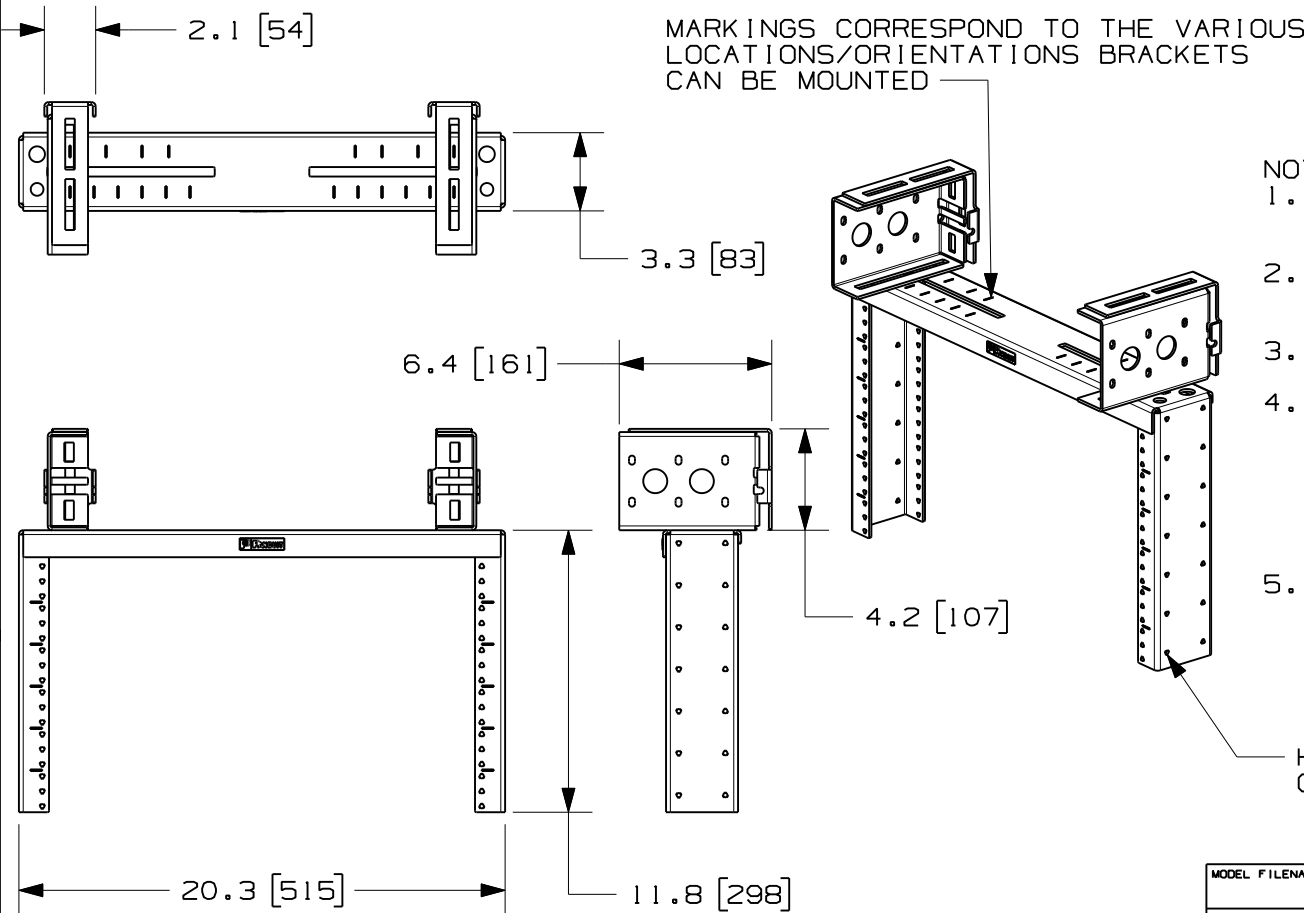


THIS COPY IS PROVIDED ON A RESTRICTED BASIS AND IS NOT TO BE USED IN ANY WAY DETRIMENTAL TO THE INTERESTS OF PANDUIT CORP.



PANDUIT PART NO.	WEIGHT
PZLRB6U	12.86 LBS/EACH 5.84 kgs/EACH

NOTES:

- SEE CURRENT CATALOG FOR ADDITIONAL PART NUMBER SUFFIXES TO INDICATE COLOR AND OR PACKAGE QUANTITY.
- SEE CATALOG FOR COMPLETE LIST OF PARTS APPLICABLE FOR USE WITH THIS PART.
- DIMENSIONS IN PARENTHESES ARE IN METRIC.
- PART INCLUDES:
  - 1- MAIN BRACKET
  - 2- RECTANGULAR BRACKETS
  - 2- L-SHAPED ATTACHMENT BRACKETS
  - 6- 3-8/16 HEX SERRATED FLANGE NUTS
  - 6- 3-8/16 CARRIAGE BOLTS
  - 6- #12-24 SCREWS (4 PACK)
- CABLE MANAGEMENT OPTIONS:
  - BEND RADIUS POSTS (PZBR4)
  - VERTICAL D-RINGS (CMVDR2)

HOLES FOR ATTACHING CABLE MANAGEMENT PRODUCTS (SEE NOTE 5)

MODEL FILENAME	V10521AQ/00
CAD FILENAME/LAYERS	V10521AQ_DC/00A

PANDUIT CORP. TINLEY PARK, ILLINOIS

PANZONE OVERHEAD DISTRIBUTION RACK (PZLRB6U) CUSTOMER DRAWING

UNLESS OTHERWISE SPECIFIED, DIMENSIONAL TOLERANCES ARE:	UNLESS OTHERWISE SPECIFIED, ALL DIMENSIONS ARE GIVEN IN INCHES, THIRD ANGLE PROJECTION.
INCHES X.X +/- 0.03 X.XX +/- 0.015 X.XXX +/- 0.005	[METRIC - MILLIMETER] X +/- 0.8 X.X +/- 0.4 X.XX +/- 0.13 ANGLE +/- 1°

DRAWN BY PM	MAT'L: N/A	SCALE 1:8
DATE 6-6-11		DRAWING NO. V10521AQ-DC
CHK'D SRK		DWG A SIZE

OOA	6-6-11	PM	SRK	RELEASED TO PRODUCTION	V10521AQ-DC								
REV	DATE	BY	CHK	DESCRIPTION	ECN	R	CUST	SUP	OTH				