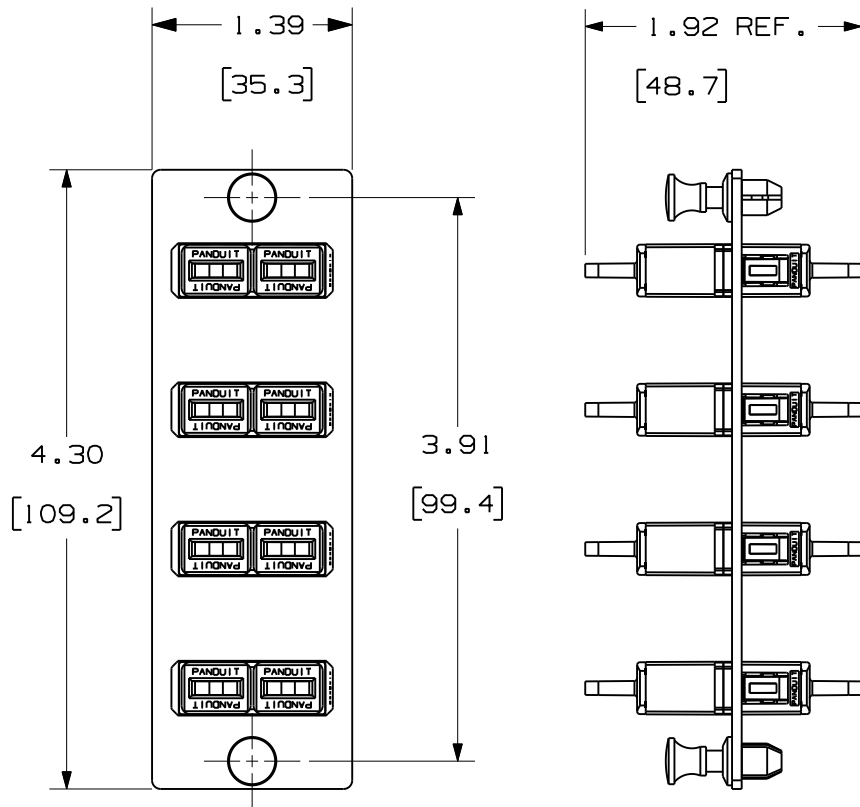


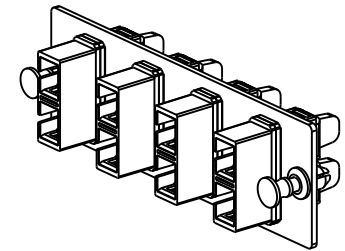
THIS COPY IS PROVIDED ON A RESTRICTED BASIS AND IS NOT TO BE USED IN ANY WAY DETRIMENTAL TO THE INTERESTS OF PANDUIT CORP.



PANDUIT P/N	ADAPTER COLOR	SPLIT SLEEVE TYPE
FAP4WAQDSC	AQUA	PHOS BRONZE
FAP4WBUDSC	BLUE	
FAP4WEIDSC	ELECTRIC IVORY	
FAP4WBLDSC	BLACK	
FAP4WAGDSCZ	APC GREEN	ZIRCONIA
FAP4WAQDSCZ	AQUA	
FAP4WBUDSCZ	BLUE	


NOTES:

1. SEE CURRENT CATALOG FOR PART NUMBER SUFFIXES TO INDICATE COLOR AND/OR PACKAGE QUANTITIES.
2. SEE CATALOG FOR COMPLETE LIST OF PARTS APPLICABLE FOR USE WITH THIS PRODUCT.
3. MATERIALS:
  - a. PLATE: C.R.S. POWDER COATED
  - b. ADAPTER: COMPOSITE
  - c. SPLIT SLEEVE: SEE TABLE
4. DIMENSIONS IN BRACKETS ARE METRIC.



REV	DATE	BY	CHK	DESCRIPTION	ECN	R	CUST	SUP	OTH
01	01-13-05	EFK		RELEASED TO PRODUCTION	01945-31				

4 POSITION DUPLEX SC  
FIBER ADAPTER PANEL  
CUSTOMER DRAWING



**PANDUIT**™  
CORP.  
TINLEY PARK, ILL 60477

<p>ALL DIMENSIONS ARE GIVEN IN INCHES UNLESS OTHERWISE SPECIFIED.</p> <p>DIMENSIONAL TOLERANCES ARE: (.X) ±.010 (0.3) (.XX) ±.03 (0.8) ANGLES</p>	<p>DRAWING FILENAME MO1945AK_DC/01B</p> <p>SCALE NONE</p> <p>PART NO. FAP4W**DSC FAP4W**DSCZ</p> <p>DRAWING NO. 01945-31</p> <p>SIZE A</p>
---	--

THIRD ANGLE PROJECTION

DRAWN BY: MC

DATE: 01-13-05

CHK'D: PJI

REVIEW DRAWING NUMBERS