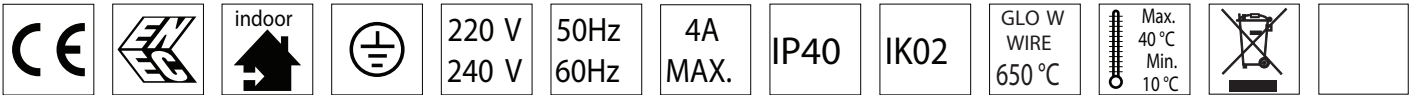
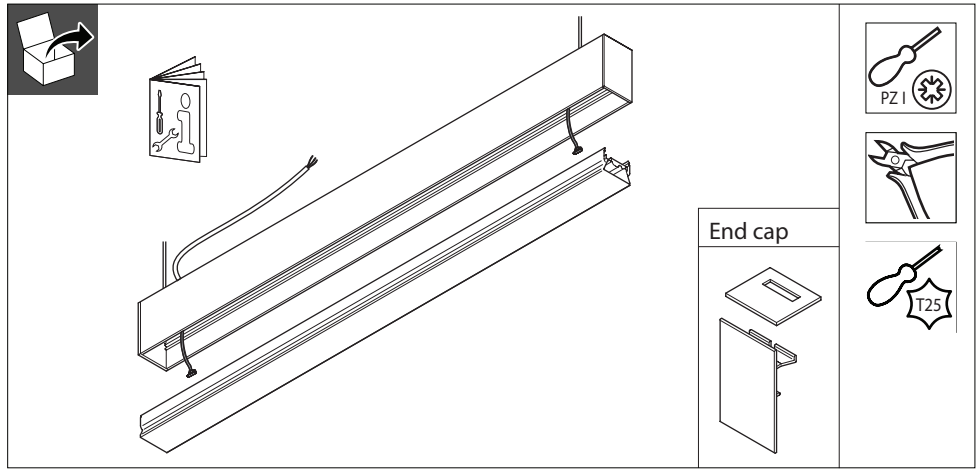


PHILIPS

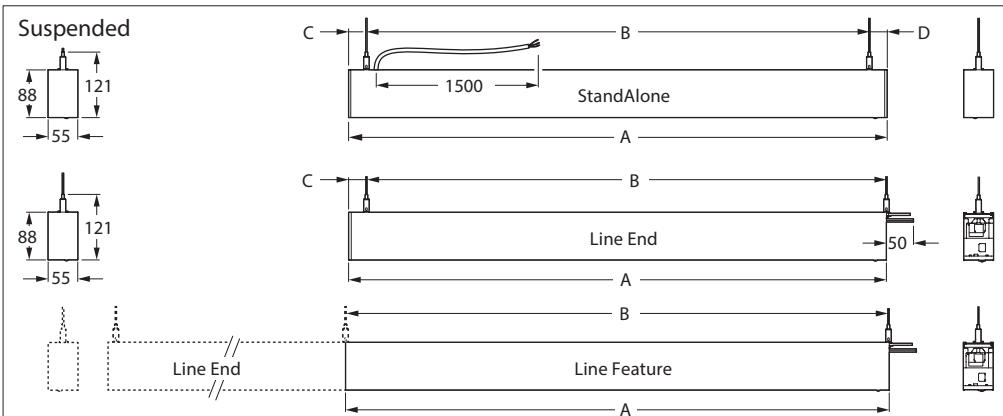
TrueLine

SP530P



| Dimensions in mm | | | | | Sensor/ Blind sensor holder. | |
|------------------|-------|------|------|----|------------------------------------|-----|
| Suspended | A | B | C | D | | |
| Standalone | L1130 | 1130 | 1064 | | | 3.2 |
| | L1170 | 1170 | 1104 | | | 3.4 |
| | L1410 | 1409 | 1344 | 33 | 33 | 3.8 |
| | L1450 | 1449 | 1384 | | | 4.1 |
| Line End | L1130 | 1128 | 1095 | | | 3.2 |
| | L1170 | 1168 | 1135 | | | 3.4 |
| | L1410 | 1408 | 1375 | 33 | 0 | 3.8 |
| | L1450 | 1448 | 1415 | | | 4.1 |
| Line Feature | L1130 | 1127 | 1127 | | | 3.2 |
| | L1170 | 1167 | 1167 | | | 3.4 |
| | L1410 | 1406 | 1406 | 0 | 0 | 3.8 |
| | L1450 | 1446 | 1446 | | | 4.1 |

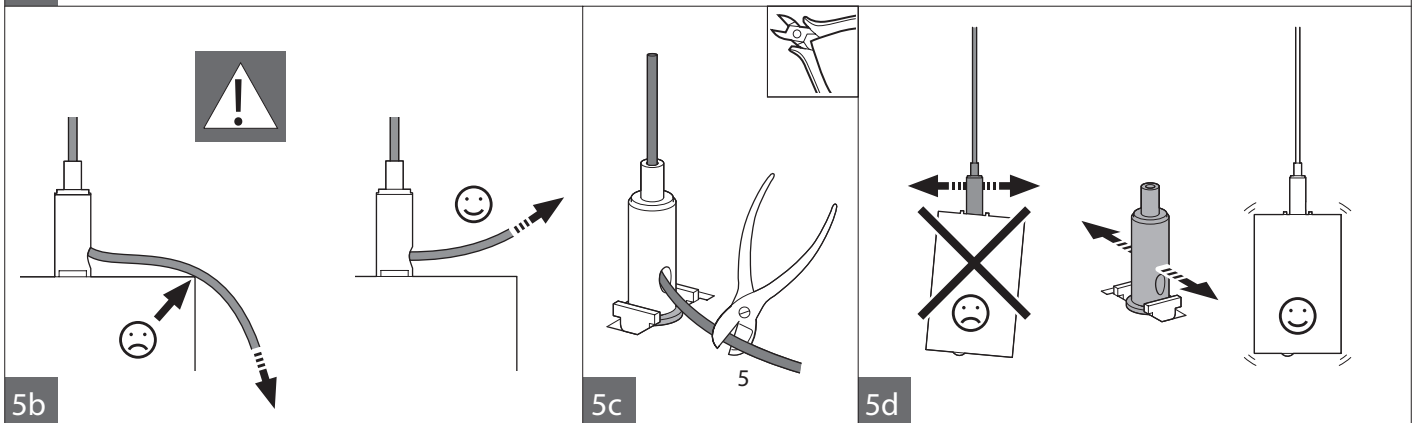
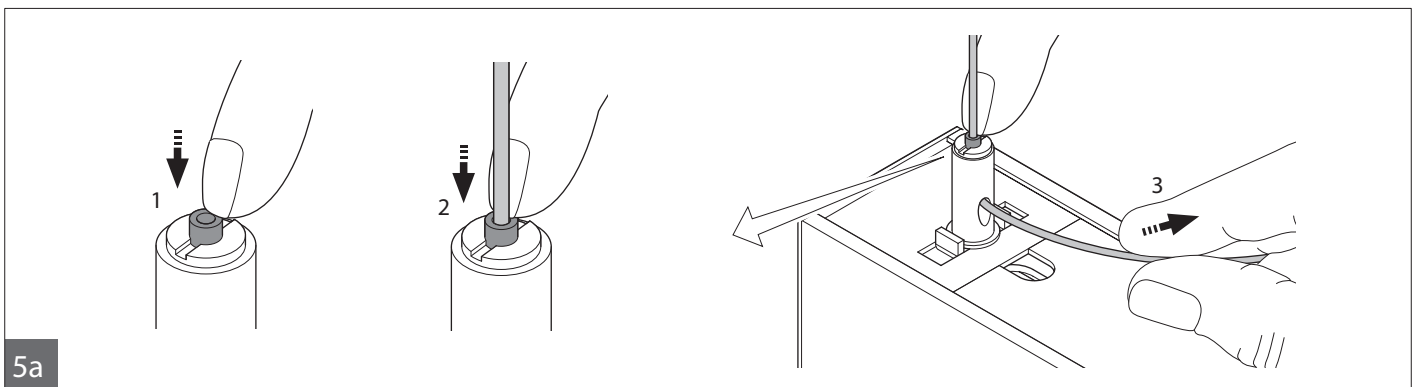
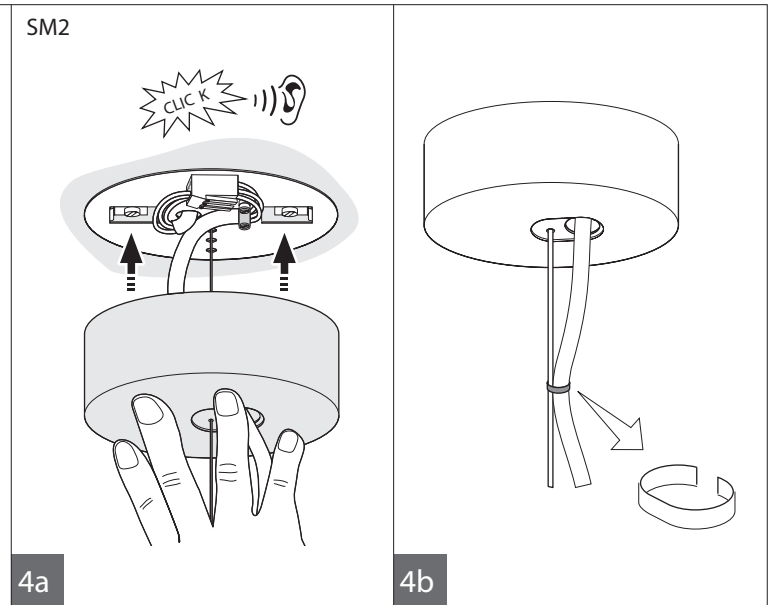
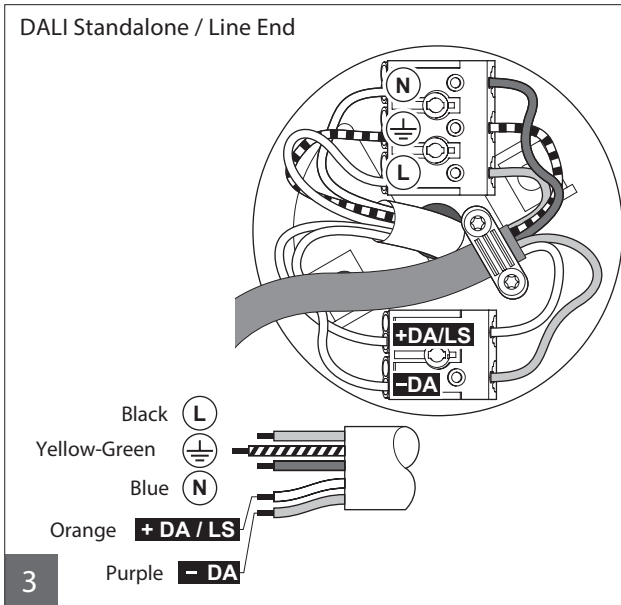
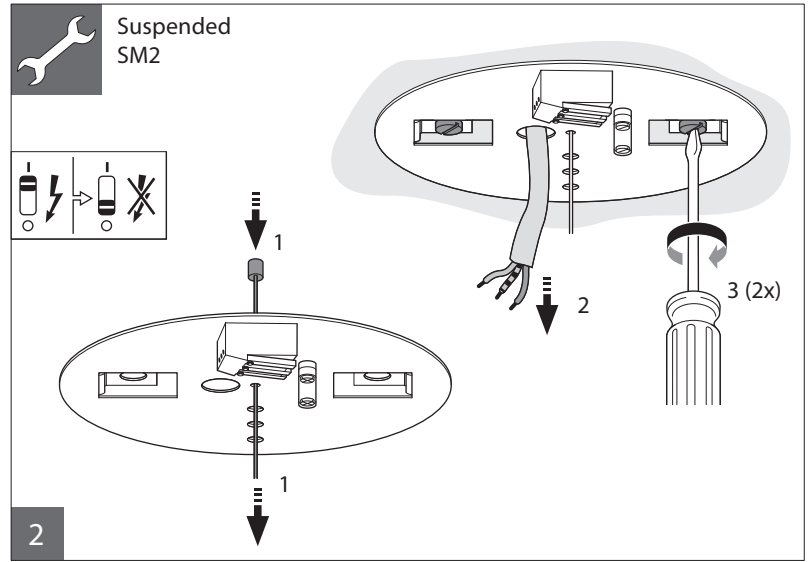
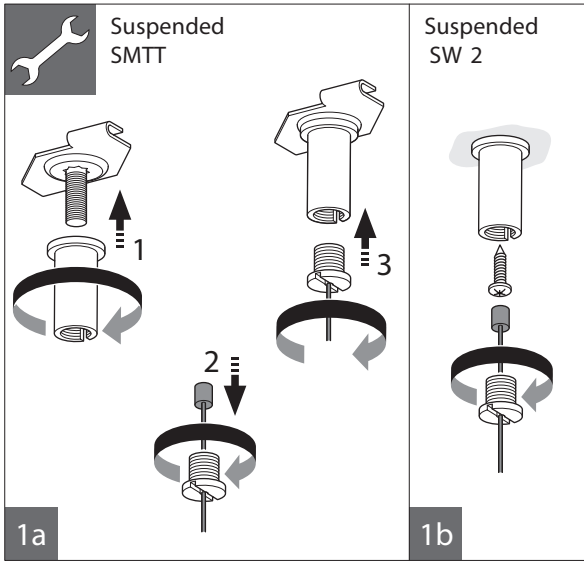
| Suspension set contents | | | | | | | | |
|-------------------------|--------------|---|---|----|---|---|---|----|
| SM2 | SP530P BV/LE | • | • | • | • | • | | |
| | SP530P LF | | | • | • | | • | |
| SMTT | SP530P BV/LE | | | 2x | • | • | | 2x |
| | SP530P LF | | | • | • | | • | • |
| SW2 | SP530P BV/LE | | | 2x | • | | | |
| | SP530P LF | | | • | • | | • | |

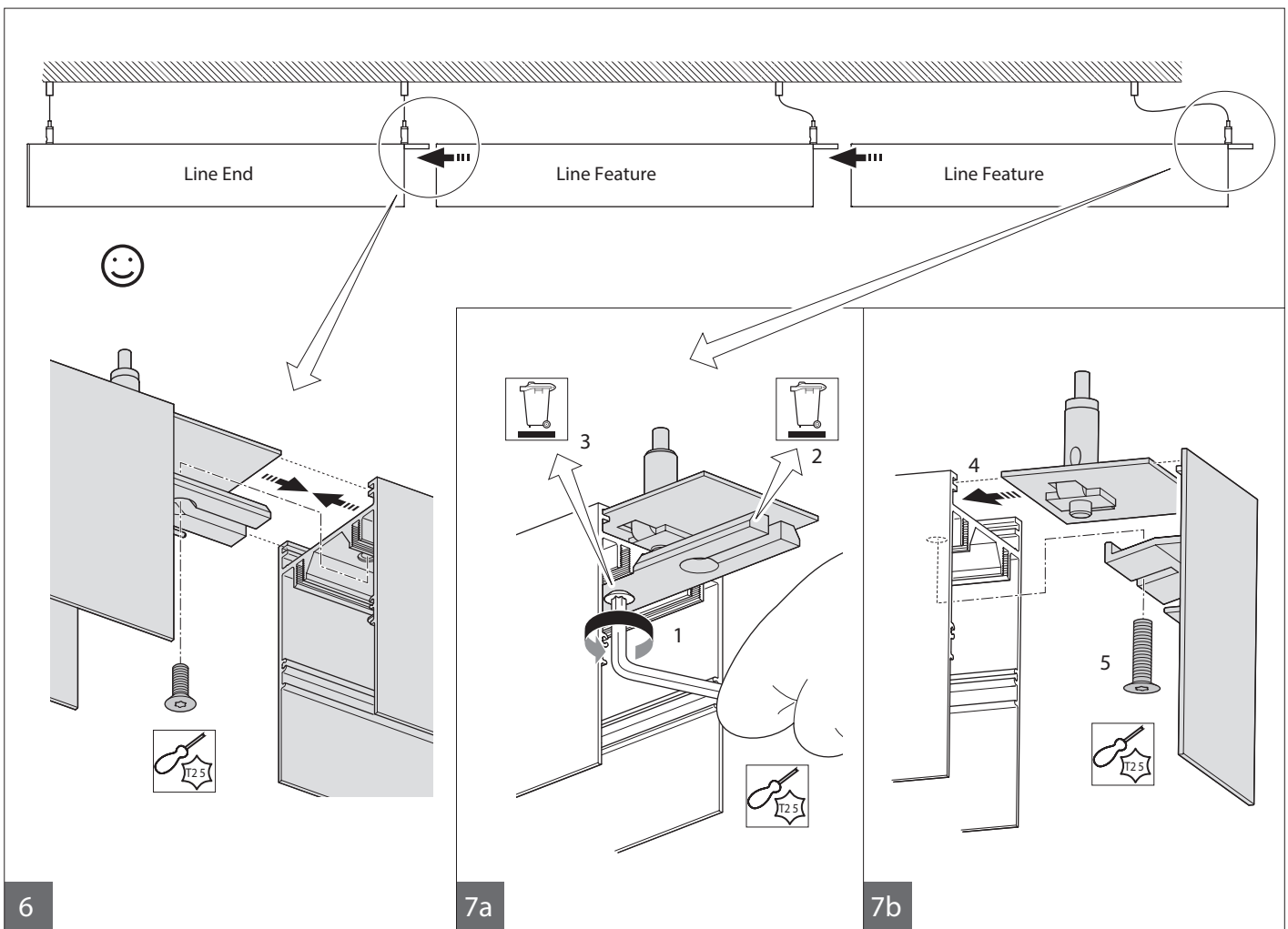
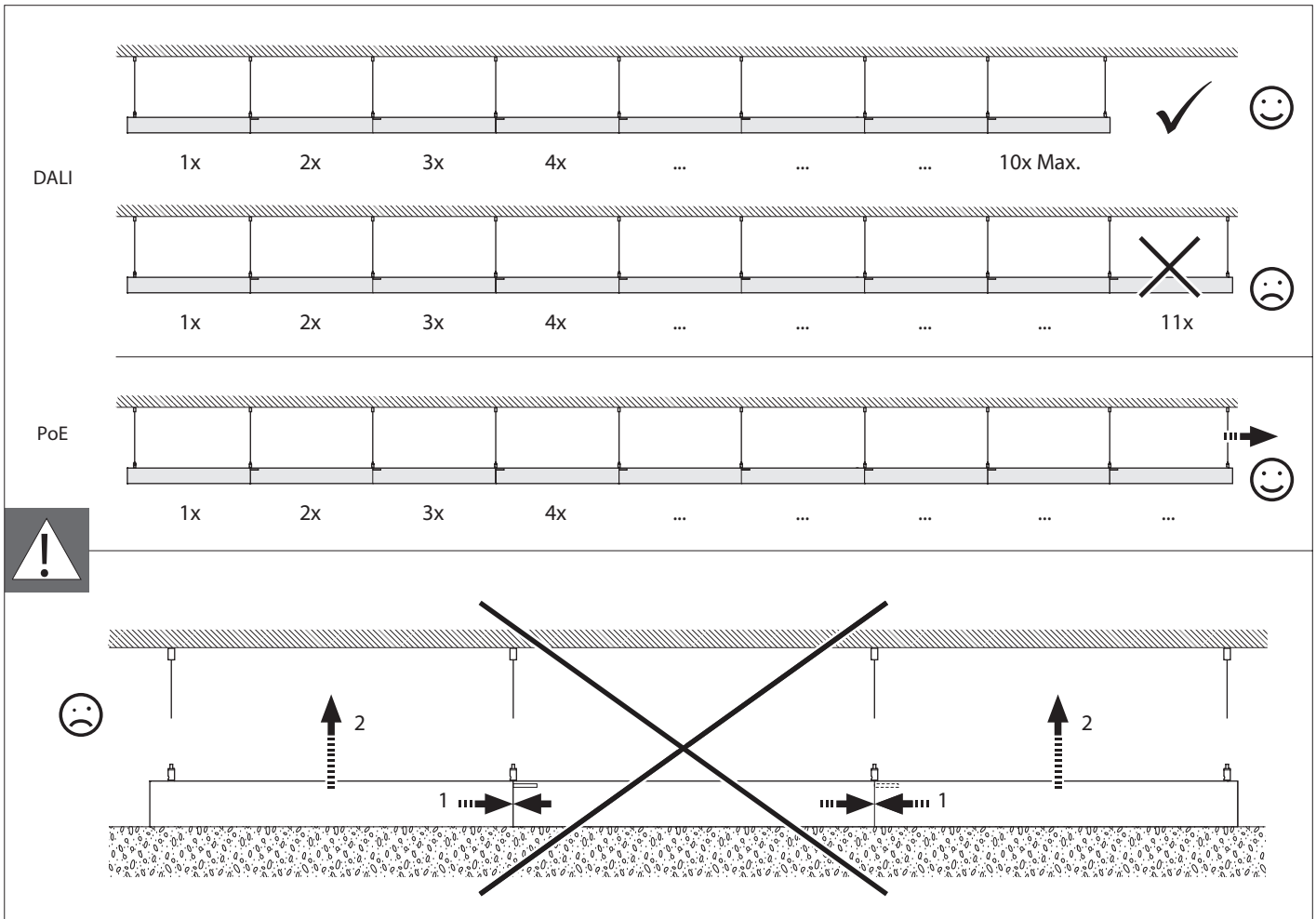


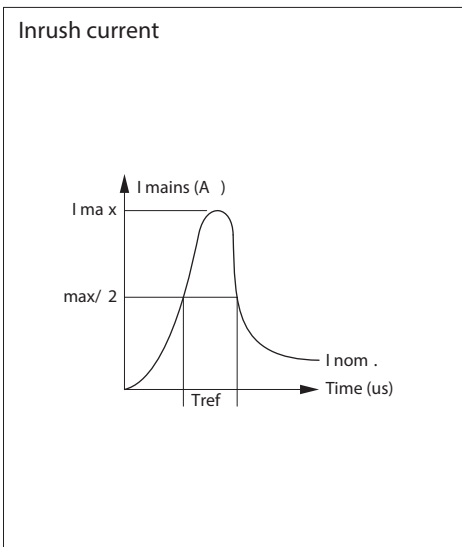
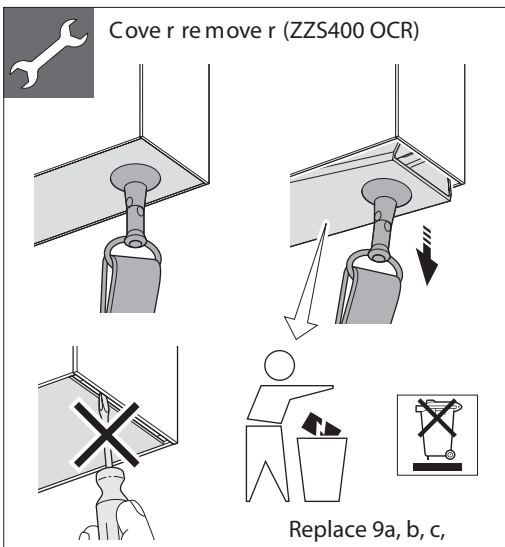
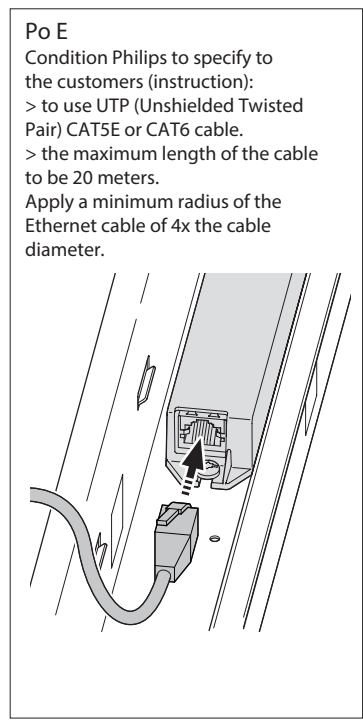
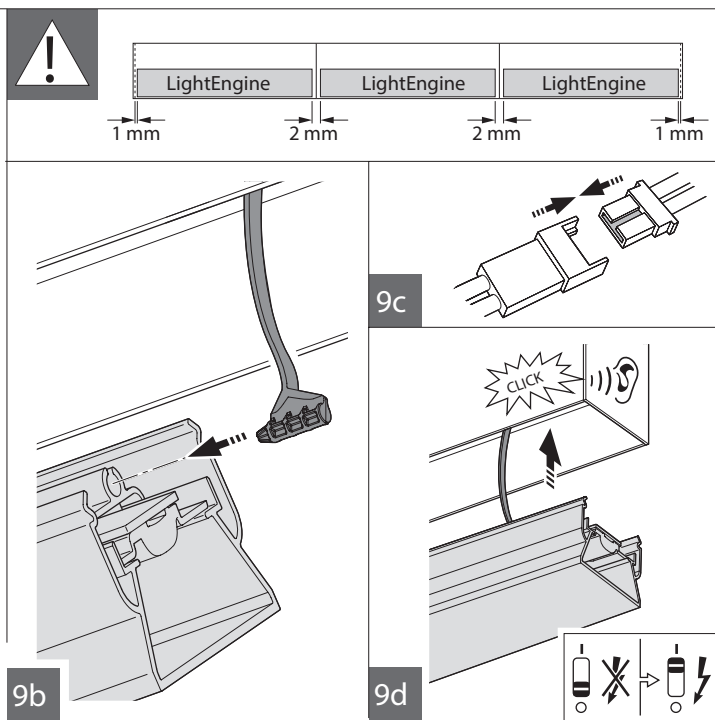
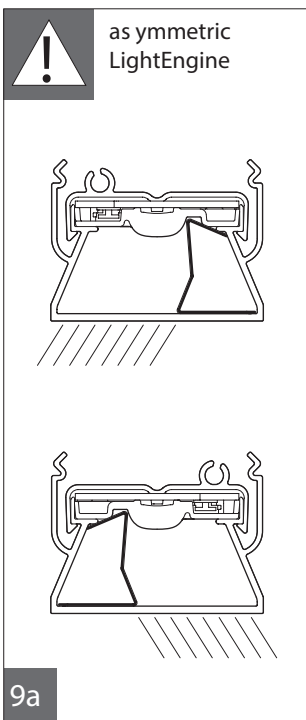
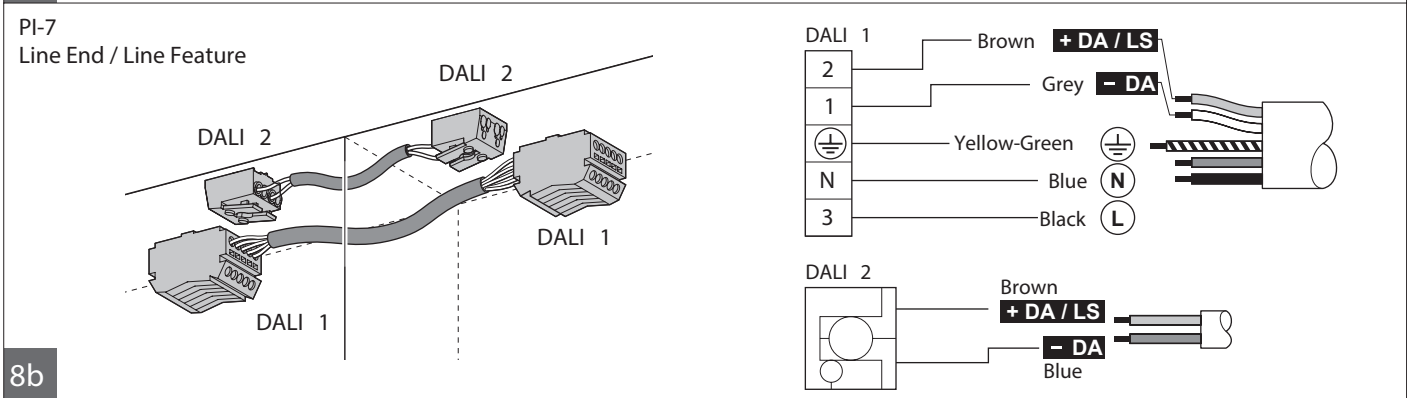
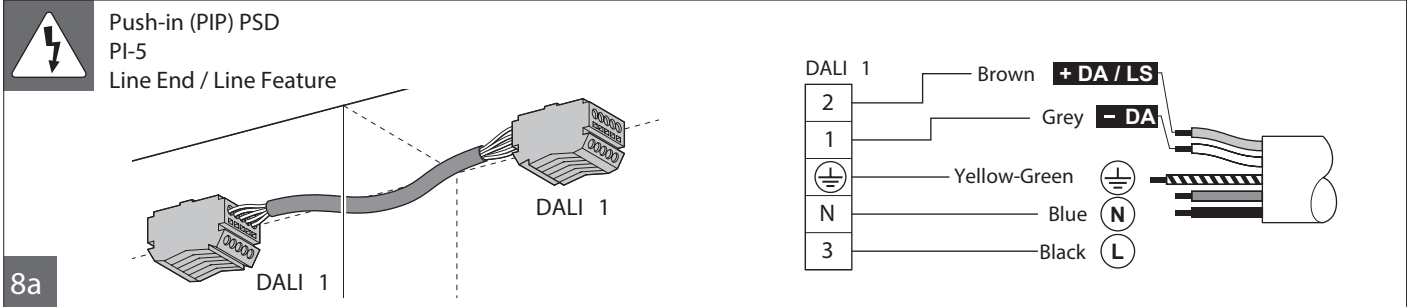
ACL/MDU versions only

6mm

ATTENTION
OBSERVE PRECAUTIONS
FOR HANDLING
ELECTROSTATIC
SENSITIVE
DEVICES







| | |
|-------------------------------|-----------------------|
| I_{max}(A) | 19 |
| T_{ref}(μs) | 280 |
| Condition: Input voltage 220V | |
| MCB | Luminaire Max. |
| B-10A | 15 |
| B-13A | 19 |
| B-16A | 24 |
| B-20A | 30 |
| B-25A | 37 |
| C-10A | 24 |
| C-13A | 32 |
| C-16A | 40 |
| C-20A | 49 |
| C-25A | 62 |