

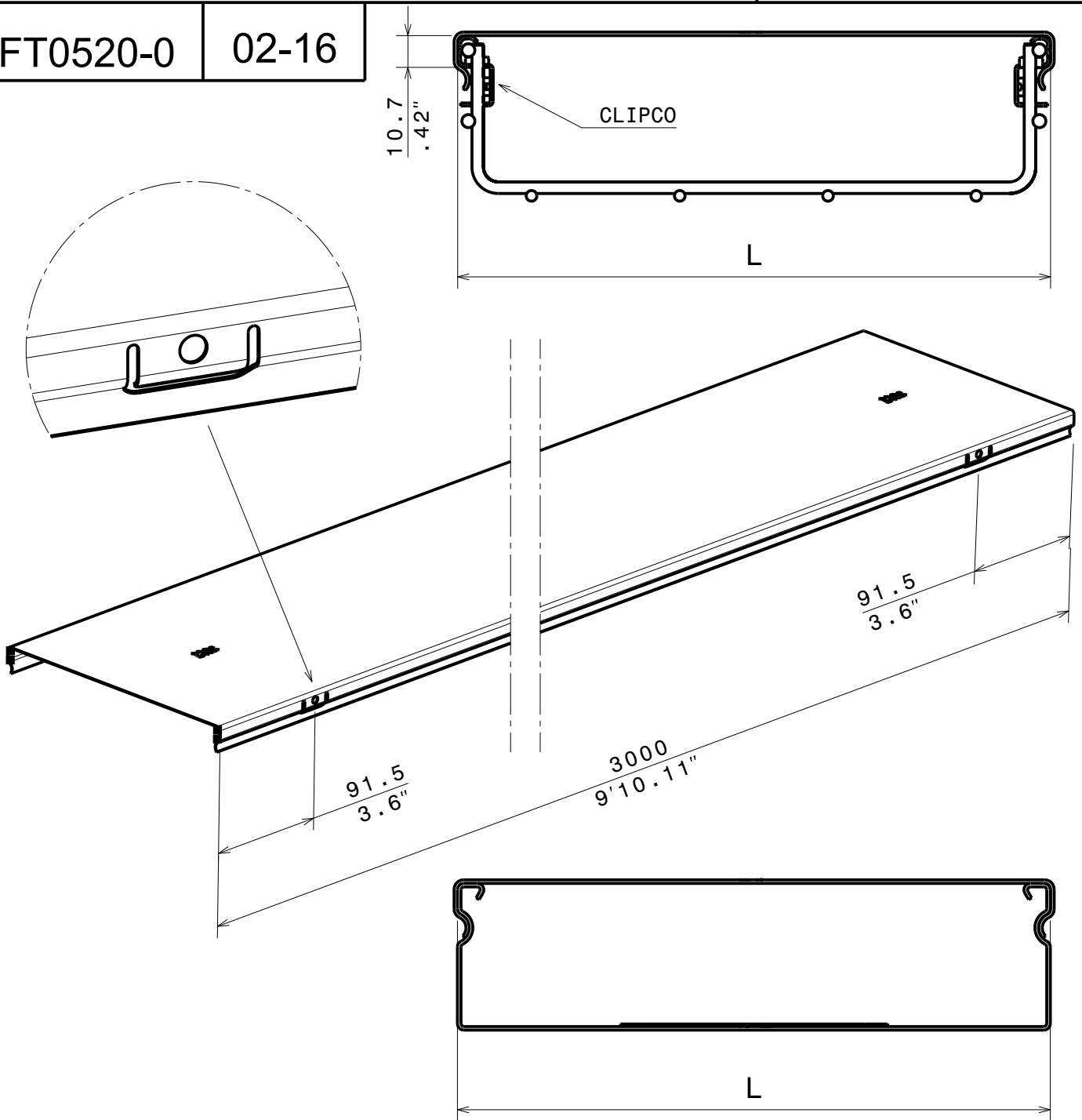
Couvercle P31 CO 50 à 300
Cover for tray P31 L3m 50 to 300

GS
PG

legrand® CABLE MANAGEMENT

FT0520-0

02-16



| REF | CODE | POIDS / WEIGHT | | L / L | | EP. / TH. | |
|------------|---------|----------------|---------|-------|-----------|-----------|----------|
| | | (Kg/m) | (lb/ft) | (mm) | (inch) | (mm) | (inch) |
| P31 CO 50 | 340 189 | 0.370 | 0.249 | 50 | (1.969") | 0.5 | (0.020") |
| P31 CO 75 | 340 190 | 0.460 | 0.309 | 75 | (2.952") | 0.5 | (0.020") |
| P31 CO 100 | 340 191 | 0.560 | 0.377 | 100 | (3.937") | 0.5 | (0.020") |
| P31 CO 150 | 340 192 | 0.750 | 0.505 | 150 | (5.906") | 0.5 | (0.020") |
| P31 CO 200 | 340 193 | 0.940 | 0.632 | 200 | (7.874") | 0.5 | (0.020") |
| P31 CO 300 | 340 194 | 1.600 | 1.077 | 300 | (11.811") | 0.5 | (0.020") |

| Material | Standard |
|-------------------|-----------|
| DX 51 D Z 275 MAC | EN 10 346 |

Propriété exclusive de LEGRAND, ne peut être ni copié, ni transmis à des tiers sans autorisation écrite.

Exclusive property of LEGRAND shouldn't be reproduced or transmitted to any people without written authorization