

Part number

TMAO 06 L25



Hood, T-TYPE series, with 2 pegs, M25 side cable entry, size "44.27", high construction

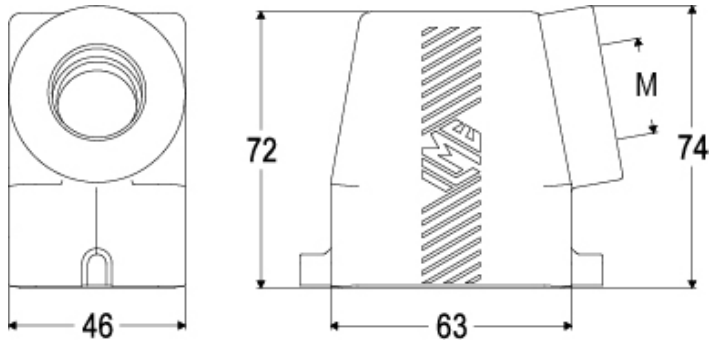
Product description	
Product type	Hood
Series	T-TYPE
Closing type	With 2 pegs
Size	Size "44.27"
Cable entry	Side cable entry M25
Specification	High construction
Technical data	
IP degree of protection	IP65
Further technical details	
Weight	106,00 g
Operating temperature range (min, max)	-40°C ... +90°C
Material properties	
Main material	Polypropylene (PP)
Colour	RAL 7012 grey
RoHs conformity	Compliant
China RoHs - EFUP	E
REACH SVHC substances	No
Approvals / Standards	
UL	ECBT2
cUL	ECBT8
General ordering information	
EAN13 code	8015747168656
eCl@ss 8.1	27440202
ETIM 7.0	EC000437
Packaging Information	
Packaging length	280,00 mm
Packaging height	170,00 mm
Packaging width	185,00 mm
Packaging weight	2,12 kg
Packaging volume	8,81 dm ³
Packaging description	Carton box
Packaging quantity	20 Pcs
Packaging EAN code	8015747171083
Sub-packaging weight	0,53 kg
Sub-packaging description	Plastic packaging
Sub-packaging quantity	5 Pcs
Sub-packaging EAN barcode	8015747171090

Part number

TMAO 06 L25



Catalogue drawings



Notes

Dimensions shown in mm are not binding and may be changed without notice.
