

Part number

MAO 24 L32



Hood, C-TYPE series, with 2 pegs, M32 side cable entry, size "104.27", high construction

Product description		Material properties	
Product type	Hood	Colour	RAL 7040 grey
Series	C-TYPE	RoHs conformity	Compliant
Closing type	With 2 pegs	China RoHs - EFUP	E
Size	Size "104.27"	REACH SVHC substances	No
Cable entry	Side cable entry M32	Approvals / Standards	
Specification	High construction	Certifications	DNV-GL, BV
Technical data		UL	ECBT2
IP degree of protection	IP66 (and IP69 DIN 40050 - 9)	cUL	ECBT8
Further technical details		General ordering information	
Weight	269,00 g	EAN13 code	8015747050593
Operating temperature range (min, max)	-40°C...+125°C	eCl@ss 8.1	27440202
		ETIM 7.0	EC000437
		Packaging Information	
		Packaging length	255,00 mm
		Packaging height	150,00 mm
		Packaging width	180,00 mm
		Packaging weight	2,54 kg
		Packaging volume	6,89 dm ³
		Packaging description	Carton box
		Packaging quantity	10 Pcs
		Packaging EAN code	8015747215114
		Sub-packaging weight	1,27 kg
		Sub-packaging description	Plastic packaging
		Sub-packaging quantity	5 Pcs
		Sub-packaging EAN barcode	8015747050609

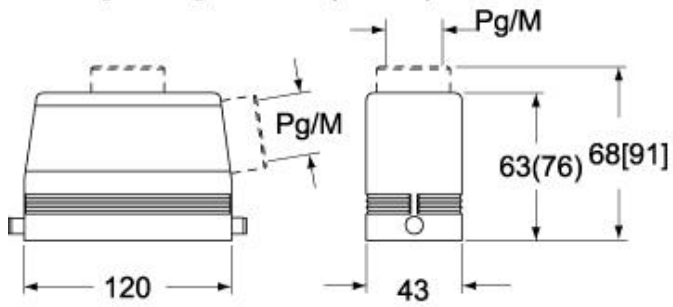
Part number

MAO 24 L32

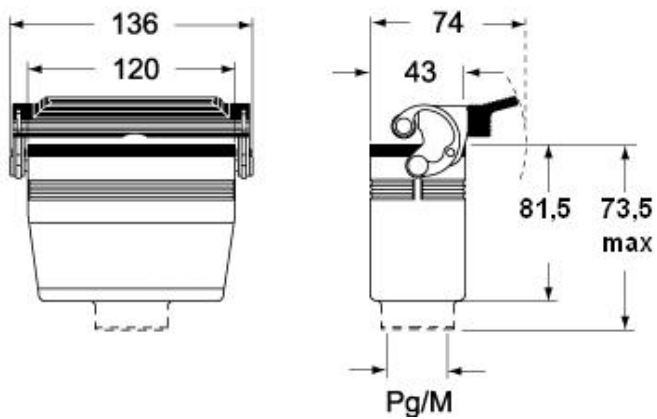


Catalogue drawings

CHO L (CAO L) - MHO L [MAO L]
CHV L [CAV L] - MHV L (MAV L)



CHV LG (CAV LG), MHV LG (MAV LG) [MFV LG]



Notes

Dimensions shown in mm are not binding and may be changed without notice.