

Part number

CR CLK



Locking device, for bulkhead mounting housings with 2 CLASS levers, with eyelet



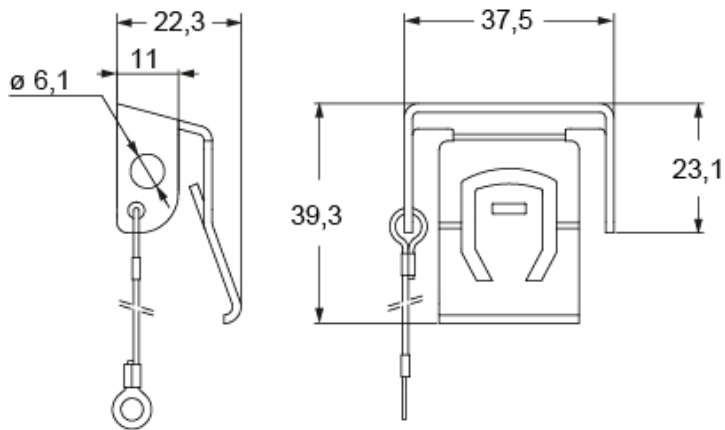
Product description		Approvals / Standards	
Product type	Locking device	UL	ECBT2
Specification	For bulkhead mounting housings with 2 CLASS levers With eyelet	cUL	ECBT8
Further technical details		General ordering information	
Weight	20,50 g	EAN13 code	8015747263047
		eCl@ss 8.1	27449290
		ETIM 7.0	EC002943
		Packaging Information	
		Packaging length	365,00 mm
		Packaging height	125,00 mm
		Packaging width	225,00 mm
		Packaging weight	2,68 kg
		Packaging volume	10,27 dm ³
		Packaging description	Carton box
		Packaging quantity	100 Pcs
		Packaging EAN code	8015747263078
		Sub-packaging weight	0,03 kg
		Sub-packaging description	Plastic bag
		Sub-packaging quantity	1 Pcs
		Sub-packaging EAN barcode	8015747263054

Part number

CR CLK



Catalogue drawings



Notes

Dimensions shown in mm are not binding and may be changed without notice.