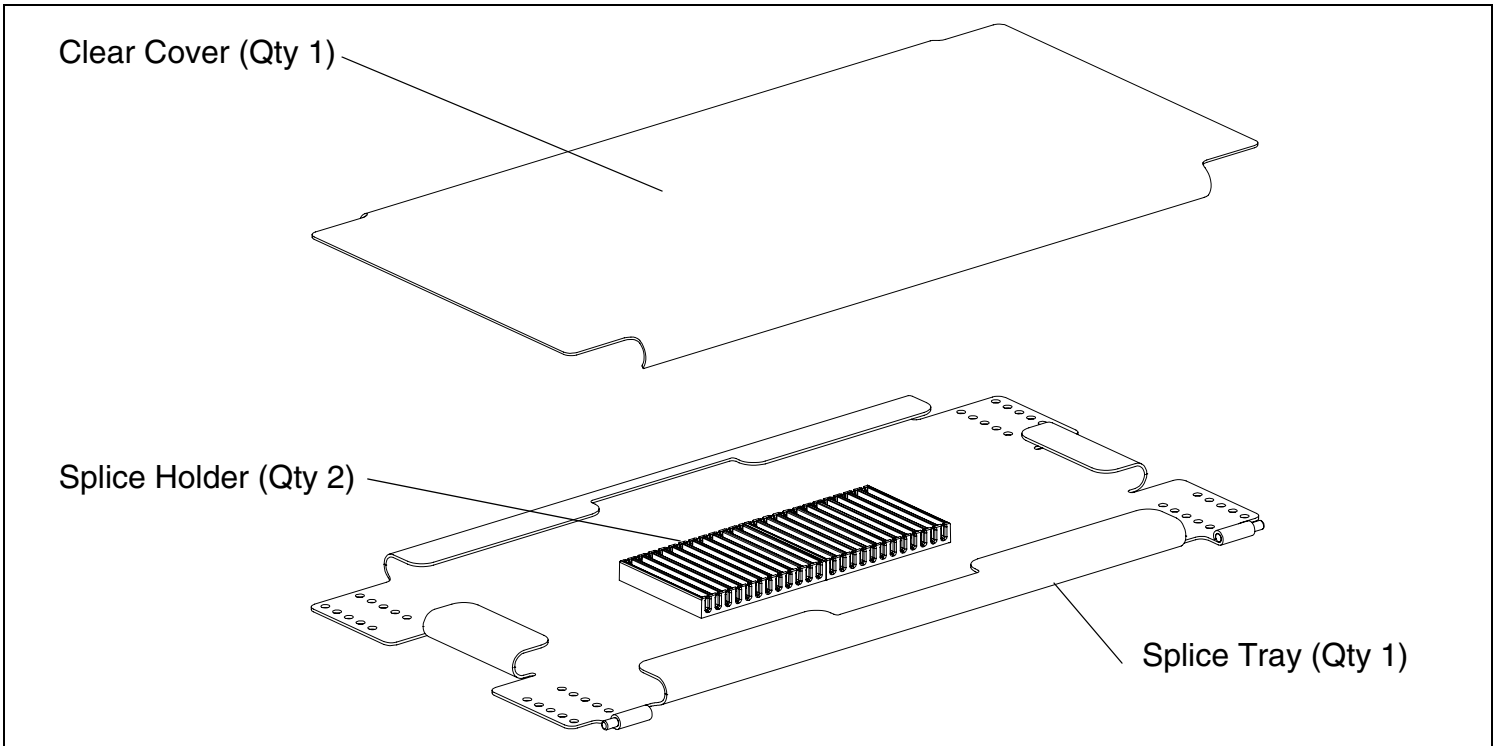
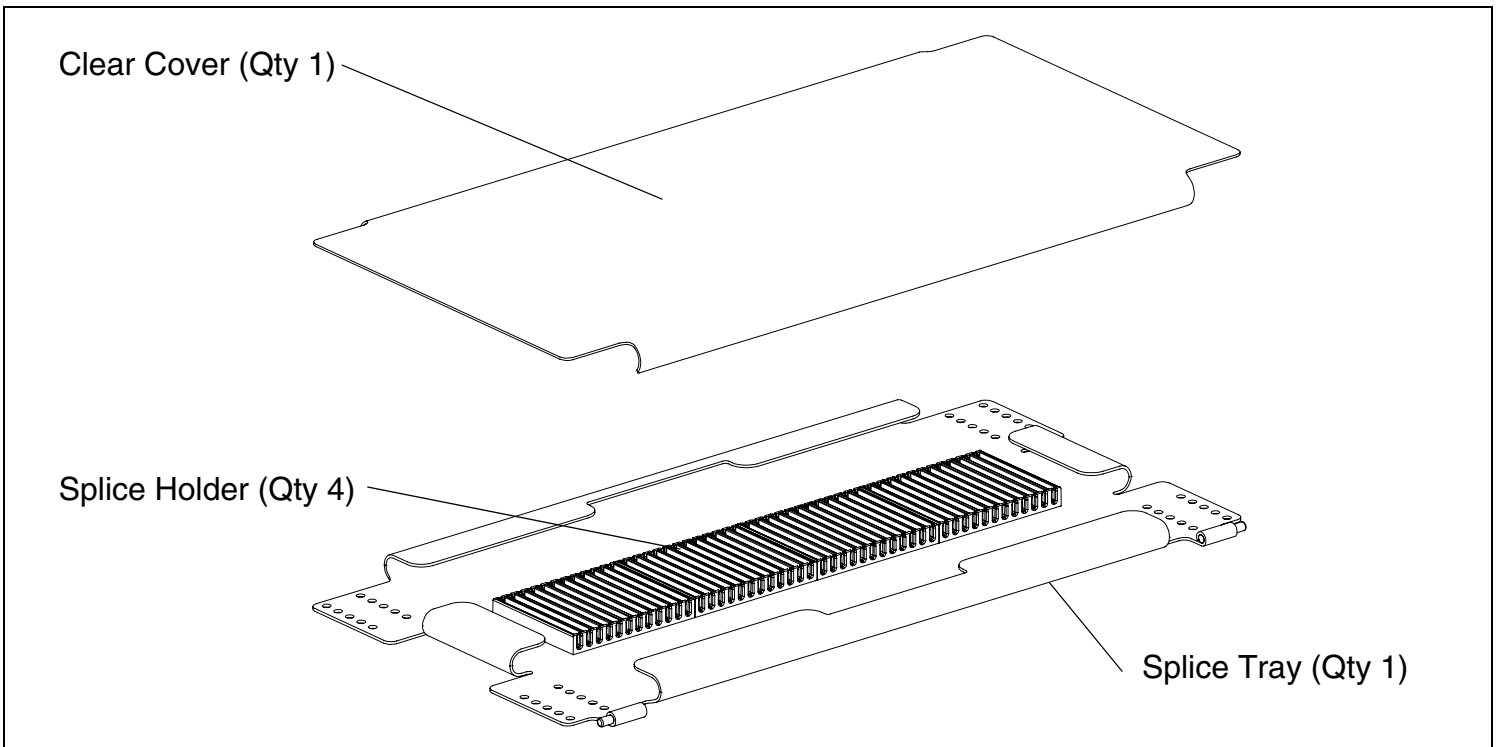


FST144R



FST48



2.0 CONTENTS

- 1 pc - Splice Tray (FST144R or FST48)
- 1 pc - Label Card
- 10 pcs - Cable Tie
- 2 pcs - Grommet
- 6 in - Heat Shrink Tubing

3.0 SAFETY PRECAUTIONS

1. SAFETY GLASSES

WARNING: IT IS STRONGLY RECOMMENDED THAT SAFETY GLASSES BE WORN WHEN HANDLING BARE OPTICAL FIBER. THE BARE FIBER IS VERY SHARP AND CAN EASILY DAMAGE THE EYE.

2. ISOPROPYL ALCOHOL

WARNING: ISOPROPYL ALCOHOL IS FLAMMABLE. CONTACT WITH THE ALCOHOL CAN CAUSE IRRITATION TO THE EYES. IN CASE OF CONTACT WITH THE EYES, FLUSH WITH WATER FOR AT LEAST 15 MINUTES. ALWAYS USE ISOPROPYL ALCOHOL WITH PROPER LEVELS OF VENTILATION. IN CASE OF INGESTION, CONSULT A PHYSICIAN IMMEDIATELY.

3. DISPOSAL OF BARE FIBERS

WARNING: PICK UP AND DISCARD ALL PIECES OF BARE FIBER WITH STICKY TABS. DO NOT LET CUT PIECES OF FIBER STICK TO CLOTHING OR DROP IN THE WORK AREA WHERE THEY ARE HARD TO SEE AND CAN CAUSE INJURY.

4. LASER LIGHT PROTECTION

USE OF CONTROLS OR PERFORMANCE OTHER THAN THOSE SPECIFIED HEREIN MAY RESULT IN HAZARDOUS RADIATION EXPOSURE. THE POWER OF EMISSION OF THE LASER BEAM EXCEEDS 1MW IN CLASS II AND IS LESS THAN 5MW IN CLASS IIIA/3R, SO THE FOLLOWING WARNINGS MUST BE FOLLOWED TO AVOID INJURY:

- NEVER POINT THE LASER INTO THE EYES OF OTHERS.
- DO NOT STARE DIRECTLY AT THE LASER BEAM.
- DO NOT SET UP TOOL TO WORK AT EYE LEVEL OR OPERATE THE TOOL ON A REFLECTIVE SURFACE AS THE LASER COULD BE PROJECTED INTO YOUR EYES OR THE EYES OF OTHERS.

ALWAYS TURN THE LASER OFF WHEN IT IS NOT IN USE OR IS LEFT UNATTENDED FOR A PERIOD OF TIME. REMOVE THE BATTERIES WHEN STORING FOR AN EXTENDED PERIOD OF TIME TO AVOID DAMAGE TO THE TOOL SHOULD THE BATTERIES DETERIORATE.

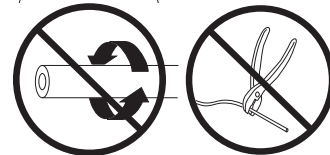
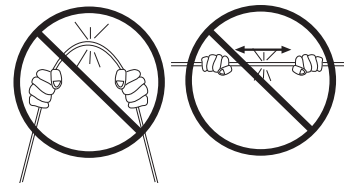
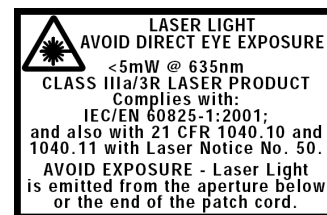
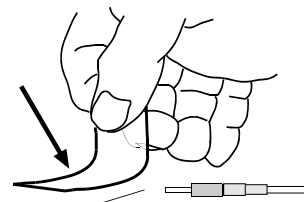
NEVER LOOK INTO THE PATH OF THE VISUAL FAULT LOCATOR OR ANY OTHER LASER BEAM.

NEVER LOOK INTO THE END OF A FIBER WHICH MAY HAVE ANY VISUAL FAULT LOCATOR, OR ANY OTHER LASER, COUPLED TO IT.

NEVER LAUNCH ANY VISUAL FAULT LOCATOR INTO ACTIVE EQUIPMENT OR MICROSCOPE. MAKE SURE THAT THE END OPPOSITE THE VISUAL FAULT LOCATOR IS NOT CONNECTED TO ANY ELECTRONICS OR ACTIVE EQUIPMENT DURING TERMINATION.

5. CABLE HANDLING

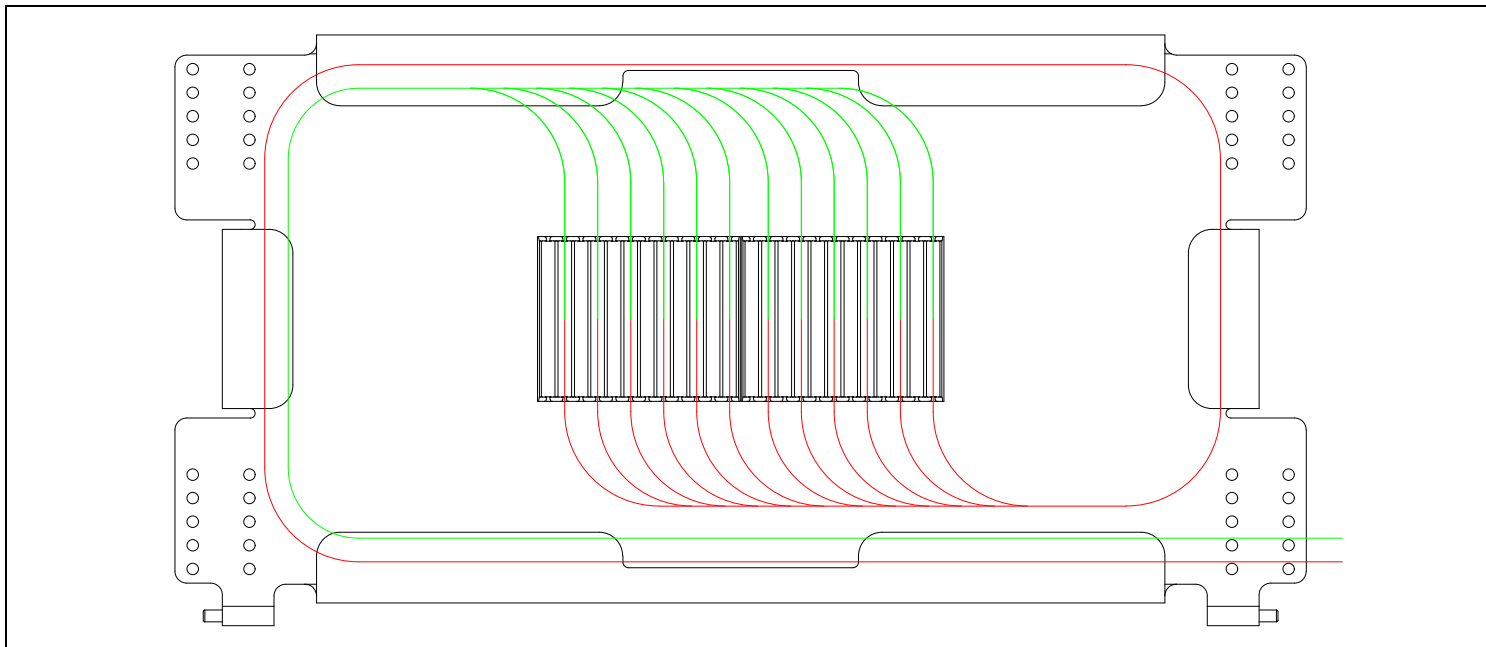
WARNING: FIBER OPTIC CABLE CAN BE DAMAGED BY EXCESSIVE PULLING, TWISTING, CRUSHING OR BENDING STRESSES. CONSULT THE APPROPRIATE SPECIFICATION SHEETS AS PROVIDED BY YOUR CABLE VENDOR. ANY DAMAGE MAY DECREASE OPTICAL PERFORMANCE.



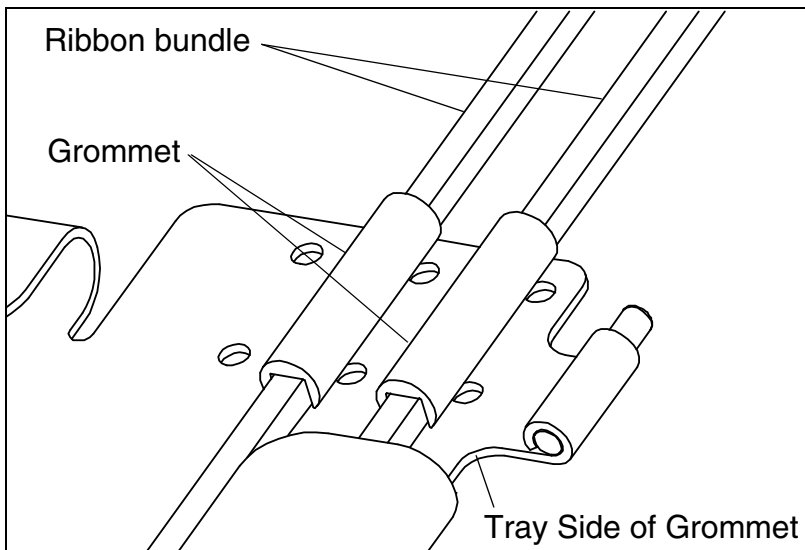
4.0 INSTALLING SPLICE TRAY AND FIBER

The fiber can enter the splice tray from any of the four corners.

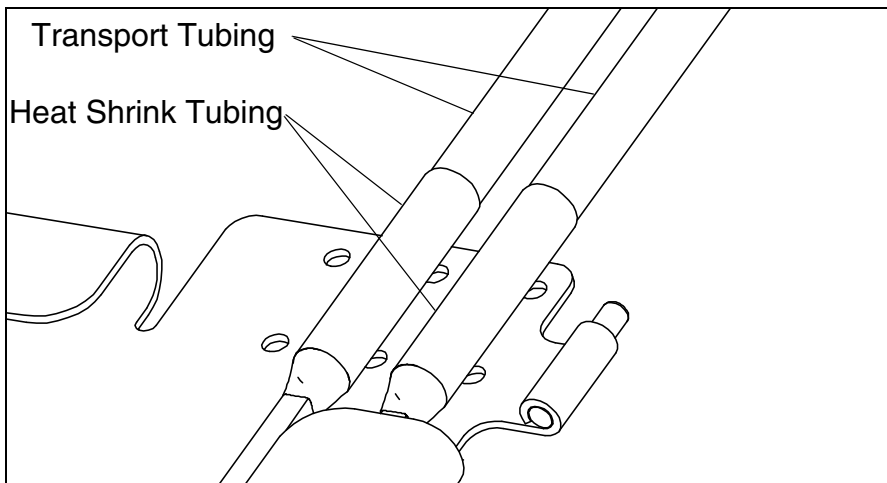
FST144R - Ribbonized Fiber



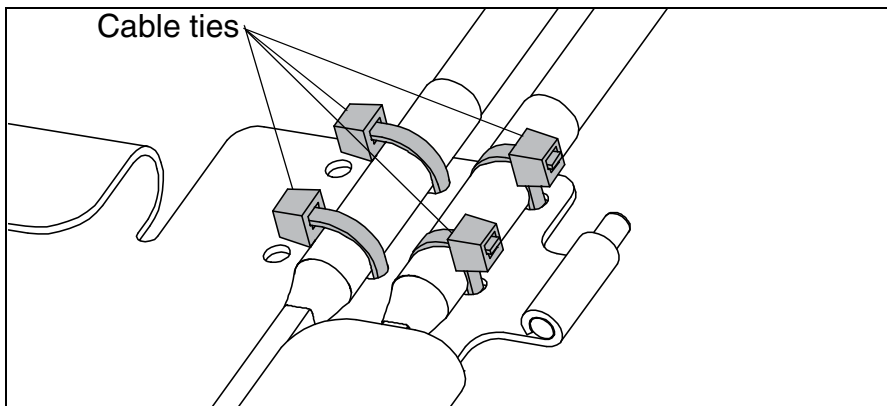
Route the fiber as shown in the image. For 12 fiber ribbon, install splice protector in every other mounting groove of the splice holder. Splice protectors as well as heat shrink tubing and transport tubing, as described later, should be placed over the fiber prior to splicing.



Place the grommets over the ribbons as shown. Note that each grommet will accommodate up to 12 ribbons.



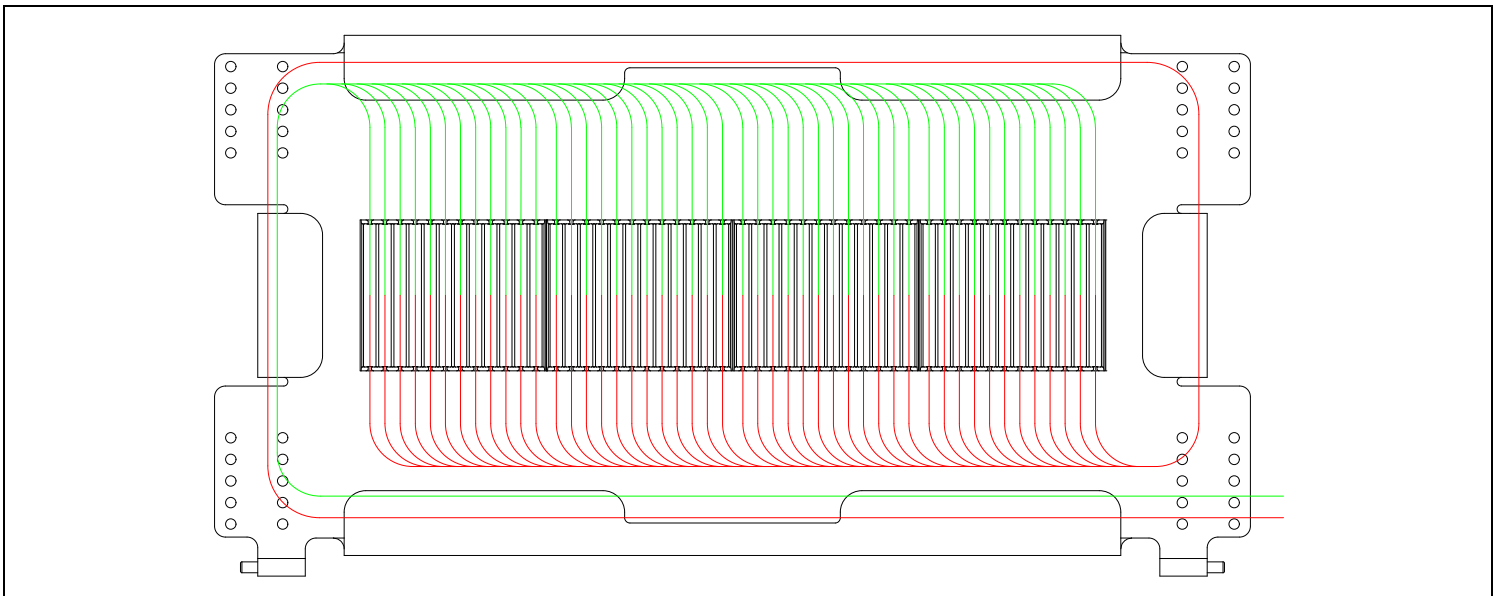
Cut 2" sections of heat shrink tubing. Heat shrink the heat shrink tubing over the grommet, part of the exposed ribbon (on the tray side of the grommet) and transport tubing to secure the fiber to the transport tubing. The *PANDUIT SE25PSC-TR0* braided sleeving is the recommended transport tubing.



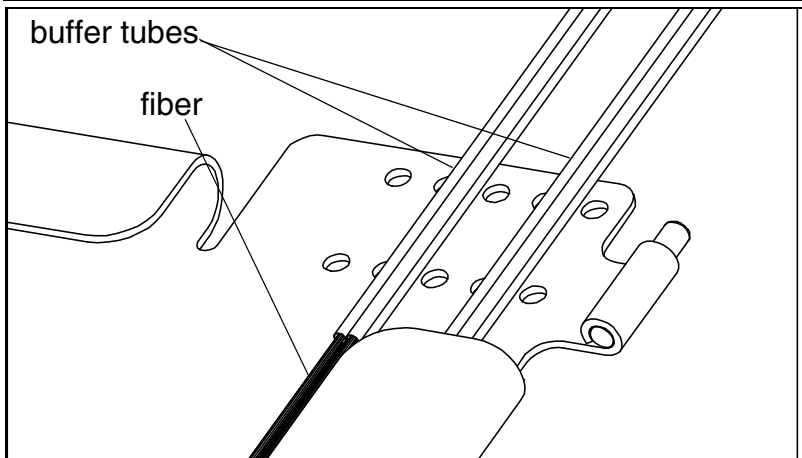
Using cable ties, secure the fiber to the splice tray as shown.

FST48 - Loose Tube Fiber

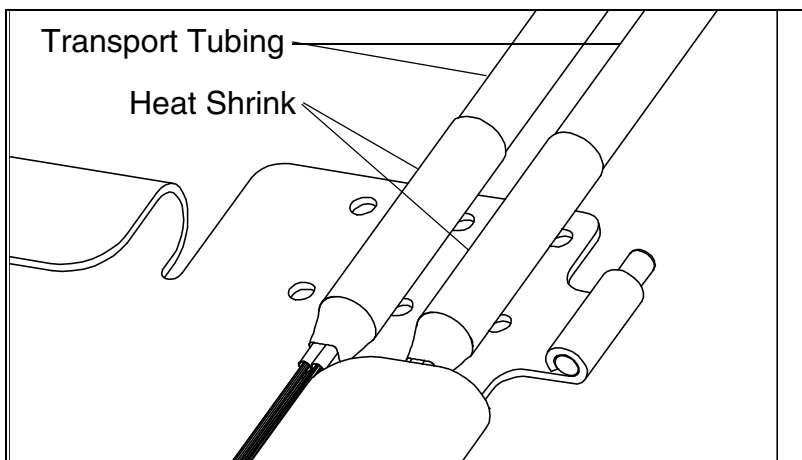
Note that the FST48 splice tray is not recommended for tight buffered fiber.



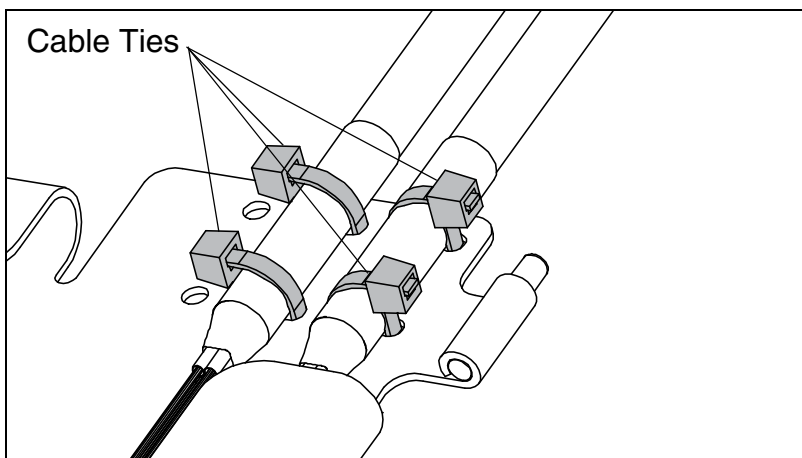
Route the fiber as shown in the image. Splice protectors as well as heat shrink tubing and transport tubing, as described earlier, should be placed over fiber prior to splicing.



The incoming and outgoing fiber should be grouped together as shown. The buffer tubes will be secured directly to the tray and should be positioned over the cable tie holes as shown. The grommets are not required in this arrangement.



It is recommended that transport tubing is used to keep the buffer tubes bundled. Cut 2" sections of heat shrink tubing. Heat shrink the heat shrink tubing over the exposed buffer tubes and transport tubing to secure the fiber to the transport tubing. The *PANDUIT* SE25PSC-TR0 braided sleeving is the recommended transport tubing.



Using cable ties, secure the fiber to the splice tray as shown.

For Instructions in Local Languages
and Technical Support:

www.panduit.com/resources/install_maintain.asp

PANDUIT

www.panduit.com

E-mail:
techsupport@panduit.com

Phone:
866-405-6654