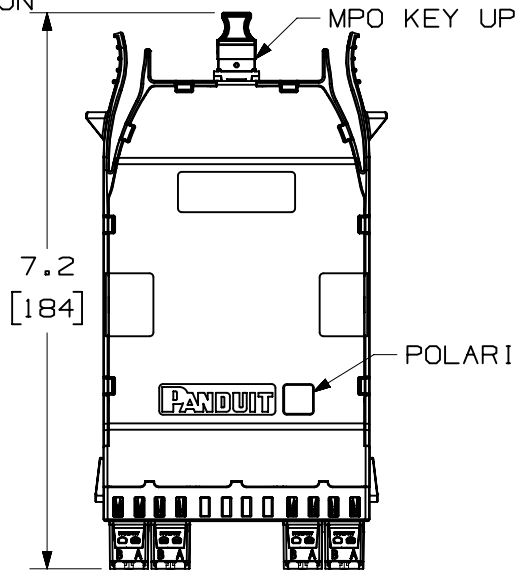


THIS COPY IS PROVIDED ON A RESTRICTED BASIS AND IS NOT TO BE USED IN ANY WAY DETRIMENTAL TO THE INTERESTS OF PANDUIT CORP.

NOTES:

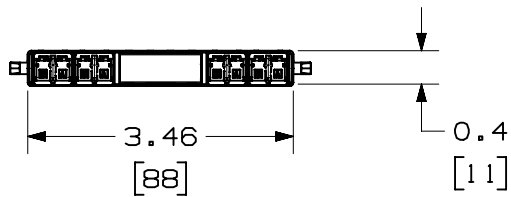
1. SEE CURRENT CATALOG FOR PART NUMBER SUFFIXES TO INDICATE COLOR AND/OR PACKAGE QUANTITIES.
2. SEE CATALOG FOR COMPLETE LIST OF PARTS APPLICABLE FOR USE WITH THIS PRODUCT.
3. PART NUMBERS: SEE SHEET 2
4. MATERIALS:
 - A. BOX AND LID: PLASTIC
 - B. ADAPTER: COMPOSITE PLASTIC
5. CASSETTE WEIGHT: 3.53oz [100g]
6. DIMENSIONS IN BRACKETS ARE METRIC.

MPO FIBER 1 2 3 4 9 10 11 12
POSITION

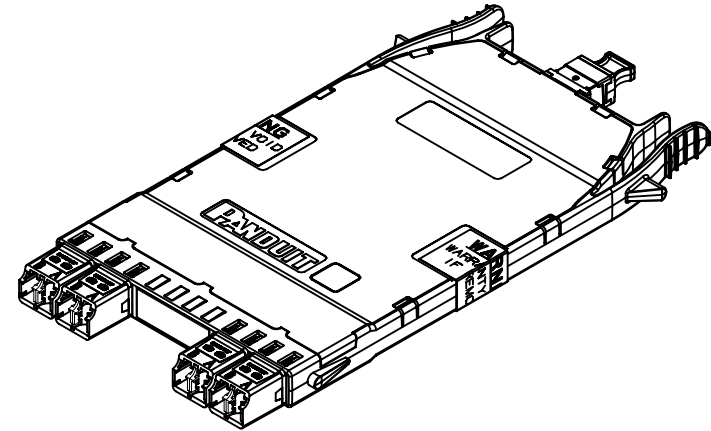


7.2
[184]

LC PORT NUMBER 1 2 3 4



FRONT VIEW



4-1 BREAKOUT CASSETTE FIBER ROUTING									
LC PORT NUMBER	1B	1A	2B	2A	X	3B	3A	4B	4A
MPO FIBER POSITION	12	1	11	2		10	3	9	4

REV	DATE	BY	CHK	APR	DESCRIPTION	ECN
01B	8/10/21	JSP	JGD	EJH	A. ADDED OM5 CASSETTES	12F187HV-DC
01	09-23-16	BSN	EJH	MMN	RELEASED TO PRODUCTION	12F187HV-DC

TITLE			
HD FLEX 8 FIBER LC BREAKOUT CASSETTE			
CUSTOMER DRAWING			
ITEM REVISION NAME		12F187HV/01	
DATASET FILE NAME		12F187HV_DS/01B	
ALL DIMENSIONS ARE FOR REFERENCE			MATERIAL:
			SEE NOTES
DRAWING NUMBER:			12F187HV-DC
DRAWN BY	DATE	CHK	SCALE
BSN	07-26-16	EJH	NONE
SHT 1 OF 2			SIZE
			A

