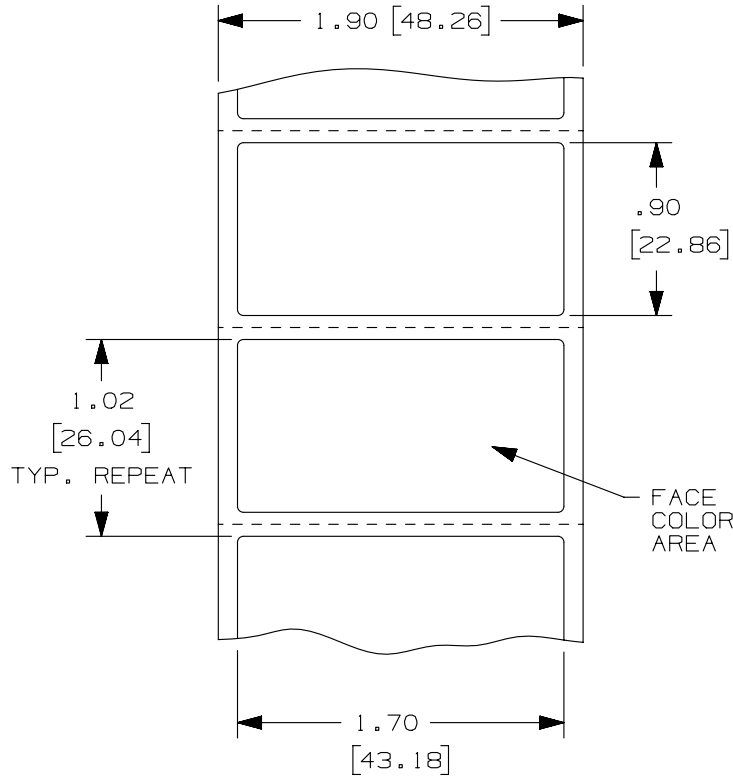


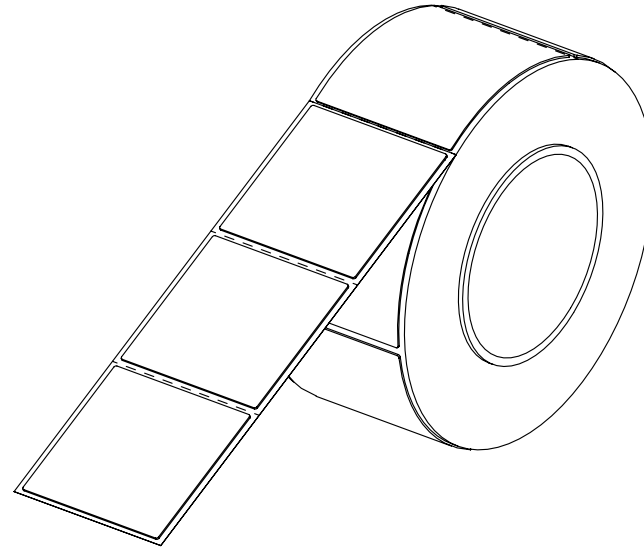
THIS COPY IS PROVIDED ON A RESTRICTED BASIS AND IS NOT TO BE USED IN ANY WAY DETRIMENTAL TO THE INTERESTS OF PANDUIT CORP.

NOTES:

1. DIMENSIONS IN [] ARE IN MILLIMETERS.



PANDUIT PART NO.	MATERIAL	FACE COLOR	PKG. QTY.	THICKNESS	PRODUCT TYPE
C170X090A8T	GMH3	YELLOW	500	.030 +/- .010	POLYESTER/ FOAM COMPONENT LABEL
C170X090ABT		PINK			
C170X090AMT		SILVER			
C170X090APT		WHITE			
C170X090AQT		LT BLUE			
C170X090AST		GREEN			
C170X090AVT		PURPLE			
C170X090AWT		RED			



REV	DATE	BY	CHK	APR	DESCRIPTION	ECN
2	2/26/13	RVU	DAPE	SEWH	Add the two new RP part numbers C170X090ABT (Pink) Tia Red and C170X090AVT (Purple). C170X090APT, GMH3 WAS GMH3-W. PN SEQUENCE LIST. GMH3-W WAS GMH3 FOR WHITE ONLY. ADD ISO VIEW.	GAECN00633
1	1/29/13	RVU	DAPE	SEWH		GAECN00561
0	10/10/12	RVU	DAPE		DRAWING RELEASE.	GAECN00298

<p>TITLE CUSTOMER DRAWING RAISED PANEL COMPONENT LABELS C170X090A*T CUSTOMER DRAWING</p>					
<p>ITEM REVISION NAME 100491BX/03</p>					
<p>DATASET FILE NAME 100491BX-DC-C11025/03C</p>					
<p>UNLESS OTHERWISE SPECIFIED, DIMENSIONAL TOLERANCES ARE: IN [mm]</p> <p>.x ± .12 [3.05] .xxx ± .025 [.635] .xx ± .062 [1.57] ANGLES ±</p>					
<p>MATERIAL: SEE TABLE</p>					
<p>DRAWING NUMBER: C11025</p>					
DRAWN BY RVU	DATE 9/5/12	CHK MSAD	SCALE NTS	SHT 1 OF 1	
					SIZE A

D10100DA/12