

Mast mount

SICK
Sensor Intelligence.

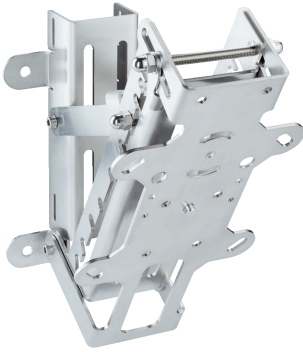


Illustration may differ

Ordering information

Type	Part no.
Mast mount	2079939

Other models and accessories → www.sick.com/

Detailed technical data

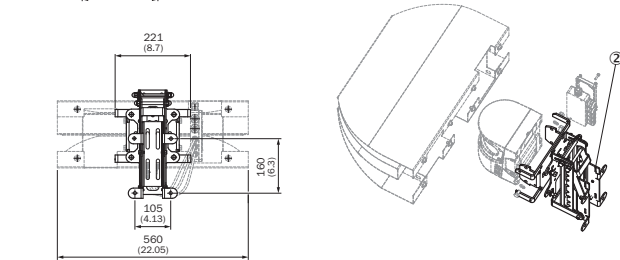
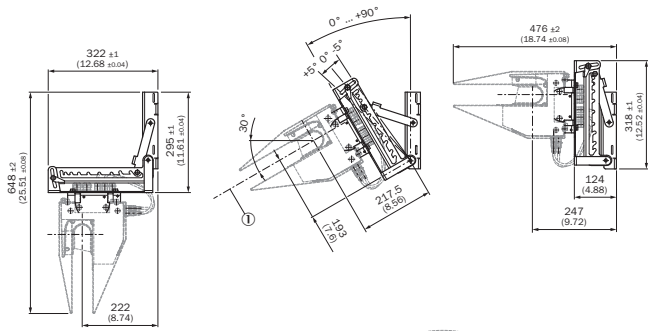
Technical specifications

Accessory group	Terminal and alignment brackets
Accessory family	Alignment brackets
Material	Stainless steel 1.4301 (V2A)
Items supplied	Post bracket, Mounting screws
Dimensions (W x H x L)	157 mm x 318 mm x 124 mm
Description	Mast mount. When mounting with tightening straps, suitable for mast diameter of 95 mm or greater.

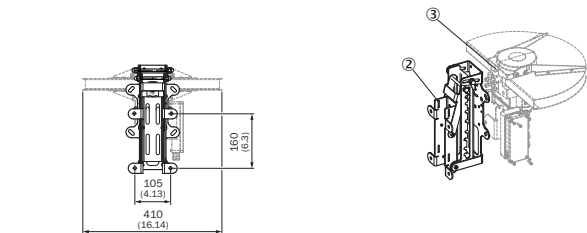
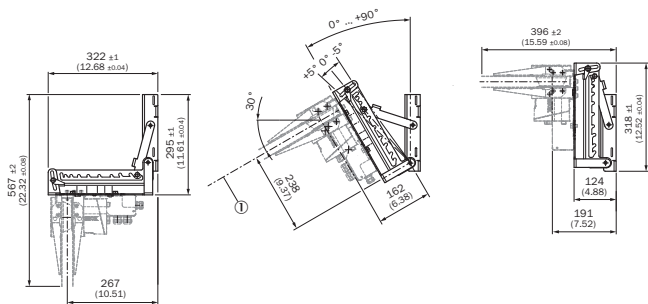
Classifications

eCl@ss 5.0	27279202
eCl@ss 5.1.4	27279202
eCl@ss 6.0	27279202
eCl@ss 6.2	27279202
eCl@ss 7.0	27279202
eCl@ss 8.0	27279202
eCl@ss 8.1	27279202
eCl@ss 9.0	27273701
eCl@ss 10.0	27273701
eCl@ss 11.0	27273701
eCl@ss 12.0	27273701
ETIM 5.0	EC002024
ETIM 6.0	EC002024
ETIM 7.0	EC002024
ETIM 8.0	EC002024
UNSPSC 16.0901	32131023

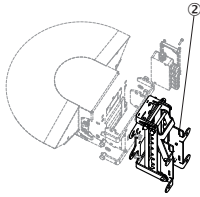
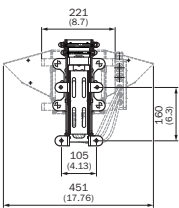
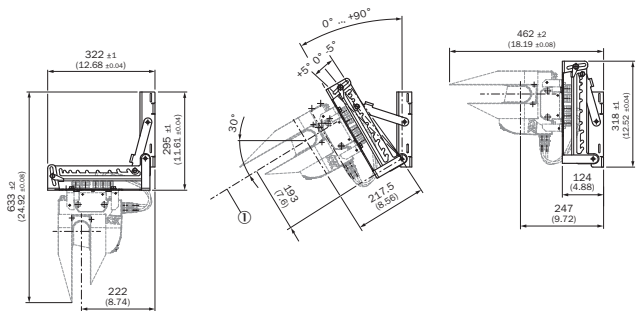
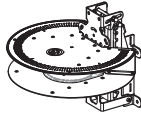
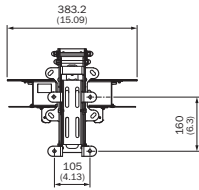
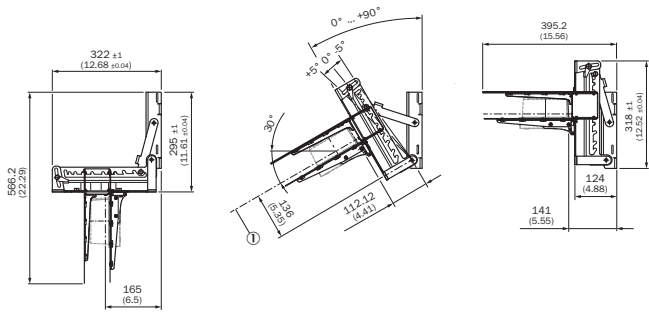
Dimensional drawing (Dimensions in mm (inch))



- ① Center of the optical axis
- ② Groove for tightening straps



- ② Groove for tightening straps



- ① Center of the optical axis
- ② Groove for tightening straps

SICK AT A GLANCE

SICK is one of the leading manufacturers of intelligent sensors and sensor solutions for industrial applications. A unique range of products and services creates the perfect basis for controlling processes securely and efficiently, protecting individuals from accidents and preventing damage to the environment.

We have extensive experience in a wide range of industries and understand their processes and requirements. With intelligent sensors, we can deliver exactly what our customers need. In application centers in Europe, Asia and North America, system solutions are tested and optimized in accordance with customer specifications. All this makes us a reliable supplier and development partner.

Comprehensive services complete our offering: SICK LifeTime Services provide support throughout the machine life cycle and ensure safety and productivity.

For us, that is “Sensor Intelligence.”

WORLDWIDE PRESENCE:

Contacts and other locations –www.sick.com