



Product designation	Rotary cam switches		
Product type designation	7GN63		
<b>General characteristics</b>			
Switching diagram	10 - ON/OFF switch 3 poles		
N° of elements	2		
Mounting form	U65 - Front mounting with red/yellow handle padlockable in 0 and protection covers		
<b>Contact characteristics</b>			
Rated insulation voltage $U_i$	IEC/EN	V	690
	UL/CSA	V	600
Rated impulse withstand voltage $U_{imp}$		kV	6
Conventional free air thermal current $I_{th}$	IEC/EN	A	63
	UL/CSA	A	60
Rated operational voltage		V	480
Rated operational impulse voltage		kV	4
Maximum fuse size for short-circuit protection $I_n$ (gG)	10kA	A	63
	15kA	A	63
	25kA	A	63
	50kA	A	63
	63kA	A	63
Rated short time current $I_{cw}$	1s	A	1600
	Conductivity 10/5 mA/V		
Operational current $I_e$ IEC/EN	AC1/AC21A		A 63
	AC15		
Rated operational power in AC	110V	A	32
	220/230V	A	25
	380/400V	A	15
	660/690V	A	4
	Three-phase AC-3		
Single-phase AC-3	220/230V	kW	11
	380/440V	kW	18.5
	500/690V	kW	18.5

	110V	kW	3.7
	220/230V	kW	6.5
	380/440V	kW	11.5
<hr/>			
Three-phase AC23A			
	220/230V	kW	12.5
	380/440V	kW	30
	500/690V	kW	30
<hr/>			
Single-phase AC23A			
	110V	kW	3.7
	220/230V	kW	7.5
	380/440V	kW	12.5
<hr/>			
Rated operational current in DC			
DC21A			
	48V	A	63
	60V	A	50
	110V	A	8
	220V	A	1
<hr/>			
DC23A (poles in series)			
	24V	A	50 (1)
	48V	A	50 (2)
	60V	A	50 (3)
	110V	A	25 (3)
	220V	A	15 (4)
<hr/>			
DC13			
	24V	A	63
	48V	A	40
	60V	A	28
	110V	A	3.3
<hr/>			
Power dissipation		W	3.4
<hr/>			
<b>Mechanical features</b>			
Terminals screw			M5
Tightening torque for terminals max		Nm	2
<hr/>			
Conductor size			
AWG - Rigid cable			
	min	AWG	14
	Max	AWG	6
<hr/>			
AWG - Flexible cable			
	min	AWG	14
	Max	AWG	8
<hr/>			
Conductor size (IEC) - Flexible cable			
	min	mm <sup>2</sup>	2.5
	Max	mm <sup>2</sup>	10
<hr/>			
Conductor size (IEC) - Rigid cable			
	min	mm <sup>2</sup>	2.5
	Max	mm <sup>2</sup>	16
<hr/>			
Mechanical life		cycles	5x10 <sup>6</sup>
<hr/>			
<b>UL technical data</b>			
Motor power for direct-on-line control			
for three-phase motor			
	120V	HP	7.5
	240V	HP	15
	480V	HP	25
	600V	HP	25
<hr/>			
for single-phase motor			

120V	HP	3
240V	HP	10

**Ambient conditions**

Temperature

Operating temperature

min	°C	-25
max	°C	+55

Storage temperature

min	°C	-40
max	°C	+70

**Resistance & Protection**

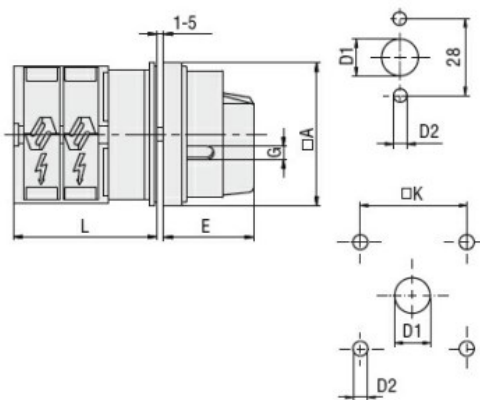
Frontal IP degree

IP40

Terminals IP degree

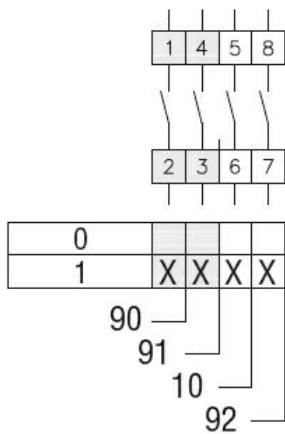
IP00

**Dimensions**



Series	Dimensions						L			
	□A	D1	D2	E	G	□K	1	2	3...12	
7GN12	65	12	5	34.2	5	36	36.1	45.8	55.5	142.8
7GN20	65	12	5	34.2	5	36	36.1	45.8	55.5	142.8
7GN25	65	12	5	34.2	5	36	40.5	54.1	67.7	190.1
7GN32	65	14	5	38	6	48	46.5	61.6	76.7	212.6
7GN40	65	14	5	38	6	48	46.5	61.6	76.7	212.6
7GN63	65	14	5	38	6	48	50.3	68.4	86.5	249.4
7GN125	90	16	6	49	7	68	67.3	96.4	125.5	394.9

**Wiring diagrams**



**Certifications and compliance**

Compliance

- CSA C22.2 n° 14
- IEC/EN/BS 60947-1
- IEC/EN/BS 60947-3
- IEC/EN/BS 60947-5-1
- UL60947-4-1

Certificates

- cCSAus
- EAC
- UL

**ETIM classification**

ETIM 8.0

EC001105 - Off-load switch

