



Product designation				Enclosed switch disconnecter
Product type designation				GAZ...DT...
Number of poles	Nr.			2
Operating voltage type				DC
<b>Contact characteristics</b>				
IEC Conventional free air thermal current I <sub>th</sub>	A			40
Rated insulation voltage U <sub>i</sub> IEC/EN	V			1500
Rated impulse withstand voltage U <sub>imp</sub>	kV			8
Operating current I <sub>e</sub>				
DC21A				
	600V	A	40	
	800V	A	40	
	1000V	A	40	
	1200V	A	32	
	1500V	A	25	
DC21B				
	600V	A	40	
	800V	A	40	
	1000V	A	40	
	1200V	A	32	
	1500V	A	25	
DCPV1				
	Operating current I <sub>e</sub> 600V	A	40	
	Operating current I <sub>e</sub> 800V	A	40	
	Operating current I <sub>e</sub> 1200V	A	32	
	Operating current I <sub>e</sub> 1500V	A	25	
DCPV1				
	600V	A	40	
	800V	A	40	
	1200V	A	32	
	1500V	A	25	
Power dissipation per pole max	W			1.9
Rated short time current (1s) I <sub>cw</sub> (rms)	kA			0.5
Mechanical life	cycles			10000
<b>Mechanical features</b>				
Operating position	normal allowable			Vertical plan Any
Terminals	type			Screw with washer
	width	mm	5.6	
	height	mm	6.5	
	screw			M4
	tool			Phillips 1

Tightening torque for terminals

min	Nm	1.2
max	Nm	1.6
min	lbin	10
max	lbin	14

Conductor section

IEC min	mm <sup>2</sup>	1
IEC max	mm <sup>2</sup>	10
AWG/kcmil min		18
AWG/kcmil max		8

Ambient conditions

Operating temperature

min	°C	-25
max	°C	+55

Storage temperature

min	°C	-40
max	°C	+70

Max altitude

m	3000
---	------

Resistance & Protection

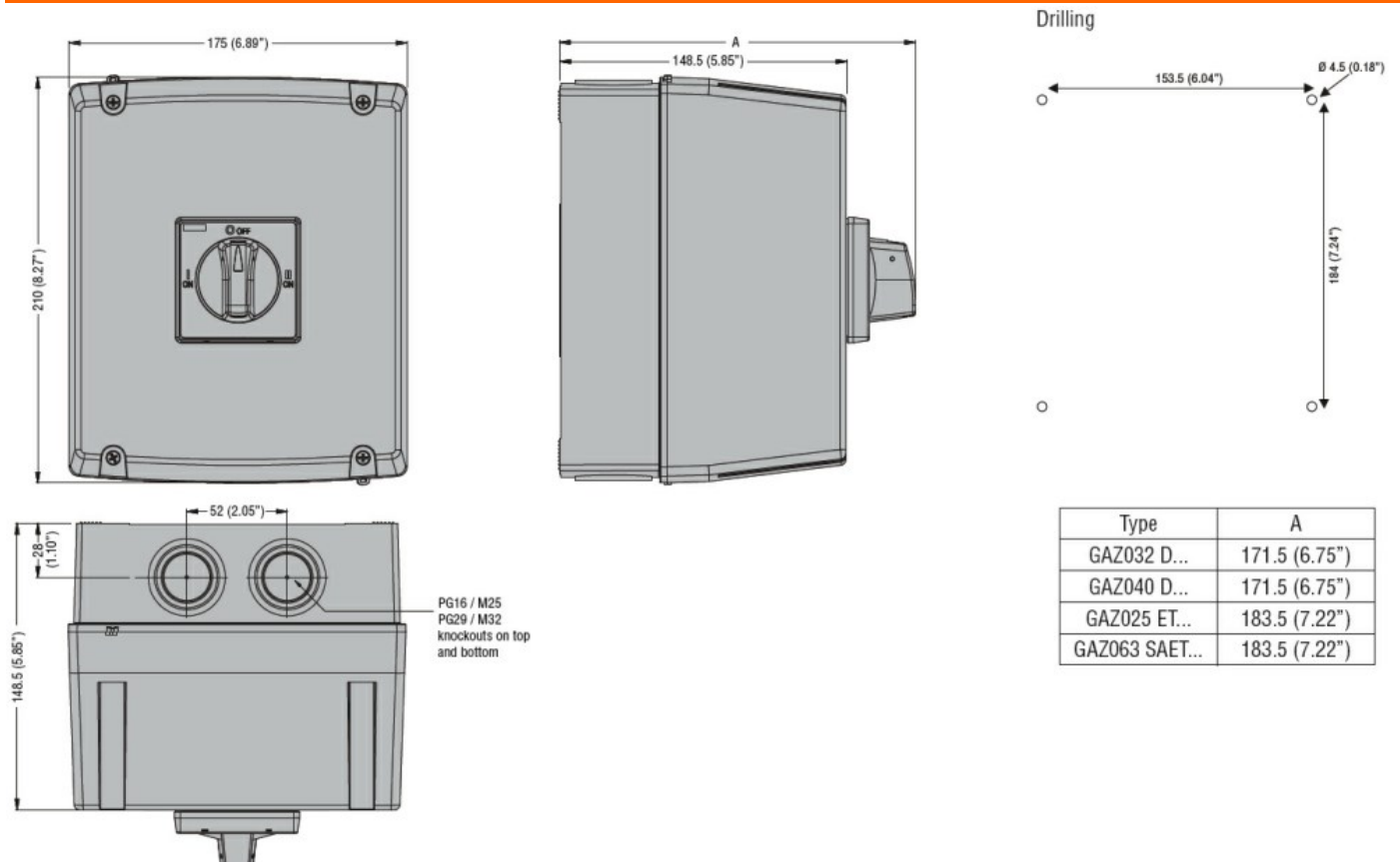
Frontal IP degree

IP65

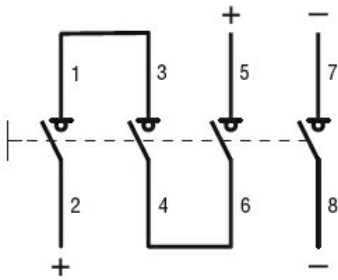
IP degree of protection

IP65

Dimensions



Wiring diagrams



**Certifications and compliance**

Compliance

IEC/EN 60947-1

IEC/EN 60947-3

Certifications

EAC

**ETIM classification**

ETIM 8.0

EC000216 -  
Switch  
disconnecter