

Product designation				Rotary cam switches
Product type designation				7GN12
General characteristics				
Switching diagram				12 - Star-delta motor starter switch
N° of elements				4
Mounting form				P - Plastic enclosure with black handle
Contact characteristics				
Rated insulation voltage U_i	IEC/EN	V	690	
	UL/CSA	V	600	
Rated impulse withstand voltage U_{imp}			kV	6
Conventional free air thermal current I_{th}	IEC/EN	A	16	
	UL/CSA	A	15	
Rated operational voltage			V	480
Rated operational impulse voltage			kV	4
Maximum fuse size for short-circuit protection I_n (gG)	10kA	A	16	
	15kA	A	10	
	25kA	A	10	
Rated short time current I_{cw}			1s	A
				200
Conductivity				10/5 mA/V
Operational current I_e IEC/EN	AC1/AC21A		A	16
	AC15			
	110V	A	10	
	220/230V	A	8	
	380/400V	A	4	
	660/690V	A	1.5	
Rated operational power in AC	Three-phase AC-3			
	220/230V	kW	2.5	
	380/440V	kW	4	
	500/690V	kW	5.5	
	Single-phase AC-3			
	110V	kW	0.8	
	220/230V	kW	1.5	
	380/440V	kW	2.2	
	Three-phase AC23A			
	220/230V	kW	3	
	380/440V	kW	5.5	
	500/690V	kW	7.5	
Single-phase AC23A				
110V	kW	0.8		
220/230V	kW	1.7		
380/440V	kW	3		

Rated operational current in DC
DC21A

48V	A	12
60V	A	12
110V	A	4
220V	A	0.6
440V	A	0.25

DC23A (poles in series)

24V	A	10 (1)
48V	A	10 (2)
60V	A	10 (3)
110V	A	5 (3)
220V	A	5 (4)

DC13

24V	A	12
48V	A	10
60V	A	8
110V	A	1
220V	A	0.4
440V	A	0.15

Power dissipation W 0.8

Mechanical features

Terminals screw M3

Tightening torque for terminals max Nm 0.5

Conductor size

AWG - Rigid cable

min	AWG	20
Max	AWG	12

AWG - Flexible cable

min	AWG	20
Max	AWG	14

Conductor size (IEC) - Flexible cable

min	mm ²	0.5
Max	mm ²	2.5

Conductor size (IEC) - Rigid cable

min	mm ²	0.5
Max	mm ²	2.5

Mechanical life cycles 3x10⁶

UL technical data

Motor power for direct-on-line control

for three-phase motor

120V	HP	1.5
240V	HP	3

for single-phase motor

120V	HP	0.5
240V	HP	1

Ambient conditions

Temperature

Operating temperature

min	°C	-25
max	°C	+55

Storage temperature

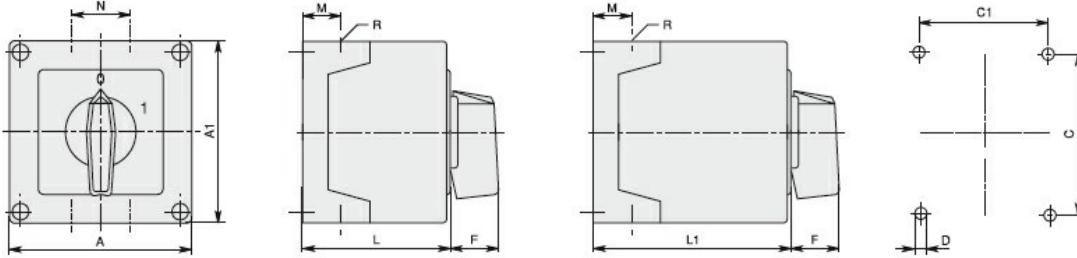
min	°C	-40
max	°C	+70

Resistance & Protection

Frontal IP degree IP65

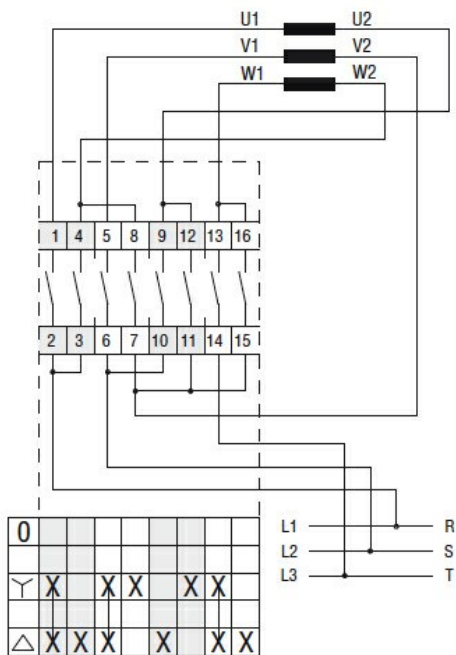
Terminals IP degree IP00

Dimensions



Series	Enclosure size	Number of elements		Dimensions										Cable entry	Protection degree
		L	L1	A	A1	C	C1	D	F	M	N	L	L1		
7GN12	75x75	1-2	3-4	75	75	50	64	4.5	19	14	28	57.5	79.8	4xPG13.5	IP65
7GN20		1-2	3-4												
7GN25		1	2-3												
7GN12	90x90	1-3	4-6	90	90	79	63	4.5	25	19	30	71.3	98.3	4xPG16	IP65
7GN20		1-3	4-6												
7GN25		1-2	3-4												
7GN32		1-2	3-4												
7GN40		1	2-3												
7GN12	110x110	1-4	5-8	110	110	98.4	83	4.5	32	21	39.5	85.5	119.5	4xPG21	IP65
7GN20		1-4	5-8												
7GN25		1-3	4-5												
7GN32		1-3	4-5												
7GN40		1-2	3-5												
7GN63		1-2	3-4												
7GN32	125x175	1-3	4-5	125	175	146	112	5.5	32	21	68	84.3	118.3	4xPG21 2xPG11	IP65
7GN40		1-2	3-4												
7GN63		1-2	3-4												
7GN125		1	2												
7GN32	180x254	1-5	6-8	180	254	120	190	5.5	32	35	76	121	175	4xPG29 2xPG11	IP65
7GN40		1-4	5-7												
7GN63		1-3	4-6												
7GN125		1-2	3-4												

Wiring diagrams



Certifications and compliance

Compliance

IEC/EN/BS 60947-1

IEC/EN/BS 60947-3

IEC/EN/BS 60947-5-1

Certificates

EAC

ETIM classification

ETIM 8.0

EC001029 -
Selector switch,
complete