



## Product Compliance

[For compliance documentation, visit the product page on TE.com>](#)

EU RoHS Directive 2011/65/EU	Compliant
EU ELV Directive 2000/53/EC	Compliant
China RoHS 2 Directive MIIT Order No 32, 2016	No Restricted Materials Above Threshold
EU REACH Regulation (EC) No. 1907/2006	Current ECHA Candidate List: JUNE 2022 (224) Candidate List Declared Against: JUNE 2022 (224) Does not contain REACH SVHC
Halogen Content	Low Halogen - Br, Cl, F, I < 900 ppm per homogenous material. Also BFR/CFR/PVC Free
Solder Process Capability	Not reviewed for solder process capability


### Product Compliance Disclaimer

This information is provided based on reasonable inquiry of our suppliers and represents our current actual knowledge based on the information they provided. This information is subject to change. The part numbers that TE has identified as EU RoHS compliant have a maximum concentration of 0.1% by weight in homogenous materials for lead, hexavalent chromium, mercury, PBB, PBDE, DBP, BBP, DEHP, DIBP, and 0.01% for cadmium, or qualify for an exemption to these limits as defined in the Annexes of Directive 2011/65/EU (RoHS2). Finished electrical and electronic equipment products will be CE marked as required by Directive 2011/65/EU. Components may not be CE marked. Additionally, the part numbers that TE has identified as EU ELV compliant have a maximum concentration of 0.1% by weight in homogenous materials for lead, hexavalent chromium, and mercury, and 0.01% for cadmium, or qualify for an exemption to these limits as defined in the Annexes of Directive 2000/53/EC (ELV). Regarding the REACH Regulation, the information TE provides on SVHC in articles for this part number is based on the latest European Chemicals Agency (ECHA) 'Guidance on requirements for substances in articles' posted at this URL: <https://echa.europa.eu/guidance-documents/guidance-on-reach>

## Compatible Parts

<p>TE Part # 1SNA167677R0500 EXBR</p>	<p>TE Part # 1SNA173844R2300 PSV3</p>
---	---

## Customers Also Bought



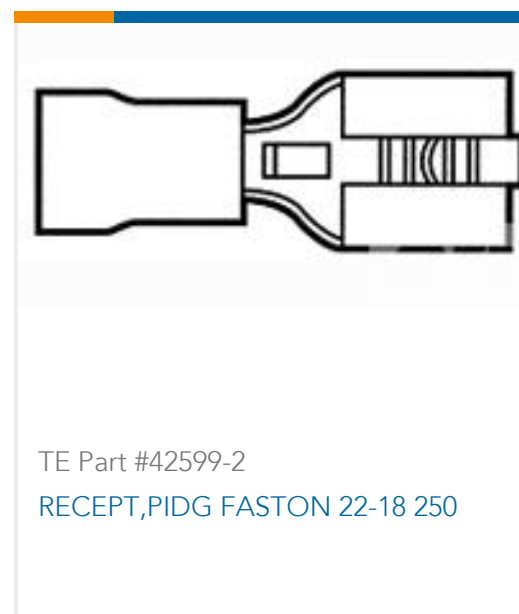
TE Part #59239-4  
HHHT PIDG PG 12-10 ASSY



TE Part #47387-7  
DAHT PG PIDG 16-12 ASSY



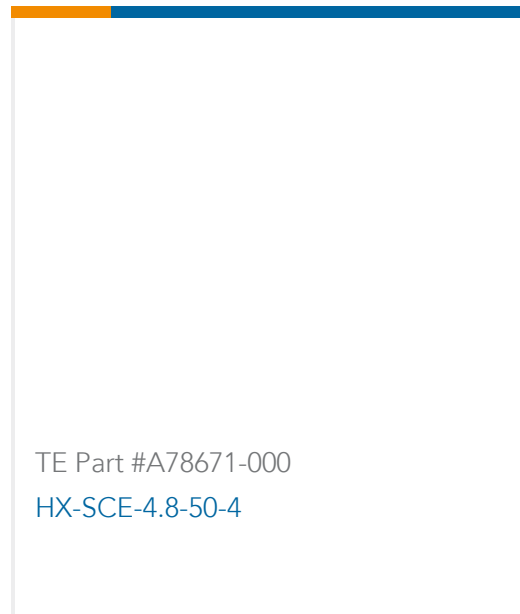
TE Part #T4110511041-000  
M12 F, 4P GOLD D\_CODE S  
SHIELDED PG7



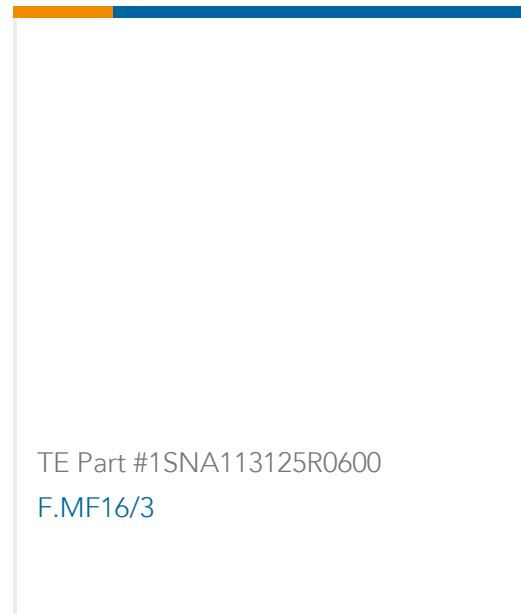
TE Part #42599-2  
RECEPT, PIDG FASTON 22-18 250



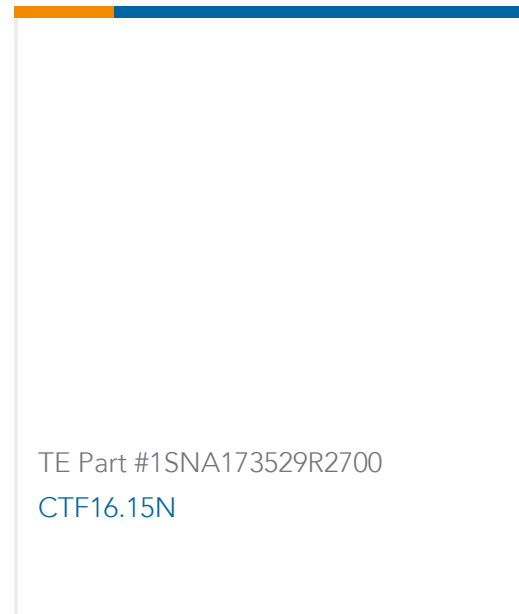
TE Part #2-1755142-0  
7022WCITV=RLY,STD,OFF,2P,96V,15S,  
I,T,V



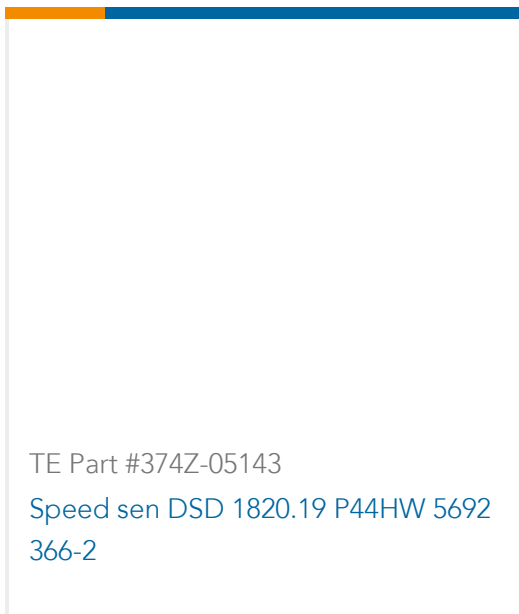
TE Part #A78671-000  
HX-SCE-4.8-50-4



TE Part #1SNA113125R0600  
F.MF16/3



TE Part #1SNA173529R2700  
CTF16.15N



TE Part #374Z-05143  
Speed sen DSD 1820.19 P44HW 5692  
366-2

## Documents

[Datasheets & Catalog Pages](#)

[CTF16.35N](#)

English