

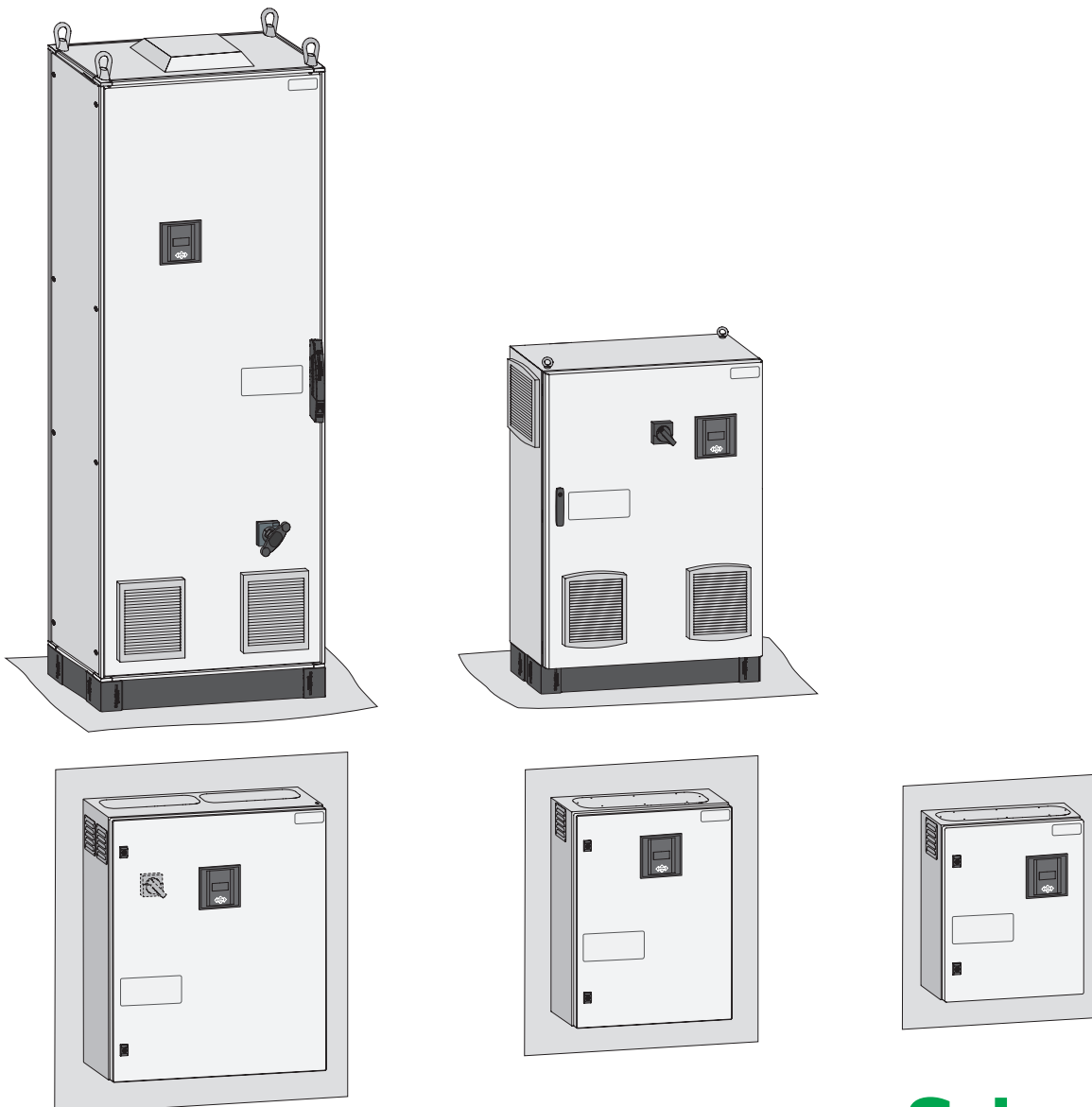
Low Voltage
Basse Tension
Baja Tensión

VarSet Easy

Installation, commissioning and operation manual
Guide d'installation, mise en service et exploitation
Guía de instalación, para la puesta en marcha y explotación

Enclosures
Coffrets
Cofrets

VLVAW0L, VLVAW1L, VLVAW2L, VLVATJ, VLVAF3L, VLVAF5L



Energy
Efficiency



Immediate
Saving

General contents Sommaire général Indice general

en

English 3

fr

Français 29

es

Español 55

Safety instructions	4
---------------------	---

General points

Introduction	6
Technical characteristics	7
Dimensions and weights of the equipment	9
Characteristics of the installation premises	10
Characteristics of the installation upstream of the equipment	13
Characteristics of customer cables	14

Installation

Floor-standing or Wall-mounted installation	16
Electrical connections	18
Power-up	23
Controller set up	24

Operation

Controller management	26
-----------------------	----

Maintenance

Maintenance plan	27
Troubleshooting - End of life and recycling	28



Important information

Please read these instructions carefully and examine the equipment to become familiar with its operation before installing or servicing it. The following special messages that you will come across in this document or on the device are designed to warn you about potential hazards or draw your attention to information that will clarify or simplify a procedure.



The addition of one of these two symbols to a "Danger" or "Warning" safety label indicates that there is an electrical hazard that can result in injury if the instructions are not followed.



This is the safety warning symbol. It warns you of potential risks of personal injury. You must comply with all safety messages that follow this symbol in order to avoid the risk of injury or death.

⚠ DANGER
DANGER indicates an imminently hazardous situation which, if not avoided, will result in death or serious injury.

⚠ WARNING
WARNING indicates a potentially hazardous situation which, if not avoided, can result in death or serious injury.

⚠ CAUTION
CAUTION indicates a potentially hazardous situation which, if not avoided, can result in minor or moderate injury or equipment damage.

NOTICE
NOTICE is used to address practices not related to physical injury. The safety alert symbol is not used with this signal word.

NOTE: Provides additional information to clarify or simply a procedure.

Please note

Electrical equipment should be installed, operated, serviced and maintained only by qualified personnel. Schneider Electric will not accept any liability for consequences arising from the use of this material.

A qualified person is a person who has the skills and know-how relating to the construction, installation and operation of electrical equipment and who has received a safety training which enables him to recognize and avoid risks.

Before you begin

- This manual cannot be used to define or determine the suitability or reliability of these products for specific user applications. It is the duty of any such user or integrator to perform the appropriate and complete risk analysis, evaluation and testing of the products with respect to the relevant specific application or use thereof.
- When devices are used for applications with technical safety requirements, the relevant instructions must be followed.

DANGER

HAZARD OF ELECTRICAL SHOCK, EXPLOSION OR ARC FLASH

- Apply appropriate personal protective equipment (PPE) and follow safe electrical work practices. See NFPA 70E, CSA Z462 or equivalent local standards.
- This equipment must only be installed and serviced by qualified electrical personnel.
- Turn off all power supplying this equipment before working on or inside equipment.
- Always use a properly rated voltage sensing device to confirm power is off.
- Before touching any live parts, allow at least 5 minutes for the equipment to self-discharge and then short-circuit each capacitor terminal together and ground.
- Replace all devices, doors and covers before turning on power to this equipment.

Failure to follow these instructions will result in death or serious injury.

- The equipment is factory-assembled and does not require any action during the installation except those indicated below.

CAUTION

RISK OF DEGRADATION OF EQUIPMENT PERFORMANCE

Do not modify the mechanical or electrical parts.

Failure to follow this instruction can result in minor or moderate injury or equipment damage.

CAUTION

RISK OF BURNS

During operation and for a few minutes after stopping, equipment components may be very hot.

Before any intervention, check that metal parts have cooled down sufficiently to be touched.

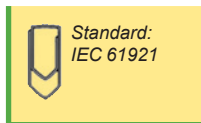
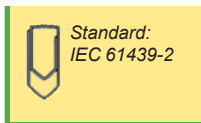
Failure to follow this instruction can result in minor or moderate injury or equipment damage.

You have just received your low voltage energy-efficiency equipment designed and manufactured by Schneider Electric. To help you make the best use of it, we have created this manual. It provides all the information you need to prepare for the installation, to install and operate your equipment.

We urge you to read it attentively and follow its recommendations.

- No part of this document may be reproduced in any form or by any means, whether electronic or mechanical, including photocopying, without the express written authorisation of Schneider Electric.
- All relevant local, regional and national regulations must be complied with when installing and using this product.
- For safety reasons and in order to guarantee compliance with documented system data, outside of the actions recommended in the maintenance plan on page 27, only the manufacturer is authorised to carry out repairs on the components.
- If you have any suggestions for improving this publication, do not hesitate to inform us using the contact details given at the end of this manual.





General characteristics

- Voltage, frequency, power, as per rating plate.
- Insulation voltage: 500 V up to 30 kvar, 690 V from 37 kvar.
- T50 Hz, 1 min withstand: 2.5 kV.
- Permissible rated short-time current: 15/35 kA (depending on model).
- Communication: Modbus RS485 2 wires.
- Auxiliary power supply: 220/230/400 V 50 Hz (depending on model).
- IP protection rating: IP31.
- Equipped with generator set (terminals Xa1 - Xa2).
- Colour: RAL 7035
- Compliant with IEC 61439-2 and IEC 61921.
- IK10.
- Contact for capacitor bank alarm annunciation (terminals XA3 - XA4).

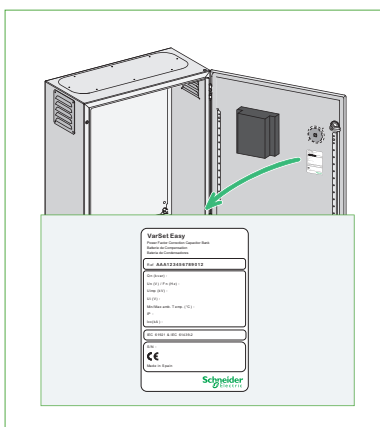
Characteristics of the capacitors

- Rating tolerance: -5 to +10 %.
- Permissible voltage overload (8 hours out of 24 hours as defined in IEC 60831-1/2): 10 %.



Operating limits

- Indoor use only.
- Voltage and frequency power supply: 400/415 V - 50 Hz.



Location of the rating plate.

Rating plate

VarSet Easy
Power Factor Correction Capacitor Bank
Batterie de Compensation
Bateria de Condensadores

Ref: **AAA123456789012**

Qn (kvar) :
Un (V) / Fn (Hz) :
Uimp (kV) :
Ui (V) :
Min/Max amb. Temp. (°C) :
IP :
Icc(kA) :

IEC 61921 & IEC 61439-1

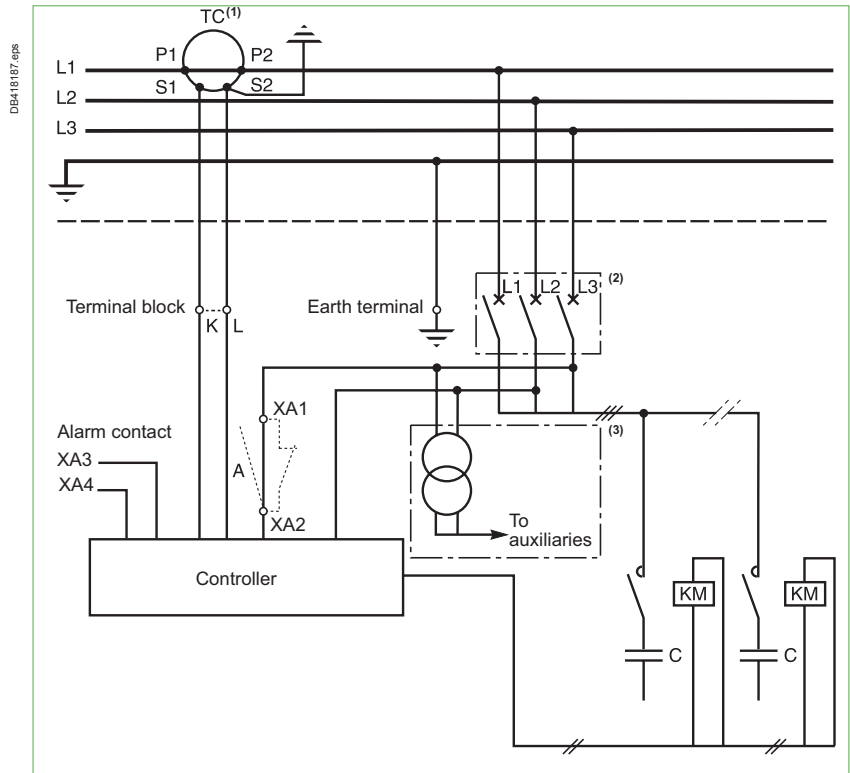
S/N :
CE
Made in France

Schneider
Electric

Composition of the equipment

Type	Circuit breaker	Wiring diagram
VLVATJ, VLVAW0L, VLVAW1L, VLVAW2L, VLVAF3L, VLVAF5L	with / without	

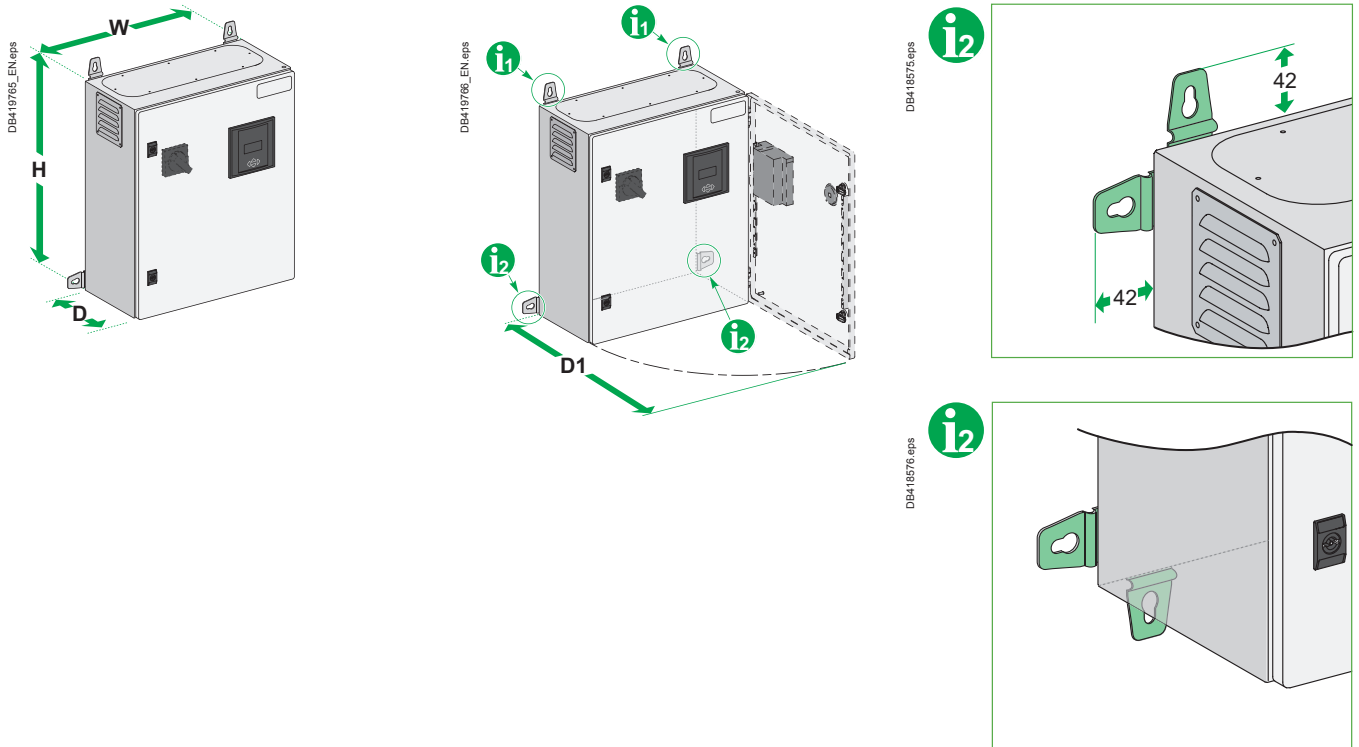
Wiring diagram



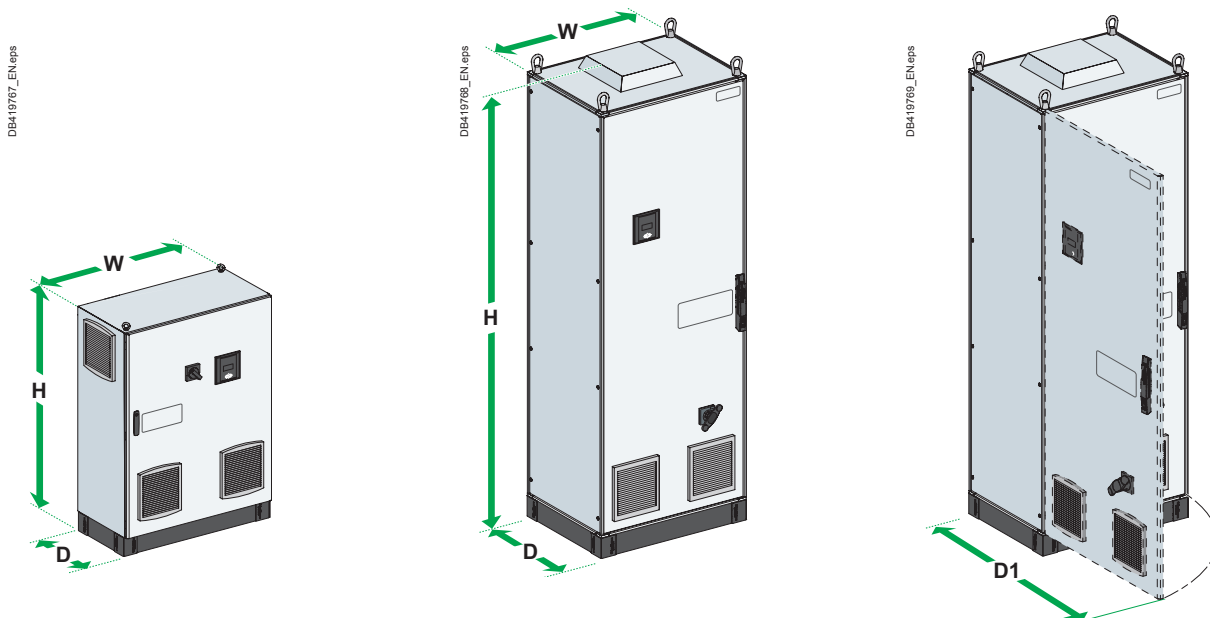
- (1) Only provided in equipments with VLVATJ references (consult Schneider Electric for a current transformer to be supplied).
- (2) For variant with incoming circuit breaker.
- (3) For variant with transformer.

Dimensions and weights of the equipment

VLVATJ, VLVAW0L, VLVAW1L and VLVAW2L enclosures



VLVAF3L and VLVAF5L cubicles



Dimensions (mm) and maximum weight (kg)

Type	Enclosure					Cubicle	
	VLVATJ (10 to 50 kVAR)	VLVATJ (60 to 90 kVAR)	VLVAW0L	VLVAW1L	VLVAW2L	VLVAF3L	VLVAF5L
H	600	700	600	800	1000/1200 ⁽¹⁾	1100	2200
W	500	500	500	600	800	800	800
D	250	250	250	250	300	400	600
D1	735	735	735	830	1080	1175	1361
Weight	36	45	36	58	95/100 ⁽¹⁾	140	340

⁽¹⁾ Plinth.

Characteristics of the installation premises

General characteristics

- Temperatures:
 - maximum temperature: 45 °C
 - average temperature over 24h : 35 °C
 - minimum temperature: -5 °C.
- Ventilation: place the equipment in well-ventilated premises.
- IP31.
- Pollution: degree of pollution 2 (IEC 61010-1).
- Humidity: ≤ 95 %.
- Altitude: ≤ 2,000 m.

DANGER

HAZARD OF ELECTRIC SHOCK, EXPLOSION OR ARC FLASH

- Do not install the equipment in a dirty or dusty environment regardless of the type of dirt or dust.
- Do not install the equipment in areas where risks of fluid leakage are probable (passage of pipelines close to the equipment, etc.).
- Do not install this equipment in ATEX-classified areas (explosive atmosphere).

Failure to follow these instructions will result in death or serious injury.

WARNING

RISK OF HEATING INSIDE THE EQUIPMENT

Do not install the equipment on heated floors (underfloor heating, heating elements, heating pipes for heat transfer fluids).

Failure to follow these instructions can result in death, serious injury or equipment damage.

Operating limits

- Indoor use only.
- Power supply:
 - mains supply voltage fluctuations: -10 % to +10 % of the nominal voltage
 - transient overvoltage for the mains supply: installation category III (IEC 61010-1)
 - distortion and harmonics: NLL (Non Linear Load) ≤ 15 %.

Cleanliness

- The place where the equipment is to be installed must be clean.
- As the equipment is highly sensitive to dust, it is recommended to apply an anti-dust paint on the floor in order to limit the risk of dust accumulation inside the equipment.

Other operating conditions

For any installation not compliant with these characteristics, please contact Schneider Electric.

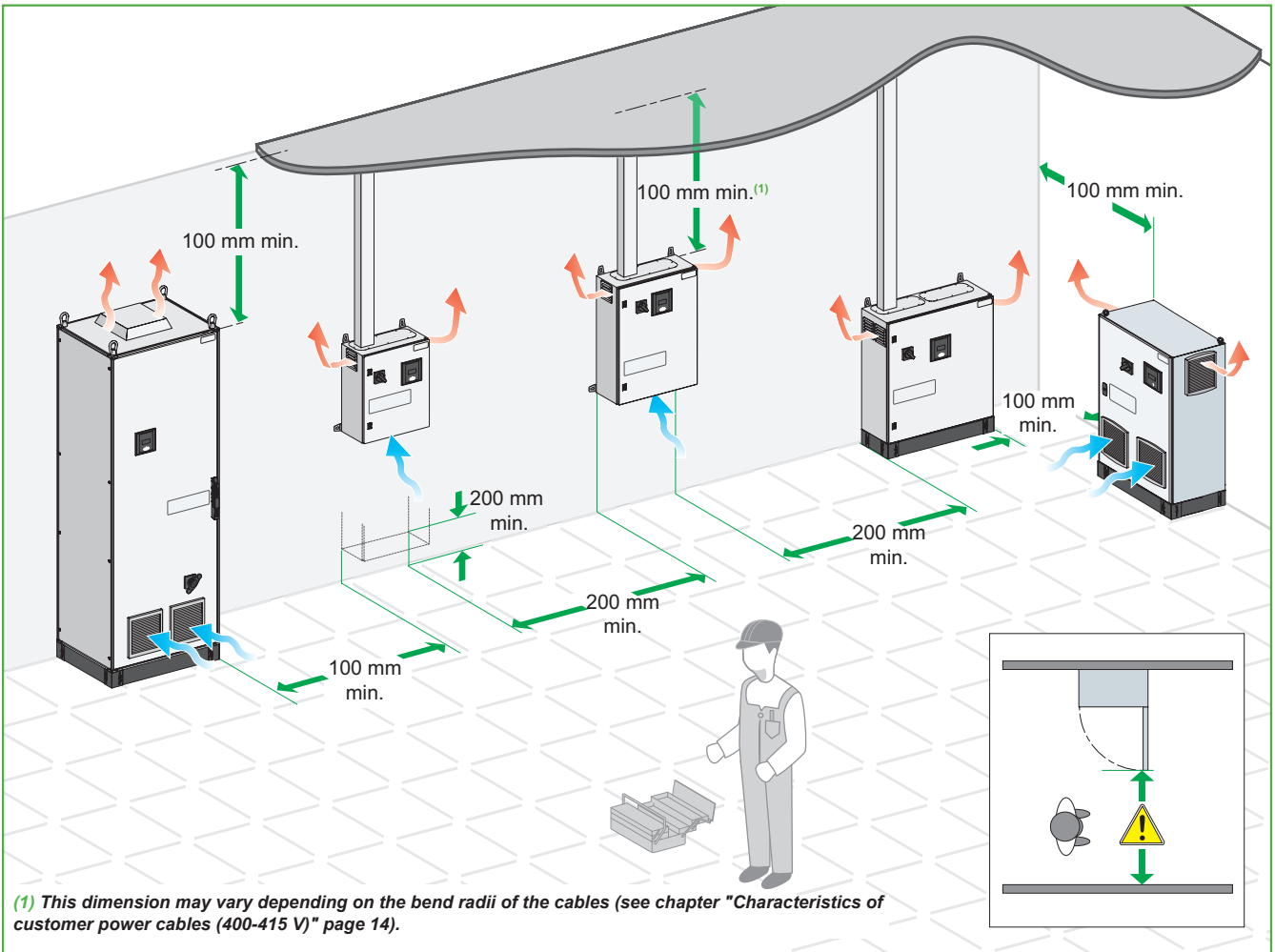
Characteristics of the installation premises



Free space around the equipment

Provide:

- space necessary for the proper ventilation of the equipment
- sufficient space for incoming low-current and high-current cables
- sufficient space around the equipment for future extensions
- sufficient space for maintenance operations
- sufficient space for opening the doors
- free space near the air inlets and outlets.



▲ WARNING

RISK OF HEATING INSIDE THE EQUIPMENT

- Provide the minimum spacing distances specified around the ventilation inlets and outlets (100 mm minimum).
 - Provide a spacing of at least 200 mm between 2 ventilation outlets located opposite each other.
 - Do not place any heat source opposite a ventilation inlet.
- Failure to follow these instructions can result in death, serious injury or equipment damage.**

▲ WARNING

RISK OF OBSTRUCTING ESCAPE ROUTES

Provide the safety distances to allow passage in the event of evacuation of the premises, in accordance with applicable regulations.

Failure to follow these instructions can result in death, serious injury or equipment damage.

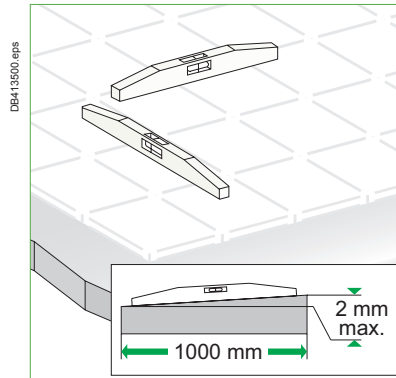
Characteristics of the installation premises

Characteristics of floors and walls

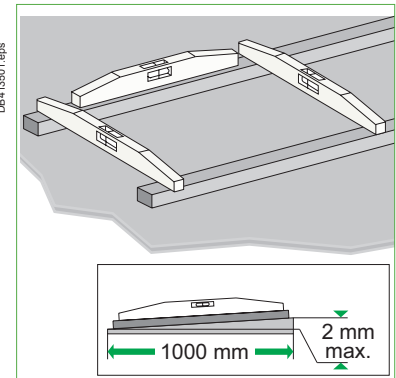
The floor or the wall must be as level as possible. The accepted tolerance is ± 2 mm/m. If not, use U-, T-, I-shaped section supports while checking that these are upright and level in both directions.

Preparation of floors and walls

Evenness and horizontality of the floors

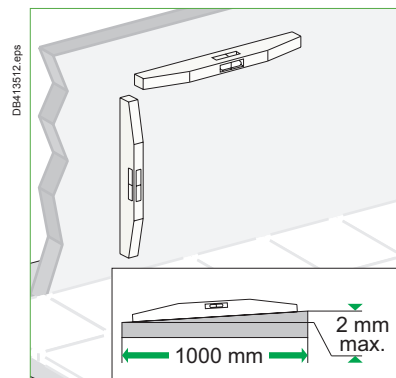


Level check.

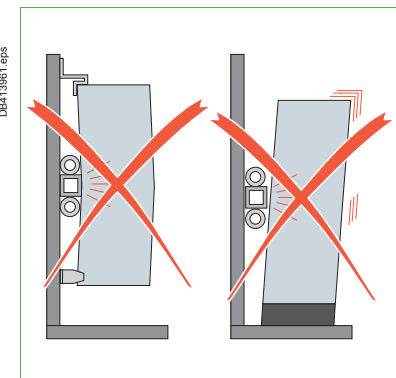


Level check.

Evenness of the walls

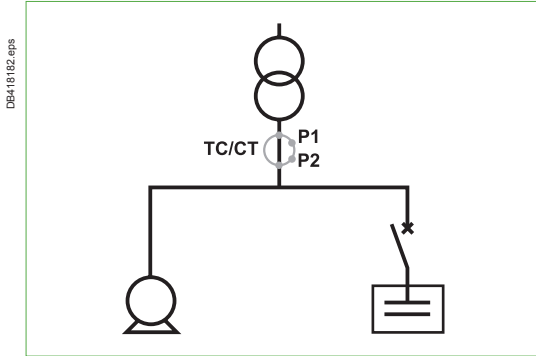


Level check.



No element must press against the rear side of the equipment.

Characteristics of the installation upstream of the equipment



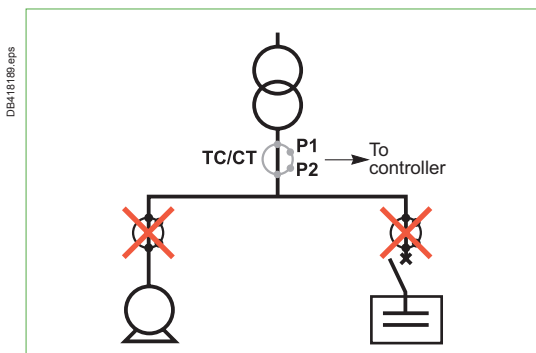
Protection upstream of the equipment.

Protection upstream of the equipment

To protect your capacitor bank, you must have an upstream short circuit protection device (Circuit Breaker) which is compatible with the electrical network.

This device allows you to:

- lockout your equipment
- protects your capacitor bank against short circuit.



Location of the CT on the power circuit.

Current measurement for automatic power factor correction

Characteristics of the current transformer

- Ensure it has a 5 A max. secondary.
- Ensure it has a power rating greater than 10 VA.
- Ensure that the class is c11.

Location of the current transformer

■ You must install the CT upstream of the equipment and the loads (motors, etc.); see diagram on the left.

Do not make any branching

The current transformer must be dedicated to the equipment.

- Risk of sending incorrect information to the controller.
- Risk of losing the advantage of using the equipment.

Current transformer secondary earth connection

The current transformer must be connected to earth. Refer to the manufacturer's instructions to ensure proper installation.

Characteristics of customer cables

Characteristics of customer power cables (400-415 V)

Recommended cable type: 1000 V, 105 °C.

The cables must be sized for a current of 1.5 In minimum.

The cables must be sized based on the following:

- the lengths to be used
- the installation method: cable trays or ducts
- the ambient temperature around the conductor.

⚠ WARNING

RISK OF INSULATION LOSS AND SHORT-CIRCUIT

Size the power cables according to IEC 60439-1 and IEC 61921.

Failure to follow these instructions can result in death, serious injury or equipment damage.

Recommended cross-sections for customer power cables

Fq Hz	Detuned reactor tuning order	Power kvar	Cable sizing current (1.5 In) A	Minimum section of connection		Maximal connection capacity ⁽¹⁾	
				mm ²	no. of cables	mm ²	no. of cables
Without detuned reactor							
Enclosures							
50	Not applicable	7.5	16	2.5	1	25 70 ⁽²⁾	1
		15	32	6	1		
		17.5	38	10	1		
		20	43	10	1		
		25	54	16	1		
		30	65	25	1		
		37.5	81	25	1	120 70 ⁽²⁾	2 1 ⁽²⁾
		45	97	35	1		
		50	108	35	1		
		60	130	50	1		
		70	152	70	1		
		75	162	70	1		
		82.5	179	95 70 ⁽²⁾	1	240	2
		90	195	95 70 ⁽²⁾	1		
		100	217	95	1		
		125	271	150	1		
150	325	185	1				
175	379	240	1				
200	433	150	2				
Cubicles							
50	Not applicable	225	487	150	2	240	2
		250	541	185	2		
		275	595	185	2		
		300	650	240	2		
		350	758	240	2		
		400	866	185	3		
		450	974	185	3		
		500	1083	240	3		
		550	1191	240	3		
		600	1299	240	3		

(1) Depending on connection accessories.

(2) Tarif jaune.

Characteristics of customer cables

Characteristics of the protective earthing conductor

⚠ CAUTION
RISK OF INSULATION LOSS AND SHORT-CIRCUIT Size the cross-section of the protective earthing conductor according to IEC 60364-5-54. Failure to follow these instructions can result in death, serious injury or equipment damage.

The cable cross-section must take into account the connection device on the equipment.

Characteristics of the auxiliary cables

Recommended cable type: 1000 V, 105 °C.

The values are given for information only; the cross-section must be adapted to the environment and cable length.

Device	Cross-section mm ²	Cross-section maxi mm ²	Nbr of terminals	Nbr of conductors per terminal (Flexible/rigid wire)
Current transformer	2.5	4	2	1
Auxiliary protection when the auxiliary transformer is not supplied	2.5	2.5	2	1
Generator set	1	2.5	2	1
Controller alarm	1	2.5	2	1
Cos φ2 control	0.6	1	2	1

For all other cross-sections to be used, please contact Schneider Electric departments.

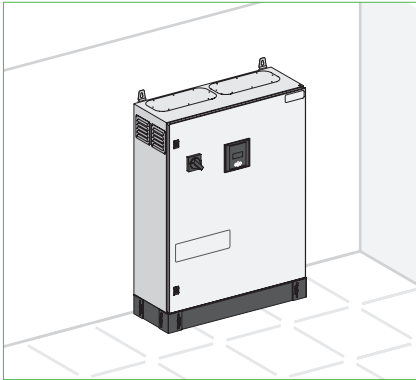
Equipment necessary for connecting the communication module

Not included in the equipment.

- Recommended wire: Belden 3106A shielded cable AWG22 3 wires.

Floor-standing or Wall-mounted installation

DB419771.eps



VLVAW2L cubicle with plinth option.

Floor-standing

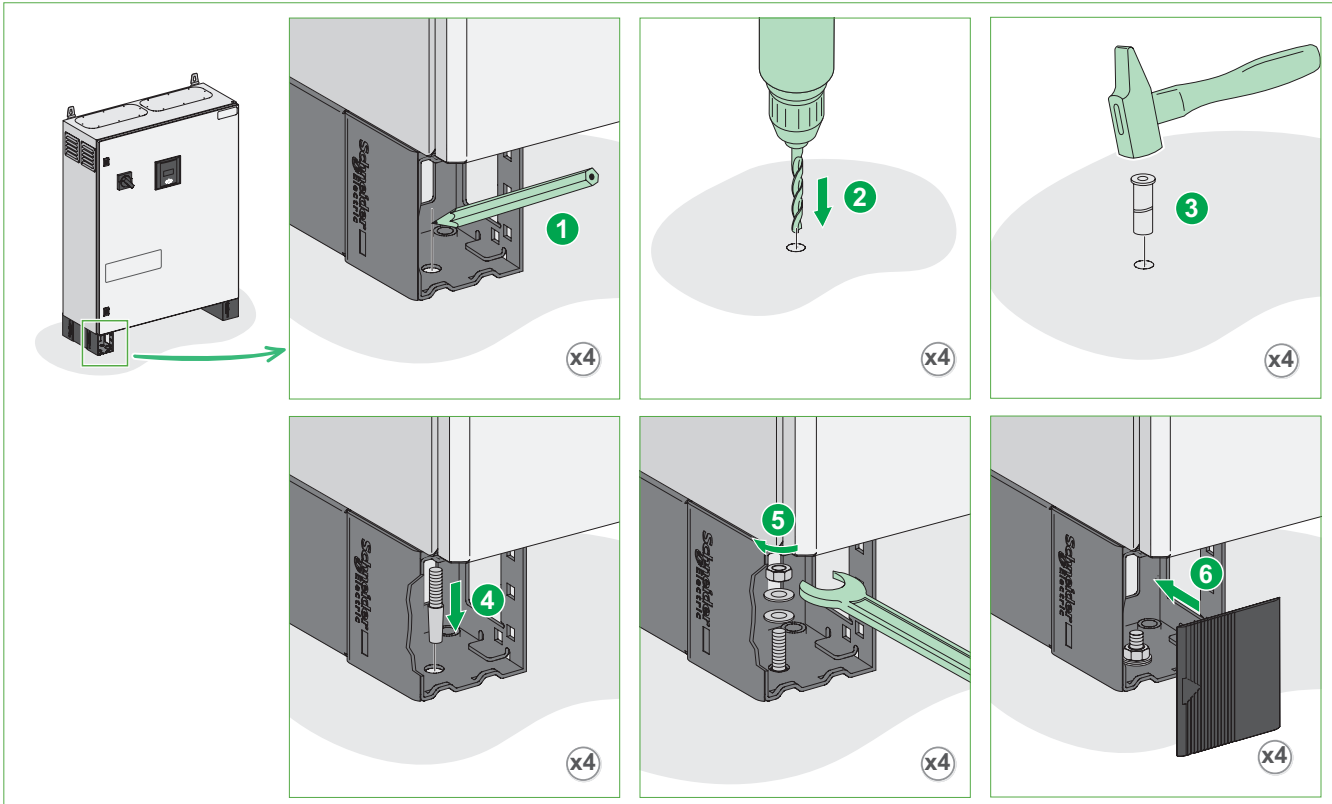
⚠ WARNING

RISK OF TILTING OF THE CUBICLE

- Fix the equipment using the indicated fixing points.
 - Use fasteners adapted to the type of support and the weight of the equipment.
- Failure to follow these instructions can result in death, serious injury or equipment damage.**

- Position the equipment at the chosen location.
- Unclip the covers from the corners of the base.
- Mark the fixing points; see dimensions below.
- Remove the equipment.
- Drill holes into the floor and position the mounting brackets (diameter: 12 mm).
- Position the equipment in its location and tighten the mounting screws.

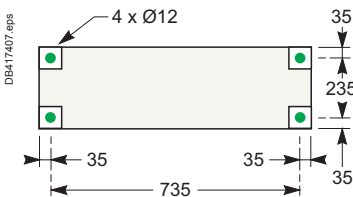
DB419772.eps



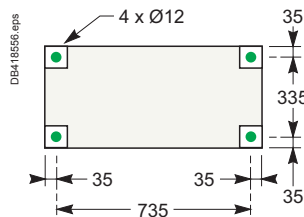
Marking of fixing points on the floor.

Floor-standing dimensions (mm)

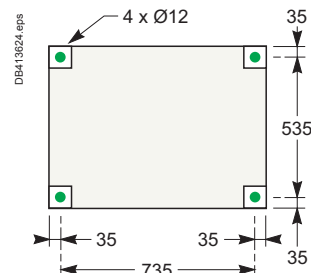
VLVAW2L (with plinth option)

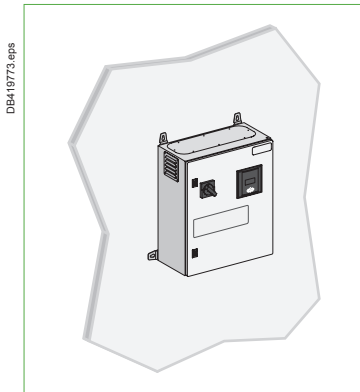


VLVAF3L



VLVAF5L





DB419773.eps

VLVAW0L, VLVAW1L and VLVAW2L enclosures.

Wall-mounted installation

⚠ WARNING

RISK OF FALL OF THE ENCLOSURE

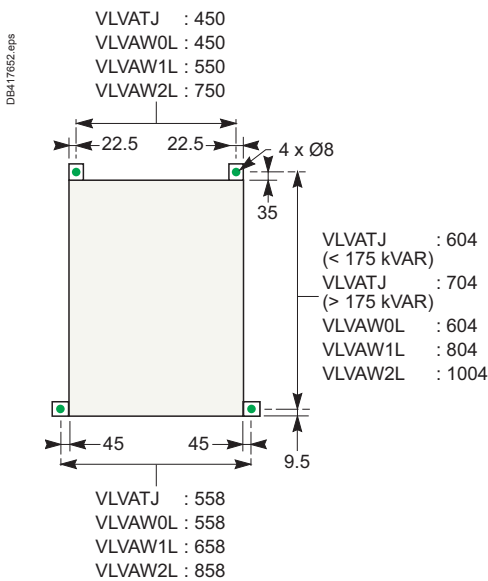
- Fix the equipment using the fixing points indicated below.
 - Use fasteners adapted to the type of support and the weight of the equipment (see "Dimensions and weights of the equipment", page 9).
- Failure to follow these instructions can result in death, serious injury or equipment damage.**

- Position the equipment at the chosen location.
- Mark the fixing points; see dimensions below.
- Remove the equipment.
- Drill holes into the wall and position the mounting brackets (diameter: 12 mm).
- Position the equipment in its location and tighten the mounting screws.

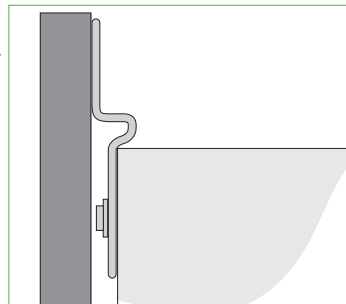
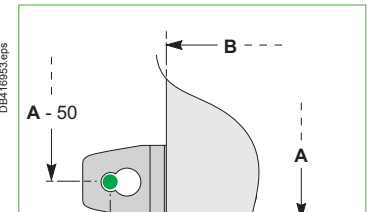
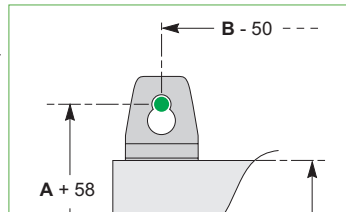


Wall-mounting dimensions (mm)

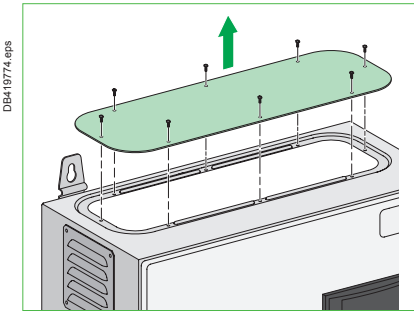
VLVATJ, VLVAW0L, VLVAW1L and VLVAW2L



Detail of the mounting brackets

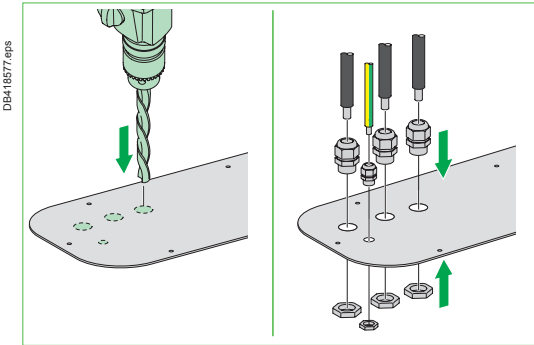


Key:
● Position of the screw.



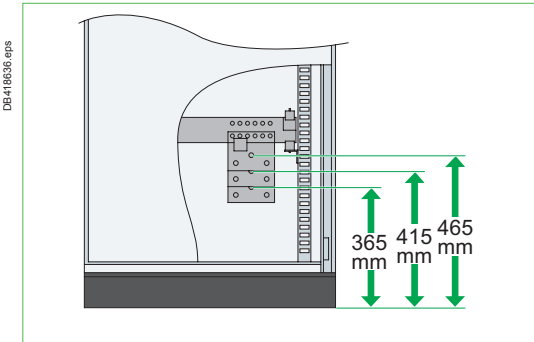
DB419774.eps

Removal of the gland plate (e.g. input from above).



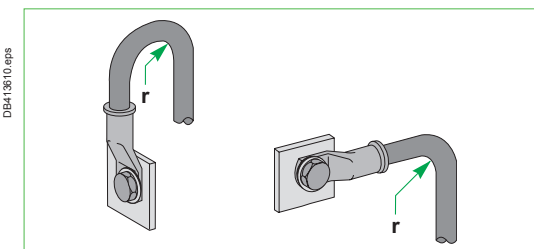
DB418577.eps

Drilling of the gland plate, routing of the cables and installation of cable glands.



DB418636.eps

Connection with copper ranges.



DB413610.eps

Bending radius.

Preparation of the cables for connection

⚡ ⚠ DANGER

HAZARD OF ELECTRIC SHOCK, EXPLOSION OR ARC FLASH

Keep away from the enclosure or the cubicle when drilling, so as to prevent shavings from falling into the equipment.

Failure to follow these instructions will result in death or serious injury.

For VLVAWOL, VLVAW 1L, VLVAW2L and VLVA TJ equipments

- Remove the gland plate.

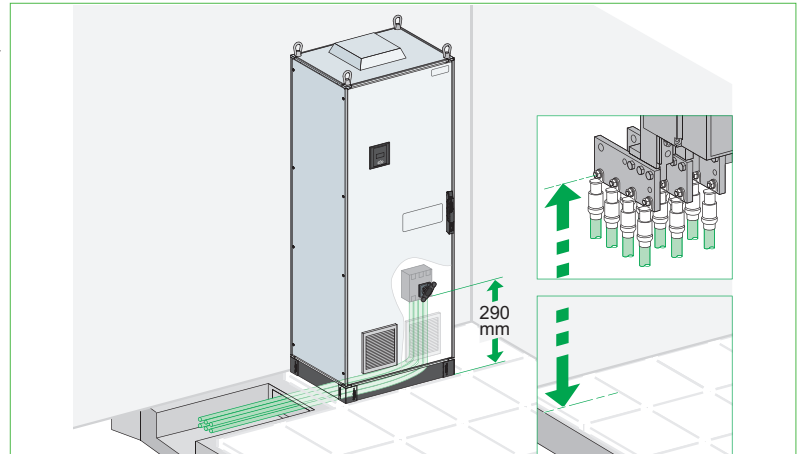
- Drill holes of the correct diameter for cable glands to enable the passage of:

- power cables
- the 2 wires of the current transformer (for models with automatic power factor correction)
- the earthing cable.

- Run the cables through the plate by placing cable glands (not supplied) with a performance equivalent to the protection index of the equipment.

For VLVAF3L and VLVAF5L equipments

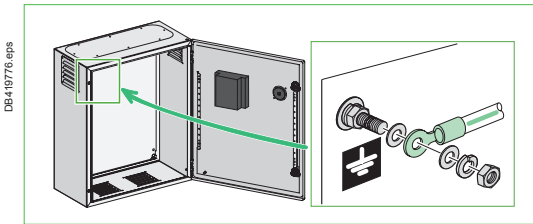
- For VLVAF3L and VLVAF5L equipment (connection from below), the height of the connections must be taken into account to obtain the correct radius of curvature.



DB419775.eps

Installation of the cables

The standards stipulate a bending radius 6 to 8 times the diameter. Refer to the bending radius given by the cable supplier.

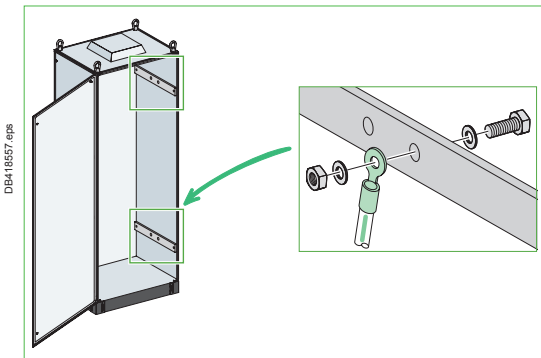


Connection with earthing studs.

Earthing connection

For VLVAW0L, VLVAW1L, VLVAW2L, VLVAW2L, VLVAW2L, VLVAW2L, VLVAW2L and VLVAF3L equipments

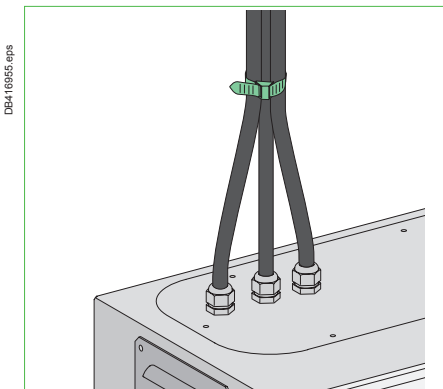
- Make the link using a cable with suitable cross-section; see section "Characteristics of customer cables" on page 14 for information on protection cables.
- The link is made using a nut with contact ring on either side.
- Apply a tightening torque of: 5 ± 0.5 N.m for studs.



Connection with earth bar.

For VLVAF5L equipment

- Unscrew protection cap located on earthing stud.
- Make the link using a cable with suitable cross-section; see section "Characteristics of customer cables" on page 14 for information on protection cables.
- The link is made using a nut with contact ring on either side.
- Apply a tightening torque of: 75 N.m (screw M12 class 8-8) for an earth bar.



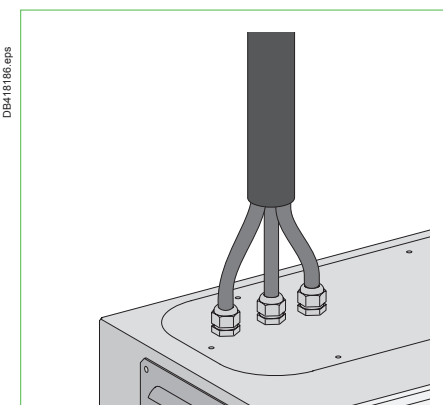
Securing the cables.

Connection of customer power cables

⚠ ⚠ DANGER

HAZARD OF ELECTRIC SHOCK, EXPLOSION OR ARC FLASH

- See tables of power cable cross-sections page 14.
 - Refer to the protection circuit breaker's manual provided with your equipment for the type of connection to be made (lug, end covers).
 - Connect the cables with appropriate hardware (washers, nuts and bolts)
 - Observe the tightening torques.
- Failure to follow these instructions will result in death or serious injury.**



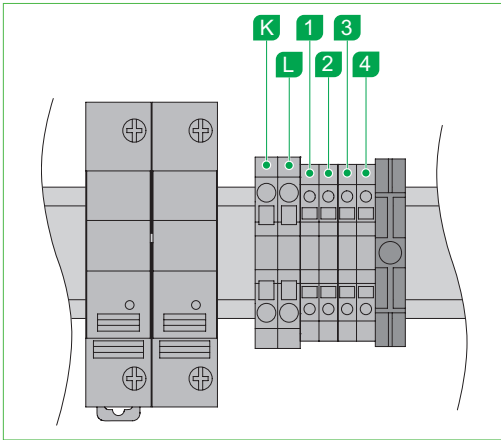
Securing the multi-strand cables.

- Bolt the lugs on the terminals pads.
- The order of the phases L1, L2, L3 must match the order of the phases on the terminal block or the protective device of the equipment.
- Tighten the hardware to the defined torque based on the connection type (see the manual for the incoming circuit breaker or the accessory).
- Mark the connection using a suitable paint or marker.
- Secure the cables on the holders.

Type of protection circuit breakers

Equipements	Input protection
VLVAW0L	Acti9 iC60 CVS100F
VLVAW1L	CVS160F CVS250F
VLVAW2L	CVS400F CVS630F
VLVAF3L	CVS630F
VLVAF5L	NS800N NS1000N NS1250N

DB417394.eps



Description of the terminals.

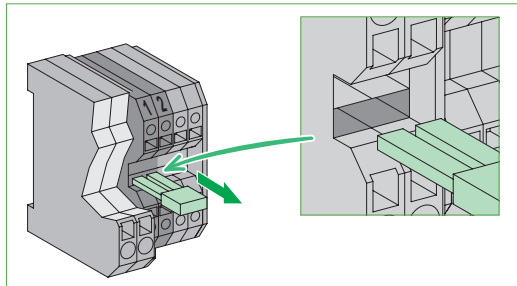
Auxiliary connections

- For VLVAW0L, VLVAW1L, VLVAW2L, VLVAW2L, VLVAW2L, VLVAW2L, VLVAW2L and VLVAW2L equipment, the auxiliary connection (K, L, 1, 2, 3, 4) is located at the top left, inside the unit.
- For VLVAF5L units, the auxiliary connection (K, L, 1, 2, 3, 4) is located at the bottom left, inside the cabinet.

Equipment	Controller current measurement	Generator set	Controller alarm
Caractéristiques			
	Current input 5 A Power 5 V AC	Secondary current input 415 V, ≤ 50 mA	Secondary current output, NF contact, Presence of alarm = closed contact 2 A / 250 V AC
VLVAW0L / VLVAW1L / VLVAW2L / VLVAF3L / VLVAF5L	K L	1 2	3 4

See the section "Characteristics for auxiliary cables" on page 15 for information on auxiliary cables.

DB417386.eps



Removal of the jumper from the generator set connection terminal block.

Connection with the generator set

NOTICE

RISK OF DEGRADATION OF SYSTEM PERFORMANCE

It is essential to disconnect the capacitor bank when the generator set is running.

Failure to follow these instructions will prevent the generator set from starting up and cause the loss of power supply.

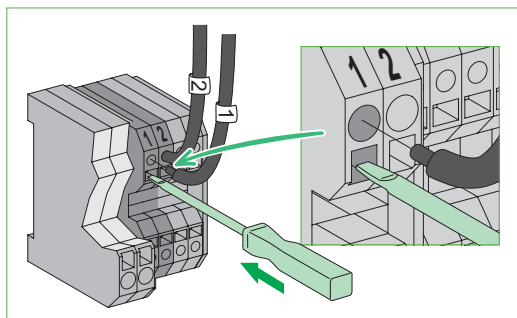
When the generator set is started, it obtains a stop signal from the capacitor bank via the opening of a contact. This contact must be connected to terminals Xa1 and Xa2.

Remove the jumper.

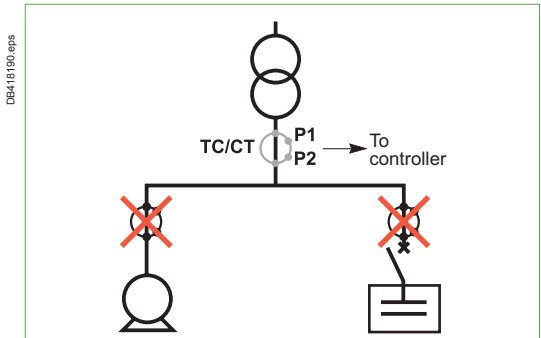
Connect the 2 wires coming from the generator set to the terminals 1 and 2.

When the generator set starts up, power to the terminal block is cut off, the capacitor bank stops working.

DB417387.eps



Connection of the generator set.

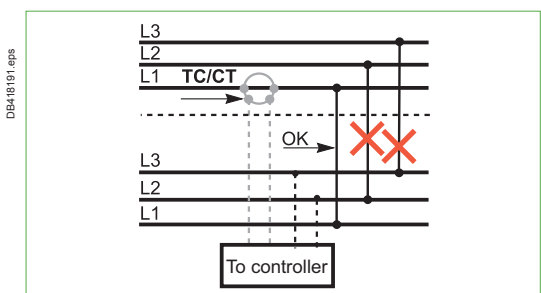


Location of the CT on the power circuit.

For automatic power factor correction only.

Installation of the current transformer (CT) on the network

- You must install the CT upstream of the equipment and the loads (motors, etc.); see diagram on the left.



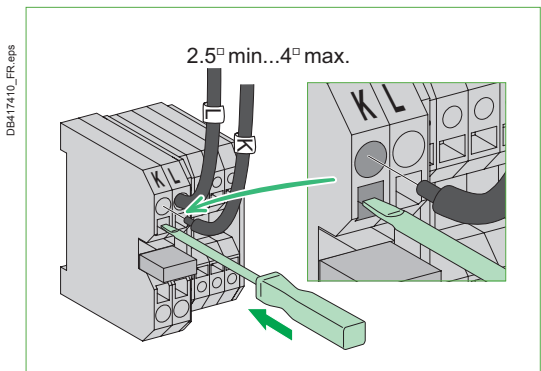
Connection of the CT.

Connection of the current transformer

- Connect the terminal P1 to the terminal K of the terminal block and P2 to the terminal L of the terminal block. For more information, refer to the CT manual (not supplied by Schneider Electric, out ref. VLVATJ).
 - Remove the jumper after connecting the CT to the terminal block. See next page.
- If any work needs to be done on the CT's secondary circuit, retain the Schneider Electric jumper, ref. AB1RRAL42.

The current transformer must be placed on phase 1 of the power circuit.

The current transformer secondary circuit must be connected to earth.



Connection of a CT.

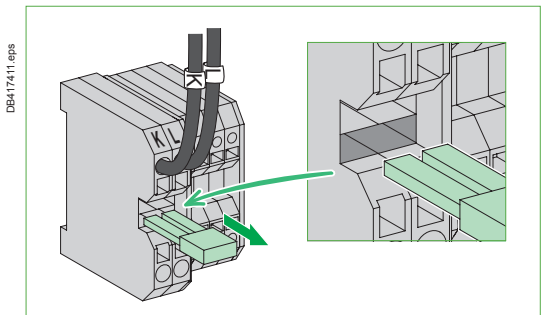
Connection of the current transformer (CT) to the controller

The aim is to connect the controller to the customer network's current measurement.

⚠ ⚠ DANGER

HAZARD OF ELECTRIC SHOCK, EXPLOSION OR ARC FLASH

- Never open the secondary circuit of a current transformer when the primary circuit is powered.
 - Before any work on the secondary circuit, the secondary terminals of the current transformer must be short circuited using appropriate jumper Schneider Electric ref. AB1RRAL42.
- Failure to follow these instructions will result in death or serious injury.**

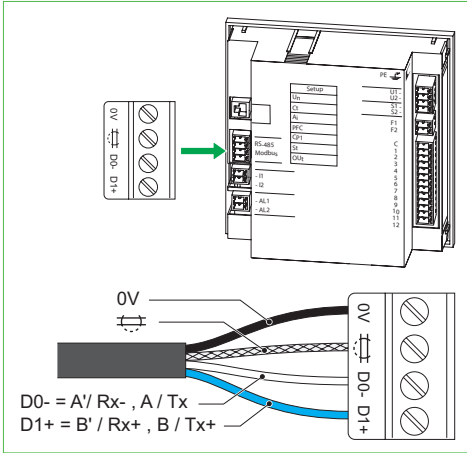


Removal of the jumper from the CT's connection terminal block.

Do not branch the CT

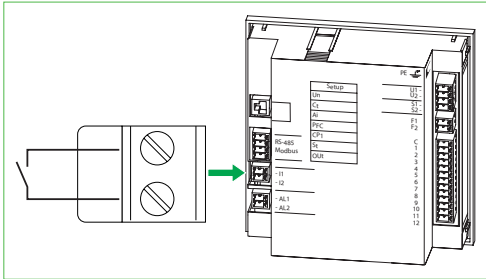
- The current transformer must be dedicated to the equipment.
- Risk of sending incorrect information to the controller.
- Risk of losing the advantage of using the equipment.

DB419385.eps



Connection of the module.

DB419386.eps



Communication connecting

Equipment needed (not included in the equipment)

- Recommended wire: Belden 3106A shielded AWG22 3 wires.

Connection to regulator

- Pin assignments:
 - 0 V signal and power supply common
 - modbus shield pin
 - (no internal connection to 0 V or PFC controller ground terminal)
 - D0- transceiver terminal 0
 - D1+ transceiver terminal 1.
- Insulation voltage: 1.3 kV
- Wire section: 0.2 to 1 mm² (30-19 AWG)
- Recommended cable Belden 3106A (shielded, AWG22 3 wires)
- Torque: 0.5 to 5 Nm.

Refer to the communication module documentation Modbus VL6/12 7EN02-0376.

Function cos φ 2 connection

- Characteristics:
 - Self powered input (5V-10mA) for NO or NC dry contact.
 - Dry contact status can be change in the PFC Controller setup menu. Default value is NO
 - contact open: cos φ 1 target
 - contact closed: cos φ 2 target.
- Cross section 0.2 to 1 mm², length max 100 m. For a length > 50 m, use a cross section at least 0.6 mm².

Installation of communication or cos φ 2 cable into the capacitor bank

From the cable gland plate join the controller following the wiring harness. See § Preparation of the cables for connection page 18.

The cable must provide the insulation or creepage distances into the equipment.

Depending to the equipment supplied, use adhesive mount to hold the cable since the gland plate to wiring harness.

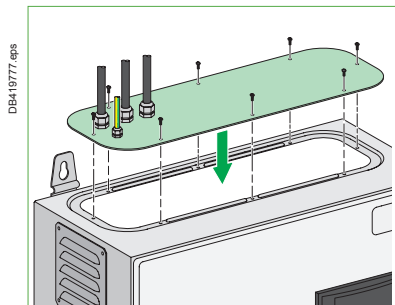
Hold the cable on the wiring harness with additional cable ties.

Place cable ties at regular interval, the cable must not be free in the capacitor bank.

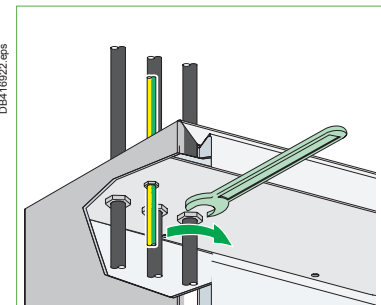
The cable must not prevent the opening or closing door, neither be caught during closing door.

Final operations after making the connections

- Replace the gland plate for connections from above or below.
- Tighten the cable glands.



Closing of the gland plate (e.g. input from above).



Tightening of the cable glands.

Preliminary checks

DANGER

HAZARD OF ELECTRIC SHOCK, EXPLOSION OR ARC FLASH

- All work must be carried out by qualified and authorised electrical personnel.
 - The equipment power supply must be switched off before cleaning.
- Failure to follow these instructions will result in death or serious injury.**

Cleaning

Prior to commissioning, dust or debris that might have entered the equipment must be removed in order guarantee the creepage and clearance distances. In particular, check the filters, ventilation grates, busbars and their supports and the electrical connections. The space around the equipment must also be cleared of accumulations of dust or fine particles.

- Use a vacuum cleaner for this cleaning.
- Never clean using compressed air to avoid the displacement of dirt to other surfaces.
- Use dry cloths.

Checks

- Check that there are no foreign bodies in the equipment (tools, etc.).
- Check the integrity of the protection of power cables upstream of and inside the installation.
- Check the integrity of the protective earth conductor and its connection.
- Check the tightening torques.
- Check the installation of the current transformer: positioning on phase 1, mechanical fastening and electrical connections.
- Check the configuration of the communication network: polarization resistor, terminating resistor.
- Check that the network voltage matches the equipment voltage rating.

Power-up

DANGER

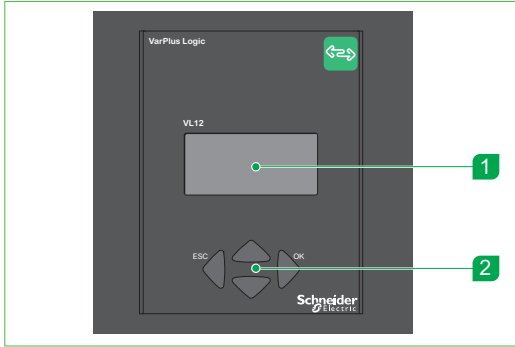
HAZARD OF ELECTRIC SHOCK, EXPLOSION OR ARC FLASH

- All work must be carried out by qualified and authorised electrical personnel.
 - Wait for 50 s after switching off power supply before carrying out any work on the equipment (time needed for the capacitors to discharge).
 - The controller is not a safety device; it cannot be used to check the absence of voltage.
 - The equipment must be switched off prior to any installation or maintenance operation.
- Failure to follow these instructions will result in death or serious injury.**

Checks during operation

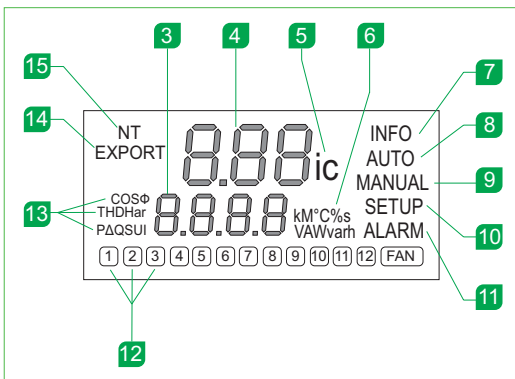
- Prior to any operation, you must verify that there is no voltage. The controller cannot be used to verify the absence of voltage.
- Check the unwanted commands triggered by the controller.
- If operating on full load, check that the switched stepping functions correctly.
- After a few hours of operation, measure the temperature change in the premises.

DB419376.eps



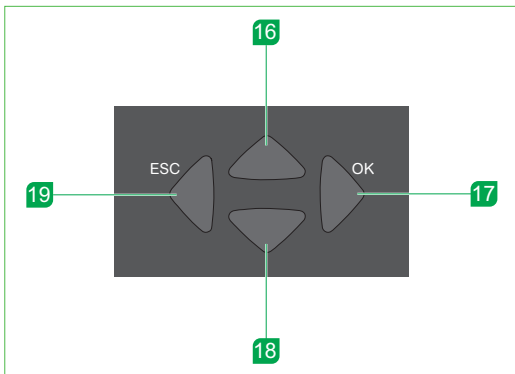
External view of the NRC12 controller

DB419377.eps



Display

DB419378.eps



Navigation keys

⚠️ ⚠️ DANGER

HAZARD OF ELECTRIC SHOCK, EXPLOSION OR ARC FLASH

Never reduce the steps' connection time under 50s.

Failure to follow these instructions will result in death or serious injury.

NOTICE

RISK OF DEGRADATION OF EQUIPMENT PERFORMANCE

The controller is configured in the factory for normal or optimal operation. The user is liable for any modification of these parameters.

Failure to follow these instructions will lead to the total or partial loss of the equipment and non-availability of the installation.

Although the regulator installed in your VarSet capacitor bank had been pre-configured with your equipment it remains following settings to define:

- target cos φ setting
- current transformer ratio value (allows to display the measured value correctly).

Note: For more detailed information on the controller, please refer to the device manual supplied with the equipment.

Important

- If supplied by a summing CT (installation with several CTs), the sum of the ratios of the different CTs must be taken into consideration.
- For an installation equipped with a generator set, the capacitor bank must be taken out of circuit, by breaking the supply to the controller, before switching to the generator set.

- | | |
|---|--|
| <ul style="list-style-type: none"> 1 Display 2 Navigation keys 3 Digital display for measurement 4 Displacement Power Factor (DPF) 5 Inductive or capacitive DPF (lagging or leading) 6 Units of measurement 7 Step information 8 Indicates automatic mode 9 Indicates manual operation of steps mode 10 Indicates set up menu mode | <ul style="list-style-type: none"> 11 Flashing indicates alarm is activated 12 Step number illuminated when activated 13 Displayed measurement 14 Indicates exporting power to grid 15 Indicates secondary DPF target is activated 16 <ul style="list-style-type: none"> ■ Increase Values ■ Select Menu Items 17 <ul style="list-style-type: none"> ■ Open Menu ■ Move Cursor Right ■ Settings 18 <ul style="list-style-type: none"> ■ Decrease Values ■ Select Menu Items 19 <ul style="list-style-type: none"> ■ Exit Menu ■ Move Cursor Left |
|---|--|

For controller operation, refer to the instructions supplied with the product.

Simple Commissioning of VarPlus Logic controller

Before configuring the controller, please ensure that the jumper on KL terminals is removed.

Go to SETUP 100:

1. Setup CT ratio (Ct), cos φ (CP1).
2. If the controller display is showing PFC OFF, set the PFC parameter to ON, before launching Ai.
3. Launch automatic initialization (Ai) by pressing “Ai” from “OFF” to “ON.”

The Ai automatically detects the capacitor steps connected and checks if the phase connection (angle between voltage and CT position) is correct. The Ai sequence switches the steps on and off several times. It will take several minutes to complete this process, and later the relay will stabilize.

During this sequence the controller will display “Ai.”

Minimum requirements to launch an Ai	For a successful Ai step detection
<ul style="list-style-type: none"> ■ Voltage must be within tolerance ■ CT must be connected ■ Capacitor protection must be close ■ Input current not too low. 	<ul style="list-style-type: none"> ■ CT ratio dimensioning must be in accordance with the transformer dimension ■ Size of the smallest step not too small ■ Level of loading when Ai is launched ■ Load variation during the Ai sequence.

At end of “Ai,” the controller will move to “Auto” mode.

Successful Ai sequence info	Unsuccessful Ai sequence [“Abrt” (abort) error]
<ul style="list-style-type: none"> ■ If phase wiring is swapped (incorrectly wired), the controller automatically corrects the phase angle internally and moves to normal mode. “Auto” is displayed. ■ Final check of step detection: <ul style="list-style-type: none"> □ Go to SETUP 100 -> OUT -> open (right arrow) and check if the status of all steps are correct according to the PFC bank configuration (FIX OFF = Step not detected. AUTO = Step detected) □ If necessary, change the OUT status to expected value. 	<ul style="list-style-type: none"> ■ If unsuccessful, run the Ai again. If the Ai aborts again, the phase connection (angle between voltage and CT position) cannot be detected. The control will move to PFC off mode and phase connection must be set manually. See user manual.

Messages displayed by the regulator and solutions

The diagnosis of a problem, during equipment commissioning, generally can be done from the display of the regulator

- ALARM flashes when there is a alarm.
- Alarm menu lists the 5 last alarms logged.

Alarm	Cause	Solution
AI/Abt ALARM	Abort of auto-initialization	Variations in the load or too small measured current signals may abort Auto initialisation.
U ALARM	Measured voltage is outside the voltage tolerance.	Check settings for nominal voltage and voltage transformer.
I LO ALARM	Measured current is too low (CT current < 15 mA).	Connection error of CT; short-link of CT is not removed; CT ratio is too high compared to real current; no current.
I Hi ALARM	Measured current is too high.	Load is too high or Improper CT selection.
PFC ALARM	The controller cannot achieve the target $\cos \varphi$. Over or under compensation.	Check if all steps are correctly defined and working. Check if sizing of the PFC bank is enough compare to KVAR required by the load.
HAr ALARM	THDU limit is exceeded. Controller disconnects the steps to correct THDU.	Check installation, THD U too high or possible resonance.
Step/Flty ALARM (faulty step is blinking)	One or more steps are defective (detected as faulty after connecting the step 3 times without any measurements).	Check steps connection, molded-case circuit breakers (MCCBs) or fuses position and capacitor status.
SPL/Nr ALARM	Step detected with remaining power less > 75 % of initial value.	Check settings and check capacitance of the capacitor.
Thi ALARM	The alarm temperature limit is exceeded.	Check fans and ambient temperature.
OPH ALARM	Set limit for max. allowable operation hours limit is exceeded.	Check the MCCBs/Fuses, contactors and capacitors in the step. Check the capacitance value and replace capacitors if the capacitance has fallen below tolerance limit.
OPC/Nr ALARM	Set limit for max. allowable operation cycles limit is exceeded.	Check the MCCBs/Fuses, contactors and capacitors in the PFC Bank. Check the capacitance value and replace capacitors if the capacitance has fallen below tolerance limit.
OL ALARM	Limit of Capacitor overload current ratio (based on THDU calculation) is exceeded.	Check installation, THD U too high, or possible resonance.
HU ALARM	One or more steps are detected in hunting mode. Step number and error code will flash.	
Anomaly	Cause	Solution
No indication AUTO	Relays do not switch.	In SETUP/100 menu, the selection for PFC is set to OFF or HOLD; CT ratio is not set; temperature is too high; current is < 15 mA; voltage, THD U, or overload current ratio is out of tolerance.
EXPORT	kW export.	If there is no real kW export, check the voltage and current connections to the controller.
Wrong Cos φ indication	Wiring does not correspond to controller settings.	Check voltage and current connections to the controller.
Frequent switching of steps	Size of capacitors is not completely detected / capacitors are inoperable.	Check size of capacitor in INFO menu.
All steps are set to "Fix off"	CT not correctly located or connected, short link not removed.	Check CT connection and position.

⚠ ⚠ DANGER**HAZARD OF ELECTRIC SHOCK, EXPLOSION OR ARC FLASH**

- All work must be carried out by qualified and authorised electrical personnel.
- Wait for 50 s after switching off power supply before carrying out any work on the equipment (time needed for the capacitors to discharge).
- The controller is not a safety device; it cannot be used to check the absence of voltage.
- The equipment must be switched off prior to any installation or maintenance operation.

Failure to follow these instructions will result in death or serious injury.

To help maintain your equipment in good condition, Schneider Electric recommends that the maintenance operations below are carried out.

Before doing any maintenance operation:

- Check that the loads (non-linear loads, harmonics generators...) have not changed since you installed your equipment.
- Measure temperature, voltage fluctuation and harmonics on your electrical network with loads under functions for a significant period of time.

These verifications are necessary to identify the evolution of your electrical network and your equipment environment to ensure that it is still adapted to your requirements.

In case of any change in your initial operating conditions contact Schneider Electric to check that your equipment is still operating in adequate working conditions.

Maintenance plan

	Period Every	Power		Maintenance level
		Up	Down	
Network information & operation condition verification				
Network loads changes and checking the temperature	1 year	■		2
Voltage and Harmonic level	1 year	■		3
Operation verification & measures				
Power factor controller settings and alarm history	1 year	■		1
Capacitance measure	1 year	■		3
Electrical connection check				
Power cables tightening check	Initial after 1 month and then 1 year		■	2
<i>Note: visual check only of red varnished connection</i>				
Visual Inspections				
Enclosure integrity	1 year		■	1
Cleanliness	1 year		■	1
Earthing connection integrity	1 year		■	1
Components replacement (in normal operating condition)				
Capacitors + contactors @ 35°C (annual average temperature)	7 years		■	3
Capacitors + contactors @ 25°C (annual average temperature)	10 years		■	3
Fans	2 years		■	1

Troubleshooting

End of life and recycling

Troubleshooting

If problems occur during installation or operation, refer to information below.

If trouble persists, contact your Schneider Electric field service representative.

Troubleshooting

What	Potential cause	Actions
No display on power factor controller	See User Guide (§ controller set-up & controller management) & Controller user manual enclosed in your equipment	See User Guide (§ controller set-up & controller management) & Controller user manual enclosed in your equipment
Alarms on power factor controller	See User Guide (§ controller set-up & controller management) & Controller user manual enclosed in your equipment	See User Guide (§ controller set-up & controller management) & Controller user manual enclosed in your equipment
Rotary handle in tripped position	Main incoming CB tripped	DO NOT switch on the equipment: conduct root cause analysis
Upstream protection of the equipment is in tripped position	Protection setting or rating not appropriated Cables damage Equipment not operating properly	DO NOT reset CB and DO NOT switch on the equipment: conduct root cause analysis
Enclosure seems abnormally warm	Fan not operating Free space around equipment not respected	In any case or doubt switch off your equipment and perform root cause analysis Check temperature alarm contact is connected to appropriate monitoring device For automatic compensation: check temperature alarms on power factor controller
	Ambient temperature not compliant with the manufacturer recommendations	
Noise	Contactors operation	Check power factor controller alarm
	Detuned reactor out of tune	Check capacitance value
Compensation has not attended effects on electricity bill	Networks characteristics and loads have changed Equipment is undersized Equipment is not operating properly Your utility reactive power billing policy/ regulation has changed	Conduct root cause analysis

End of life and recycling

Refer to the document ref. ENVEOLI 130603EN available on the Schneider Electric website, or contact your Schneider Electric representative to obtain a copy.

⚠ WARNING

RISK OF THE EQUIPMENT TIPPING OVER OR FALLING WHEN HANDLED

- Use suitable handling equipment for the dimensions and weight of the equipment.
- Position the handling equipment correctly.
- Take great care when moving the equipment.
- Avoid impacts and deformation.

Failure to follow these instructions can result in death, serious injury, or equipment damage.

Consignes de sécurité	30
-----------------------	----

Généralités

Introduction	32
Caractéristiques techniques	33
Dimensions et masses des équipements	35
Caractéristiques des locaux d'installation	36
Caractéristiques de l'installation en amont de l'équipement	39
Caractéristiques des câbles client	40

Installation

Installation au sol et au mur	42
Raccordements électriques	44
Mise sous tension	49
Configuration du régulateur	50

Exploitation

Gestion du régulateur	52
-----------------------	----

Maintenance

Plan de maintenance	53
Résolution de problème - Fin de vie et recyclage	54

Informations importantes

Lisez attentivement ces directives et examinez l'appareillage pour vous familiariser avec son fonctionnement avant de faire son installation ou son entretien. Les messages spéciaux suivants peuvent apparaître dans les présentes directives ou sur l'appareil pour avertir l'utilisateur de dangers potentiels ou pour attirer l'attention sur des informations qui clarifient ou simplifient une procédure.



L'ajout d'un de ces deux symboles à une étiquette de sécurité de "Danger" ou d'"Avertissement" indique qu'un danger électrique existe et qu'il peut entraîner des blessures corporelles si les directives ne sont pas respectées.



Ceci est le symbole d'alerte de sécurité. Il est utilisé pour vous alerter de dangers de blessures corporelles potentielles. Veuillez vous conformer à tous les messages de sécurité qui suivent ce symbole pour éviter une blessure ou la mort.

DANGER

DANGER indique une situation de danger imminent qui, si elle n'est pas évitée, **provoquera** la mort ou des blessures graves.

AVERTISSEMENT

AVERTISSEMENT indique une situation de danger potentiel qui, si elle n'est pas évitée, **peut provoquer** la mort, des blessures graves.

ATTENTION

ATTENTION indique une situation de danger potentiel qui, si elle n'est pas évitée, **peut provoquer** des blessures mineures, modérées ou des dommages matériels.

AVIS

AVIS est utilisé pour aborder des pratiques ne concernant pas les blessures. Le symbole d'alerte de sécurité n'est pas utilisé avec ce mot de signal.

REMARQUE : Fournit des renseignements complémentaires pour clarifier ou simplifier une procédure.

Veillez noter

Seul un personnel qualifié doit effectuer l'installation, l'exploitation, l'entretien et la maintenance du matériel électrique. Schneider Electric n'assume aucune responsabilité des conséquences éventuelles découlant de l'utilisation de cette documentation.

Une personne qualifiée est une personne qui a les compétences et le savoir-faire relatifs à la construction, l'installation et l'exploitation d'équipements électriques et qui a reçu une formation à la sécurité lui permettant de reconnaître et d'éviter les risques encourus.

Avant de commencer

- Ce manuel ne peut pas être utilisé pour définir ou déterminer l'adéquation ou la fiabilité de ces produits pour des applications utilisateur spécifiques. Il incombe à chaque utilisateur ou intégrateur de réaliser l'analyse de risques complète et appropriée, l'évaluation et le test des produits pour ce qui est de l'application à utiliser et de l'exécution de cette application.
- Lorsque des équipements sont utilisés pour des applications présentant des exigences techniques de sécurité, suivez les instructions appropriées.

DANGER

RISQUE DE CHOC ELECTRIQUE, D'EXPLOSION OU D'ARC ELECTRIQUE

- Porter un équipement de protection individuel (EPI) et suivre les règles de sécurité liées aux travaux d'électriques. Voir NFPA 70E, CSA Z462 ou normes locales équivalentes.
 - Cet équipement doit être installé et entretenu par du personnel qualifié.
 - Couper toutes les alimentations de cet équipement avant de travailler sur ou à l'intérieur de l'équipement.
 - Utiliser toujours un dispositif au bon calibre et approprié à la détection de tension pour confirmer la coupure de l'alimentation.
 - Avant de toucher toute partie active, attendre au moins 5 minutes pour que l'équipement s'autodécharge puis mettre en court-circuit les bornes de chaque condensateur et les mettre à la terre.
 - Remplacer tous les dispositifs, les portes et les couvercles avant de remettre cet équipement sous tension.
- Le non-respect de ces instructions entraînera la mort ou des blessures graves.**

- Les équipements sont assemblés en usine et ne nécessitent pas d'intervention lors de l'installation hormis celles indiquées ci-dessous.

ATTENTION

RISQUE DE DÉGRADATION DE PERFORMANCES DE L'EQUIPEMENT

- Ne pas modifier les parties mécaniques ou électriques.
- Le non-respect de cette instruction peut provoquer des blessures mineures, modérées ou des dommages matériels.**

ATTENTION

RISQUE DE BRÛLURES

- En fonctionnement et pendant plusieurs minutes après arrêt, des pièces de cet équipement peuvent atteindre des températures élevées. Avant toute intervention, s'assurer que les parties métalliques ont atteint une température acceptable au touché.
- Le non-respect de cette instruction peut provoquer des blessures mineures, modérées ou des dommages matériels.**

Vous venez de recevoir votre équipement de solution d'efficacité énergétique basse tension conçu et fabriqué par Schneider Electric. Afin de vous accompagner au mieux lors de sa mise en œuvre, nous avons réalisé ce manuel. Il présente toutes les informations nécessaires pour installer et utiliser votre équipement. Nous vous conseillons de le lire attentivement et de suivre ses recommandations.

- Aucune partie de ce document ne peut être reproduite sous quelque forme ou par quelque moyen que ce soit, électronique, mécanique ou photocopie, sans l'autorisation écrite expresse de Schneider Electric.
- Toutes les réglementations locales, régionales et nationales pertinentes doivent être respectées lors de l'installation et de l'utilisation de ce produit.
- Pour des raisons de sécurité et afin de garantir la conformité aux données système documentées, en dehors des actions préconisées dans le plan de maintenance présenté page 53, seul le fabricant est habilité à effectuer des réparations sur les composants.
- Si vous avez des suggestions d'amélioration de cette publication, n'hésitez pas à nous en informer en utilisant les coordonnées indiquées à la fin de ce guide.





Norme :
CEI 61439-2



Norme :
CEI 61921

Caractéristiques générales

- Tension, fréquence, puissance, selon les indications de la plaque signalétique.
- Tension d'isolement : 500 V jusque 30 kvar, 690 V à partir de 37 kvar.
- Tenue 50 Hz 1 min : 2,5 kV.
- Courant assigné de courte durée admissible : 15/35 kA (selon modèle).
- Communication : Modbus RS485 2 fils.
- Alimentation auxiliaire : 220/230/400 V 50 Hz (selon modèle).
- Indice de protection : IP31.
- Fonction présence groupe électrogène (bornes Xa1 - Xa2).
- Couleur : RAL 7035.
- Conforme aux normes CEI 61439-2 et CEI 61921.
- IK10.
- Contact alarme pour remontée de défaut batterie (bornes XA3 - XA4).

Caractéristiques des condensateurs

- Tolérance sur les capacités : -5 à +10 %.
- Surcharges admissibles en tension (8 h sur 24 h suivant CEI 831-1/2) : 10 %.

Limites de fonctionnement

- Usage intérieur exclusivement.
- Tension et fréquence d'alimentation : 400/415 V - 50 Hz.

Plaque signalétique

VarSet Easy

Power Factor Correction Capacitor Bank
Batterie de Compensation
Bateria de Condensadores

Ref:AAA123456789012

Qn (kvar) :
Un (V) / Fn (Hz) :
Uimp (kV) :
Ui (V) :
Min/Max amb. Temp. (°C) :
IP :
Icc(kA) :

IEC 61921 & IEC 61439-1

S/N :

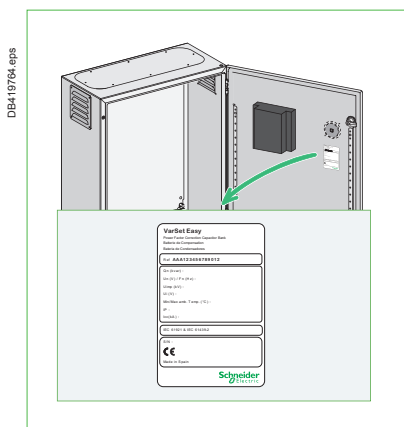


Made in France

Schneider
Electric



Norme :
CEI 60831-1/2

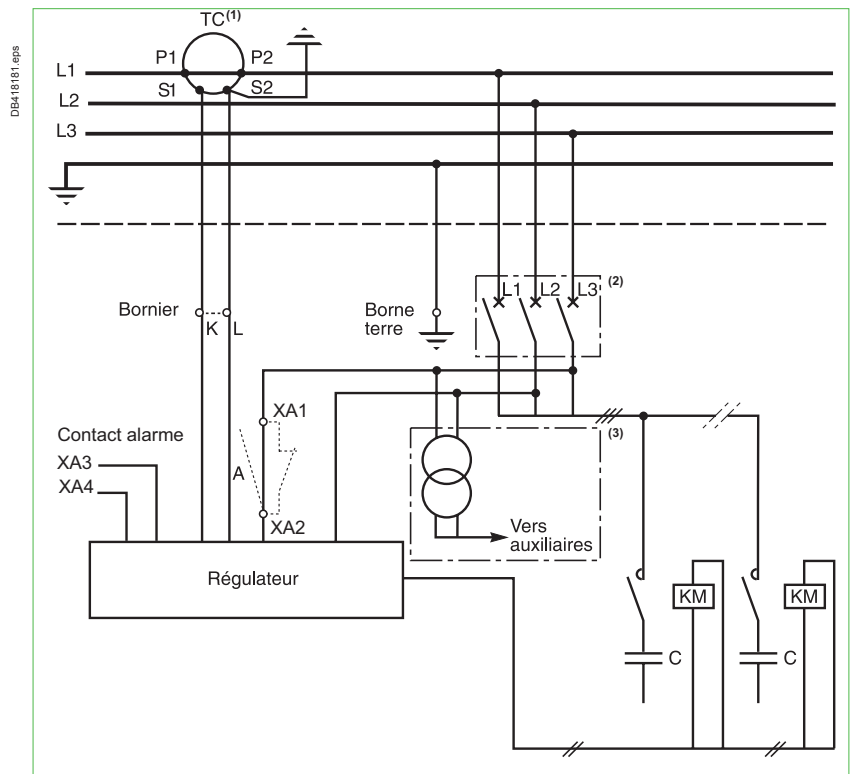


Localisation de la plaque signalétique.

Constitution des équipements

Type	Disjoncteur	Schémas électriques
VLVATJ, VLVAW0L, VLVAW1L, VLVAW2L, VLVAF3L, VLVAF5L	Avec / sans	

Schémas électriques



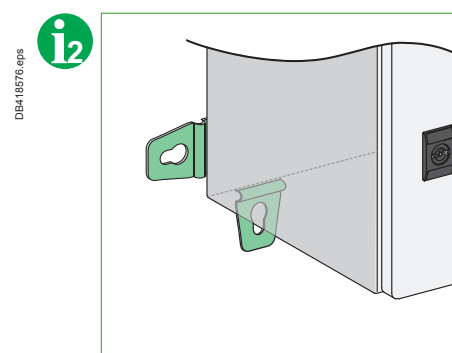
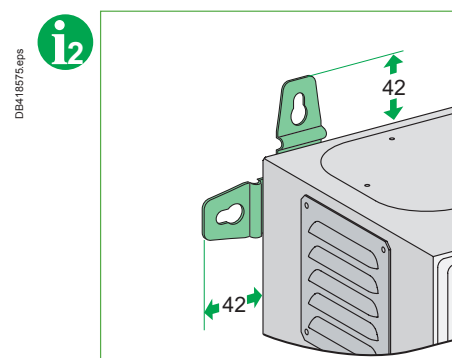
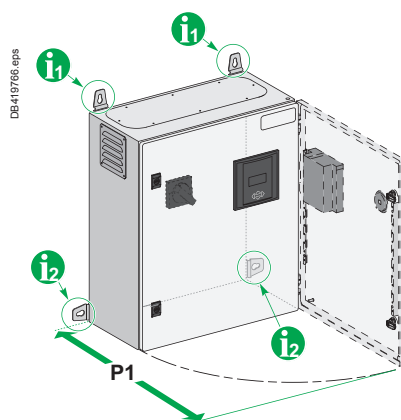
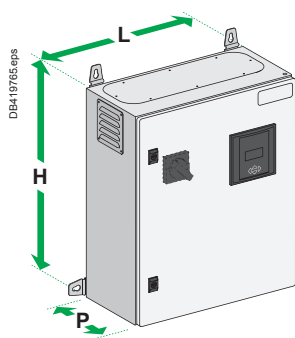
(1) Non fourni dans les équipements hors références VLVATJ (consulter Schneider Electric pour la fourniture d'un TC).

(2) Pour variante avec disjoncteur d'entrée.

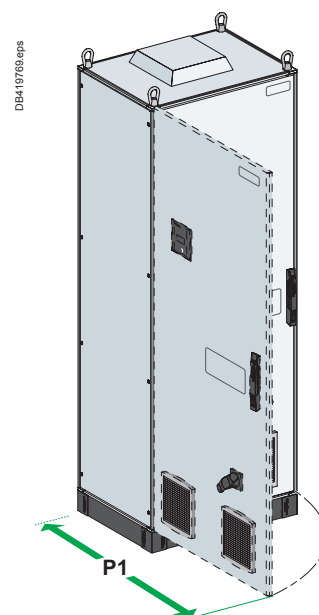
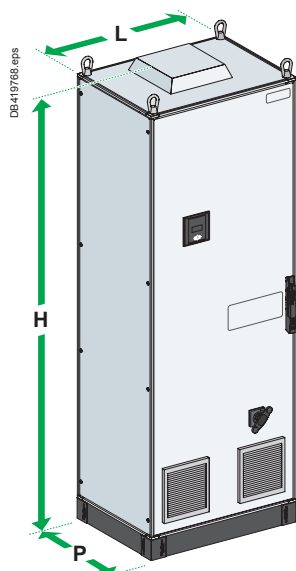
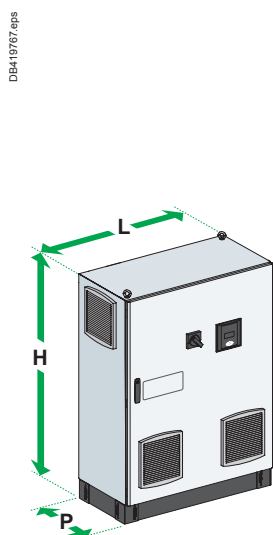
(3) Pour variante avec transformateur.

Dimensions et masses des équipements

Coffrets VLVATJ, VLVAW0L, VLVAW1L et VLVAW2L



Armoires VLVAF3L et VLVAF5L



Dimensions (mm) et masse maximum (kg)

Type	Coffret					Armoire	
	VLVATJ (10 à 50 kVAR)	VLVATJ (60 à 90 kVAR)	VLVAW0L	VLVAW1L	VLVAW2L	VLVAF3L	VLVAF5L
H	600	700	600	800	1000/1200 ⁽¹⁾	1100	2200
L	500	500	500	600	800	800	800
P	250	250	250	250	300	400	600
P1	735	735	735	830	1080	1175	1361
Masse	36	45	36	58	95/100 ⁽¹⁾	140	340

⁽¹⁾ Avec socle.

Caractéristiques des locaux d'installation

Caractéristiques générales

- Températures :
 - température maximum : 45 °C
 - température moyenne sur 24 h : 35 °C
 - température minimum : -5 °C.
- Ventilation : placer l'équipement dans un local ventilé.
- IP31.
- Pollution : degré de pollution 2 (CEI 61010-1).
- Humidité ≤ 95 %.
- Altitude ≤ 2000 m.

DANGER

RISQUE DE CHOC ÉLECTRIQUE, D'EXPLOSION OU D'ARC ÉLECTRIQUE

- Ne pas installer l'équipement dans un environnement sale ou poussiéreux quelque soit les types ou natures de saletés ou poussières.
- Ne pas installer l'équipement dans des zones où des risques de fuite de fluide sont probables (passage de canalisations à proximité de l'équipement...).
- Ne pas installer cet équipement dans une zones classée ATEX (atmosphère explosive).

Le non-respect de ces instructions provoquera la mort ou des blessures graves.

AVERTISSEMENT

RISQUE D'ÉCHAUFFEMENT A L'INTÉRIEUR DE L'ÉQUIPEMENT

Ne pas installer sur un sol chauffant (infracaibles, résistances chauffantes, tuyaux de chauffage pour fluides caloriporteurs).

Le non-respect de ces instructions peut provoquer la mort, des blessures graves ou des dommages matériels.

Limites de fonctionnement

- Usage intérieur exclusivement.
- Alimentation :
 - fluctuations de la tension du réseau d'alimentation : -10 % à +10 % de la tension nominale
 - surtensions transitoires pour le réseau d'alimentation : catégorie d'installation III (CEI 61010-1)
 - distorsion et harmonique : NLL (Non Linear Load) ≤ 15 %.

Propreté

- L'emplacement destiné à l'installation de l'équipement doit être propre.
- L'équipement étant très sensible à la poussière, l'application sur le sol d'une peinture anti-poussière est recommandée afin de limiter le risque de dépôt de poussière à l'intérieur de l'équipement.

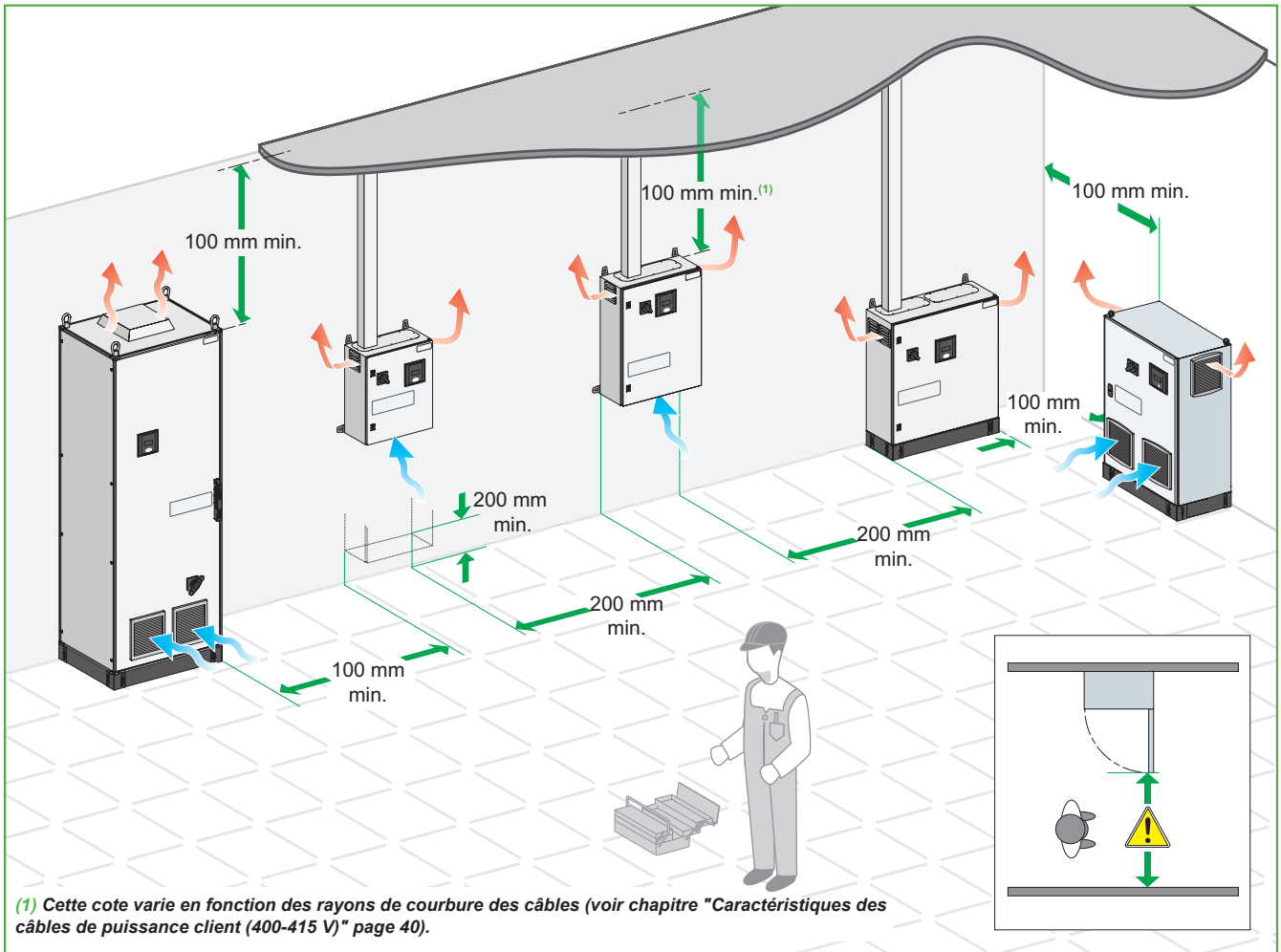
Autres conditions d'utilisation

Pour toute installation en dehors de ces caractéristiques, consulter Schneider Electric.

Réserve d'espace autour de l'équipement

Prévoir :

- un espace nécessaire à une ventilation correcte des équipements
- un espace suffisant pour permettre l'arrivée des câbles courant faible et courant fort
- un espace suffisant autour de l'équipement pour les futures extensions
- un espace suffisant pour permettre la maintenance
- un espace suffisant pour permettre l'ouverture des portes
- un espace libre à proximité des entrées et sorties d'air.



⚠ AVERTISSEMENT

RISQUE D'ÉCHAUFFEMENT À L'INTÉRIEUR DE L'ÉQUIPEMENT

- Respecter les distances d'espace minimales spécifiées autour des entrées et sorties de ventilation (100 mm minimum).
- Espacer de 200 mm minimum 2 sorties de ventilation situées en vis à vis.
- Ne placer aucune source de chaleur en face d'une entrée de ventilation.

Le non-respect de ces instructions peut provoquer la mort, des blessures graves ou des dommages matériels.

⚠ AVERTISSEMENT

RISQUE D'OBSTRUCTION DES VOIES D'ÉVACUATION

- Respecter les distances de sécurité pour permettre le passage en cas d'évacuation des locaux, conformément à la réglementation applicable.

Le non-respect de ces instructions peut provoquer la mort, des blessures graves ou des dommages matériels.

Caractéristiques des locaux d'installation

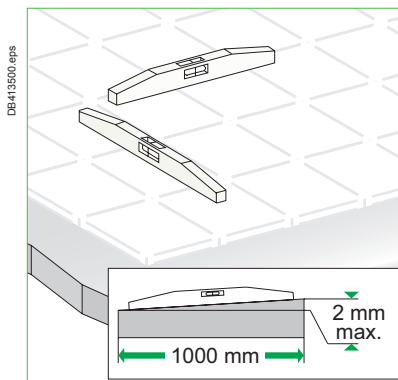
Caractéristiques des sols et des murs

Le sol ou le mur doit présenter une planéité correcte.

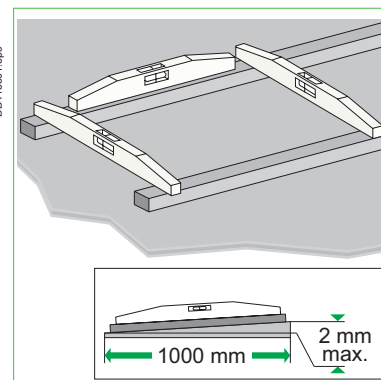
La tolérance acceptée est de ± 2 mm/m. Dans le cas contraire, utiliser des supports profilés U,T, I en vérifiant la rectitude et le niveau obtenus dans les 2 axes.

Préparation des sols et des murs

Planéité et horizontabilité des sols

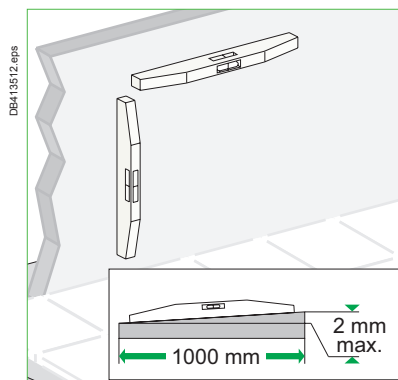


Contrôle de niveau.

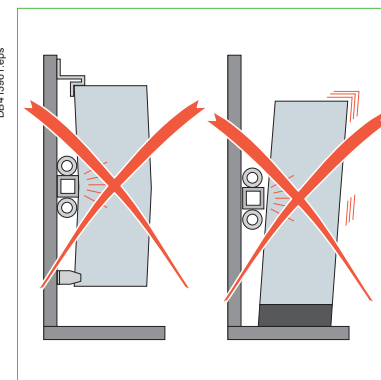


Contrôle de niveau.

Planéité des murs

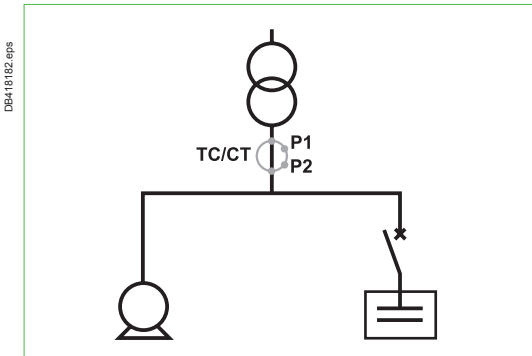


Contrôle de niveau.



Aucun élément ne doit appuyer contre la face arrière de l'équipement.

Caractéristiques de l'installation en amont de l'équipement



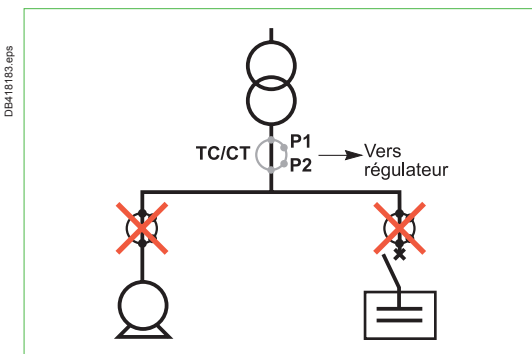
Protection en amont de l'équipement.

Protection en amont de l'équipement

Vous devez protéger votre équipement en amont à l'aide d'un dispositif de protection adéquat et dédié à l'équipement, en respectant les règles de filiation.

Ce dispositif vous permet de :

- faire la consignation de votre équipement
- protéger votre installation du tableau principal à votre équipement.



Emplacement du TC sur le circuit de puissance.

Mesure de courant pour la compensation automatique

Caractéristiques du transformateur de courant

- S'assurer que son secondaire est bien de 5 A Max.
- S'assurer que sa puissance est supérieure à 10 VA.
- S'assurer que sa classe est cl1.

Emplacement du transformateur de courant

- Installer le TC impérativement en amont de l'équipement et des récepteurs (moteurs...) ; voir schéma ci-contre.

Ne pas réaliser de dérivation

Le transformateur de courant doit être dédié à l'équipement.

- Risque d'envoi de mauvaises informations au niveau du régulateur.
- Risque de perte de bénéfice de l'utilisation de l'équipement.

Connexion de terre du secondaire du transformateur de courant

Le transformateur de courant doit être connecté à la terre. Se référer à la notice du fabricant pour sa bonne installation.

Caractéristiques des câbles de puissance client (400-415 V)

Type de câbles préconisés : 1000 V, 105 °C.

Les sections fournies dans les tableaux sont données à titre indicatif.

Elles ne tiennent pas compte :

- des longueurs à mettre en œuvre
- du mode de pose : goulotte ou caniveau
- de la température ambiante autour du conducteur.

⚠ AVERTISSEMENT

RISQUE DE PERTE D'ISOLEMENT ET DE COURT-CIRCUIT

Dimensionner les câbles de puissance selon les normes CEI 60439-1 et CEI 61921.

Le non-respect de ces instructions peut provoquer la mort, des blessures graves ou des dommages matériels.

Sections recommandées pour les câbles de puissance client

Fq Hz	Rang d'accord self anti-harmonique	Puissance kvar	Courant de dimensionnement des câbles (1,5 In) A	Section mini. de raccordement		Capacité maxi. de raccordement ⁽¹⁾	
				mm ²	nb de câbles	mm ²	nb de câbles
Sans self anti-harmonique							
Coffrets							
50	Non applicable	7,5	16	2,5	1	25 70 ⁽²⁾	1
		15	32	6	1		
		17,5	38	10	1		
		20	43	10	1		
		25	54	16	1		
		30	65	25	1		
		37,5	81	25	1	120 70 ⁽²⁾	2 1 ⁽²⁾
		45	97	35	1		
		50	108	35	1		
		60	130	50	1		
		70	152	70	1		
		75	162	70	1		
		82,5	179	95 70 ⁽²⁾	1	240	2
		90	195	95 70 ⁽²⁾	1		
		100	217	95	1		
		125	271	150	1		
150	325	185	1				
175	379	240	1				
200	433	150	2				
Armoires							
50	Non applicable	225	487	150	2	240	2
		250	541	185	2		
		275	595	185	2		
		300	650	240	2		
		350	758	240	2		
		400	866	185	3	240	4
		450	974	185	3		
		500	1083	240	3		
		550	1191	240	3		
		600	1299	240	3		

(1) En fonction des accessoires de raccordement.

(2) Tarif jaune.

Caractéristiques du conducteur de protection de terre

⚠ ATTENTION
<p>RISQUE DE PERTE D'ISOLEMENT ET DE COURT-CIRCUIT Dimensionner la section du conducteur de protection de terre selon la norme CEI 60364-5-54.</p> <p>Le non-respect de ces instructions peut provoquer la mort, des blessures graves ou des dommages matériels.</p>

La section du câble doit tenir compte de la capacité de l'accessoire de raccordement sur l'équipement.

Caractéristiques des câbles auxiliaires

Type de câbles préconisés : 1000 V, 105 °C.

Les valeurs sont données à titre indicatif ; il convient d'adapter la section d'après l'environnement, la longueur des câbles.

Matériel	Section mm ²	Section maxi mm ²	Nb de bornes	Nb de conducteurs par borne (Fil souple/rigide)
Transformateur de courant	2,5	4	2	1
Protection des auxiliaires en version sans transformateur de tension	2,5	2,5	2	1
Groupe électrogène	1	2,5	2	1
Alarme régulateur	1	2,5	2	1
Commande cos φ2	0,6	1	2	1

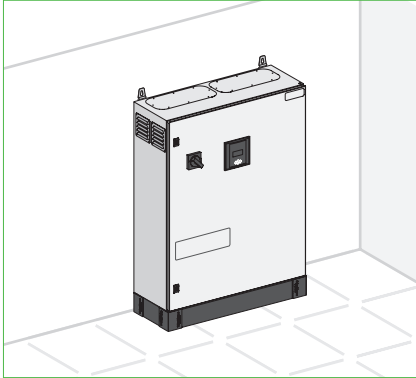
Pour toutes autres sections à mettre en œuvre, consulter les services de Schneider Electric.

Matériel à prévoir pour le raccordement du module de communication

Non inclus dans l'équipement.

■ Câble recommandé : Belden 3106A blindé AWG22 3 brins.

DB419771.eps



Coffret VLVAF2L avec option socle.

Fixation au sol

⚠ AVERTISSEMENT

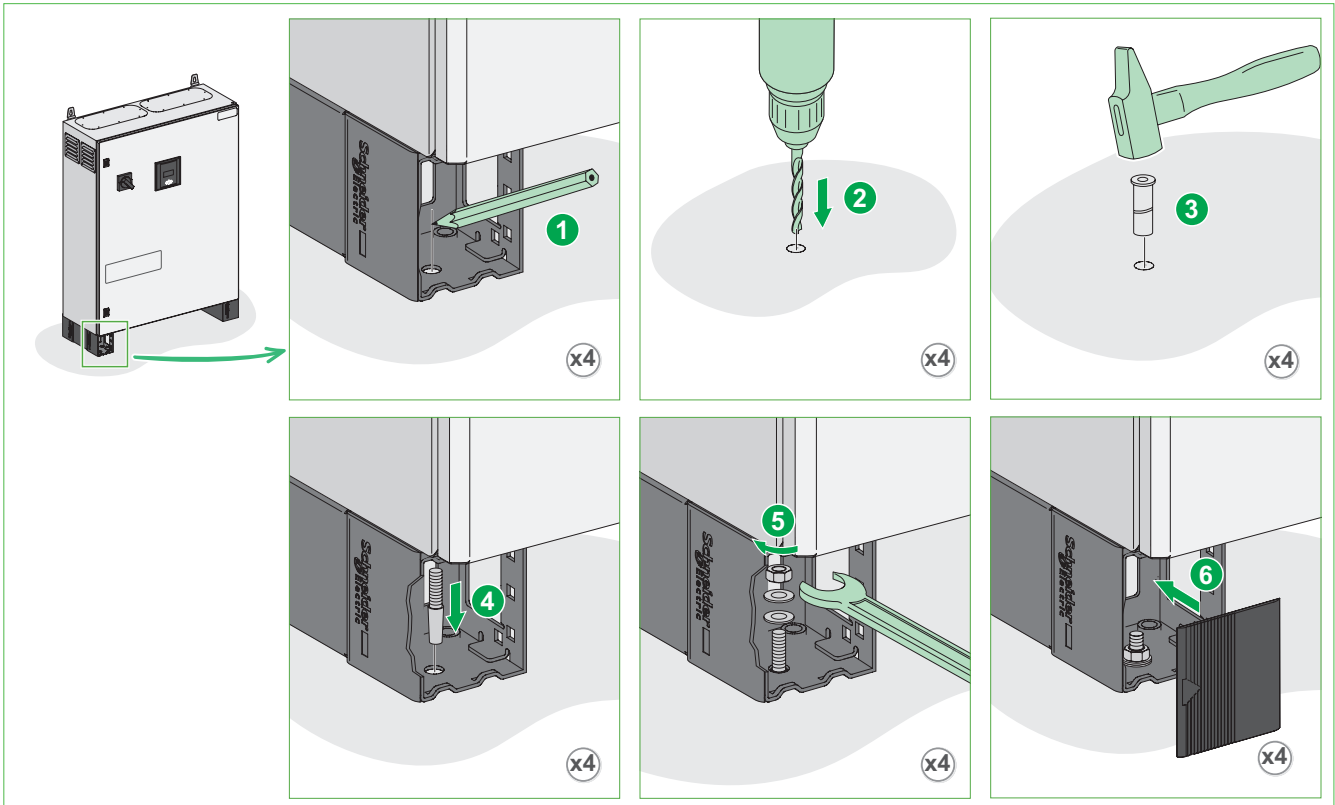
RISQUE DE BASCULEMENT DU COFFRET

- Fixer l'équipement en utilisant les points de fixation indiqués.
- Utiliser des fixations adaptées à la nature du support et à la masse de l'équipement.

Le non-respect de ces instructions peut provoquer la mort, des blessures graves ou des dommages matériels.

- Positionner l'équipement à l'emplacement choisi.
- Déclipser les caches des angles du socle.
- Repérer les points de fixation, voir cotes ci-dessous.
- Retirer l'équipement.
- Percer le sol et positionner les éléments de fixation (visserie 12 mm préconisée).
- Positionner l'équipement dans son emplacement et visser les vis de fixation.

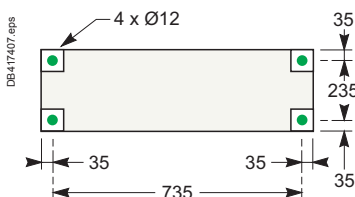
DB419772.eps



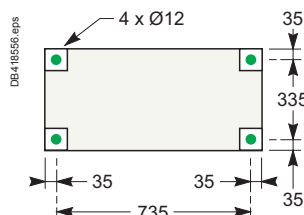
Repérage des points de fixation au sol.

Cotes de fixation au sol (mm)

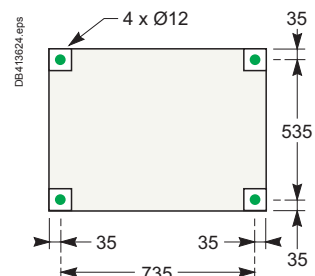
VLVAF2L (avec option socle)

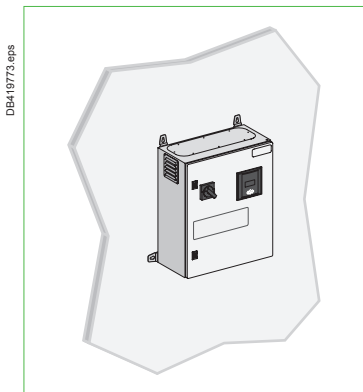


VLVAF3L



VLVAF5L





Coffrets VLVAV0L, VLVAV1L et VLVAV2L.

Installation au mur

⚠ AVERTISSEMENT

RISQUE DE CHUTE DU COFFRET

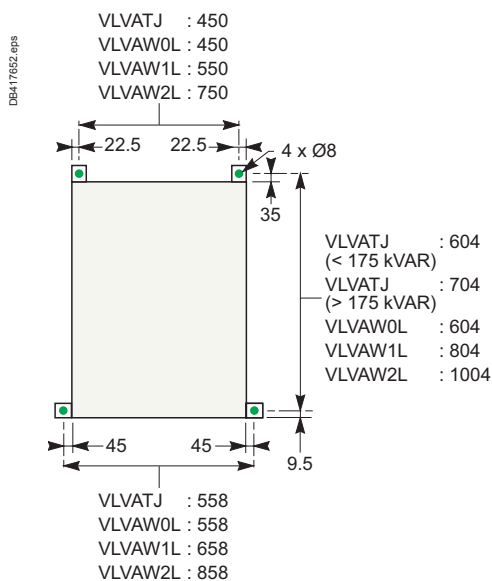
- Fixer l'équipement en utilisant les points de fixation indiqués ci-dessous.
- Utiliser des fixations adaptées à la nature du support et à la masse de l'équipement (voir "Dimensions et masses des équipements" en page 35).

Le non-respect de ces instructions peut provoquer la mort, des blessures graves ou des dommages matériels.

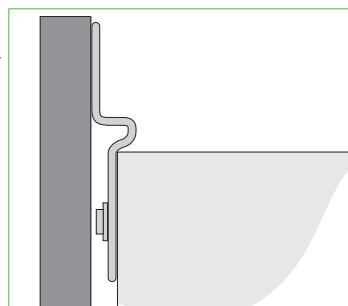
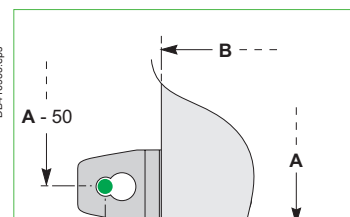
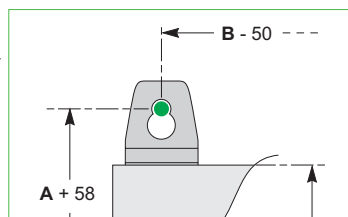
- Positionner l'équipement à l'emplacement choisi.
- Repérer les points de fixation des pattes de fixation, voir cotes ci-dessous.
- Retirer l'équipement.
- Percer le mur et positionner les éléments de fixation (visserie 12 mm préconisée).
- Positionner l'équipement dans son emplacement et visser les vis de fixation.

Cotes de fixation au mur (mm)

VLVATJ, VLVAV0L, VLVAV1L et VLVAV2L



Détail des pattes de fixation



Légende :

- Position de la vis.



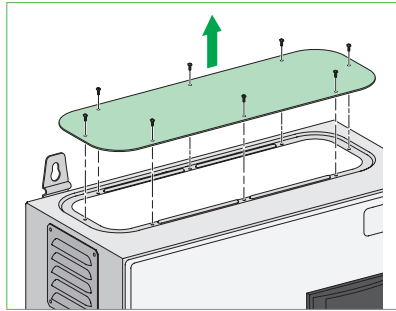
Préparation des câbles pour raccordement

⚠ ⚠ DANGER

RISQUE DE CHOC ÉLECTRIQUE, D'EXPLOSION OU D'ARC ÉLECTRIQUE

Se tenir à l'écart du coffret ou de l'armoire lors du perçage, afin d'éviter toute chute de copeaux dans les équipements.

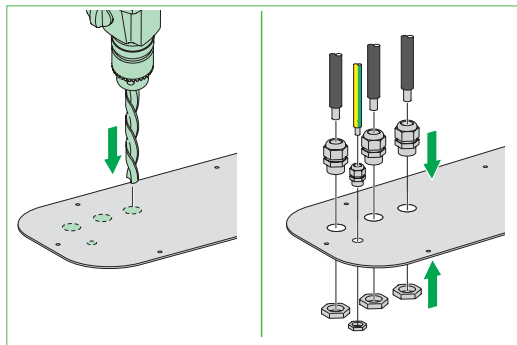
Le non-respect de ces instructions provoquera la mort ou des blessures graves.



Retrait de la plaque passe-câbles (exemple d'arrivée par le haut).

Pour les équipements VLVAWOL, VLVAW 1L, VLVAW2L et VLVATJ

- Retirer la plaque passe-câbles.



Perçage de la plaque passe-câble, passage des câbles et mise en place des presse-étoupes.

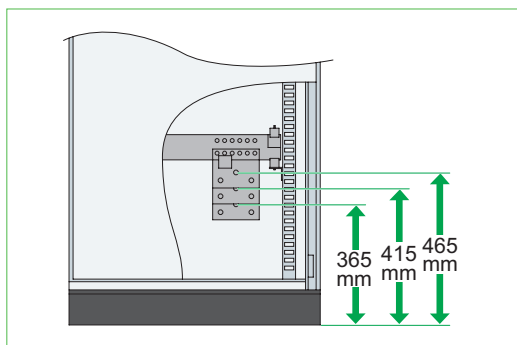
- Percer les trous de diamètre adaptés aux presse-étoupes prévus par le passage :

- des câbles de puissance,
- des 2 fils du transformateur de courant (pour les modèles à compensation automatique),
- du câble de terre.

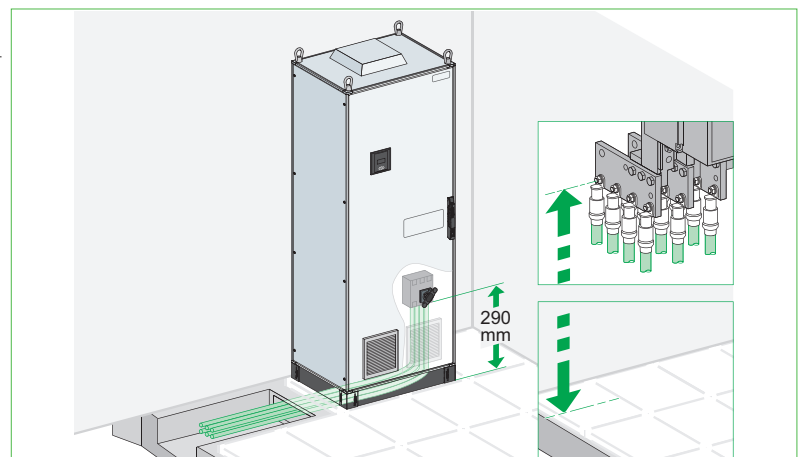
- Passer les câbles à travers la plaque en plaçant des presse-étoupes (non fournis) de performance équivalente à l'indice de protection de l'équipement.

Pour les équipements VLVAF3L et VLVAF5L

- Pour les équipements VLVAF3L et VLVAF5L (raccordement par le bas), prendre en compte la hauteur des raccordements afin d'obtenir un rayon de courbure correct.

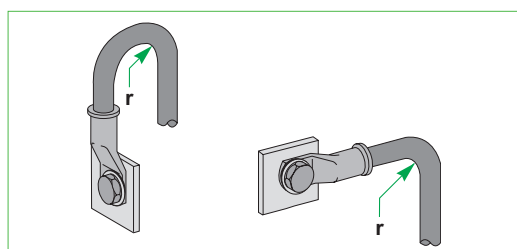


Raccordement avec plages cuivre.

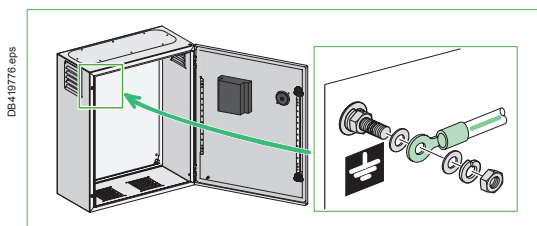


Mise en œuvre des câbles

Les normes préconisent un rayon de courbure de 6 à 8 fois le diamètre. Se référer au rayon de courbure donné par le fournisseur de câbles.



Rayon de courbure.

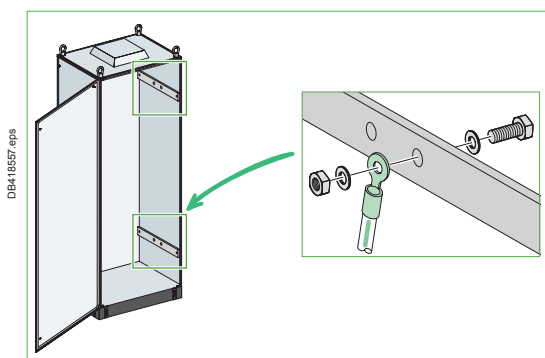


Raccordement avec goujons de terre.

Raccordement à la terre

Pour les équipements VLVAW0L, VLVAW1L, VLVAW2L, VLVATJ et VLVAF3L

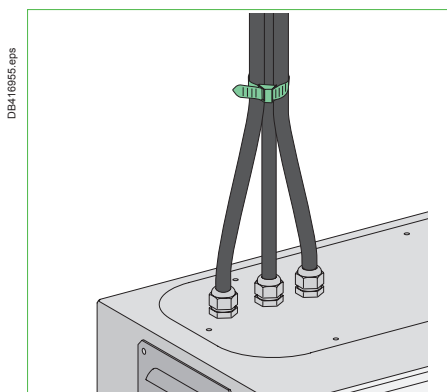
- Réaliser la liaison en utilisant un câble de section appropriée ; voir paragraphe "Caractéristiques des câbles client" en page 40 pour la section des câbles de protection.
- La liaison se fait à l'aide d'un écrou avec rondelle de contact de chaque côté.
- Appliquer un couple de serrage de : $5 \pm 0,5$ N.m.



Raccordement avec barre de terre.

Pour les équipements VLVAF5L

- Dévisser le capuchon de protection situé sur le goujon de terre.
- Réaliser la liaison en utilisant un câble de section appropriée ; voir paragraphe "Caractéristiques des câbles client" en page 40 pour la section des câbles de protection.
- La liaison se fait à l'aide d'un écrou avec rondelle de contact de chaque côté.
- Appliquer un couple de serrage de : 75 N.m (vis M12 classe 8-8) pour une barre de terre.



Frettage des câbles.

Raccordement des câbles de puissance client

⚠ ⚠ DANGER

RISQUE DE CHOC ÉLECTRIQUE, D'EXPLOSION OU D'ARC ÉLECTRIQUE

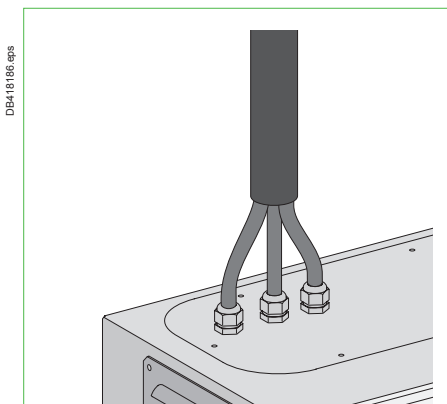
- Voir tableau de section des câbles de puissance.
- Se référer à la notice du disjoncteur de protection fournie avec votre équipement pour le type de liaison à réaliser (cosse, embout).
- Connecter les câbles avec des rondelles et des écrous-boulons.
- Respecter les couples de serrage.

Le non-respect de ces instructions provoquera la mort ou des blessures graves.

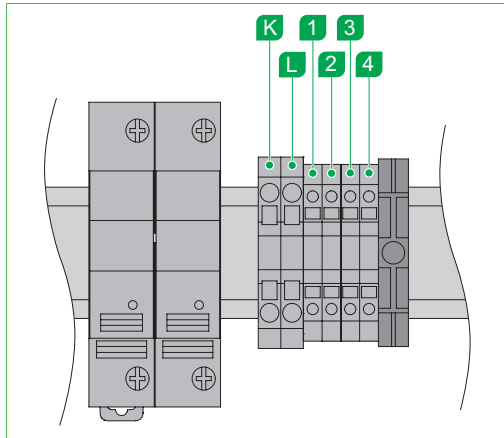
- Visser les cosses sur les bornes et plages de raccordement.
- L'ordre des phases L1, L2, L3 doit correspondre à l'ordre des phases sur le bornier ou l'appareil de protection de l'équipement.
- Serrer les vis au couple défini en fonction du type de raccordement (voir notice du disjoncteur d'arrivée ou de l'accessoire).
- Marquer la connexion à l'aide d'un vernis adapté.
- Fretter les câbles sur les maintiens.

Type de disjoncteurs de protection

Equipements	Protection d'entrée
VLVAW0L	Acti9 iC60
	CVS100F
VLVAW1L	CVS160F
	CVS250F
	CVS400F
VLVAW2L	CVS630F
	CVS630F
VLVAF3L	CVS630F
VLVAF5L	NS800N
	NS1000N
	NS1250N



Frettage des câbles multibrin.



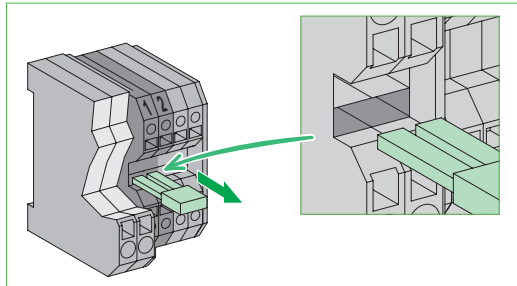
Désignation des bornes.

Raccordements auxiliaires

- Pour les équipements VLVAW0L, VLVAW1L, VLVAW2L, VLVAWJ, VLVAF3L, le raccordement auxiliaire (K, L, 1, 2, 3, 4) est situé en haut à gauche à l'intérieur du coffret.
- Pour les équipements coffrets VLVAF5L, le raccordement auxiliaire (K, L, 1, 2, 3, 4) est situé en bas à gauche à l'intérieur de l'armoire.

Equipements	Mesure courant régulateur	Groupe électrogène	Alarme régulateur
Caractéristiques	Entrée courant 5 A Puissance 5 VA	Entrée contact sec. 415 V, ≤ 50 mA	Sortie contact sec. Contact NF Alarme présente = contact fermé 2 A / 250 V AC
VLVAW0L / VLVAW1L / VLVAW2L / VLVAF3L / VLVAF5L	K L	1 2	3 4

Consulter le paragraphe "Caractéristiques des câbles auxiliaires" en page 41 pour la section des câbles auxiliaires.



Retrait du cavalier du bornier de raccordement du groupe électrogène.

Raccordement avec groupe électrogène

AVIS

RISQUE DE DÉGRADATION DE PERFORMANCE DE L'INSTALLATION

Il est indispensable de déconnecter la batterie lors du fonctionnement du groupe électrogène.

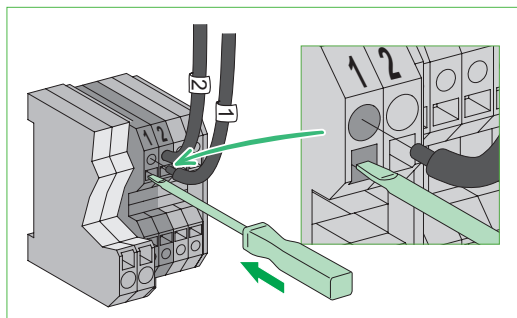
Le non-respect de ces instructions entraînera le non démarrage du groupe électrogène et la perte de disponibilité de l'installation.

Lors du démarrage du groupe électrogène, celui-ci procure une information d'arrêt de la batterie par l'ouverture d'un contact. Ce contact doit être connecté sur les bornes Xa1 et Xa2.

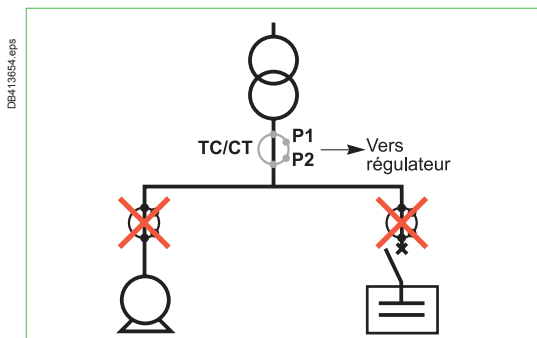
Retirer le cavalier.

Raccorder sur les bornes 1 et 2 les 2 fils provenant du groupe électrogène.

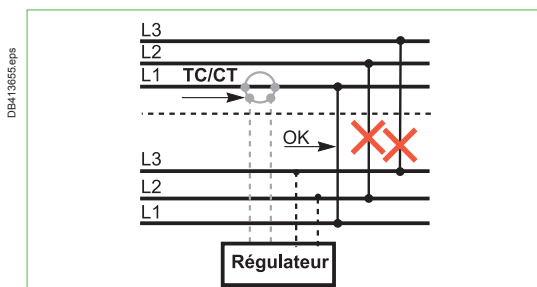
Au démarrage du groupe électrogène, l'alimentation du bornier est coupée, la batterie cesse de fonctionner.



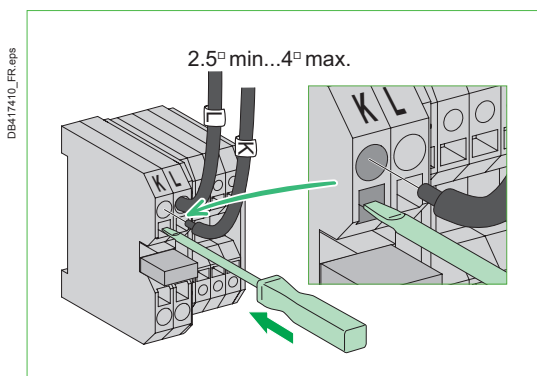
Raccordement du groupe électrogène.



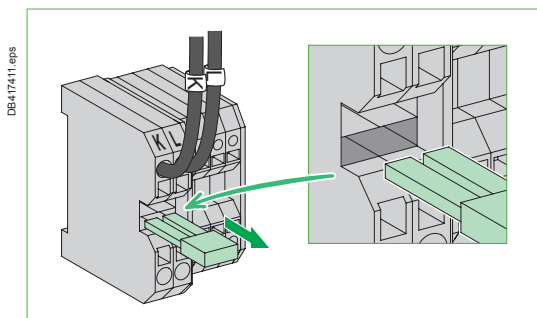
Emplacement du TC sur le circuit de puissance.



Raccordement du TC.



Raccordement d'un TC.



Retrait du cavalier sur le bornier de raccordement du TC.

Pour la compensation automatique uniquement.

Installation de transformateur de courant (TC) sur le réseau

- Installer le TC impérativement en amont de l'équipement et des récepteurs (moteurs...) ; voir schéma ci-contre.

Raccordement du transformateur de courant

- Raccorder la borne P1 sur la borne K du bornier et P2 sur la borne L du bornier.

Pour plus d'informations, se référer à la documentation du TC (non fourni par Schneider Electric, hors réf. VLVATJ).

- Retirer le cavalier après avoir relié le TC au bornier, voir page suivante. En cas d'intervention sur le circuit secondaire du TC, conserver le cavalier Schneider Electric, réf. AB1RRAL42.

Le transformateur de courant doit être placé sur la phase 1 du circuit de puissance.

Le circuit secondaire du transformateur de courant doit être connecté à la terre.

Raccordement du transformateur de courant (TC) sur le régulateur

Le but est de relier le régulateur à la mesure de courant du réseau client.

⚠ ⚠ DANGER

RISQUE DE CHOC ÉLECTRIQUE, D'EXPLOSION OU D'ARC ÉLECTRIQUE

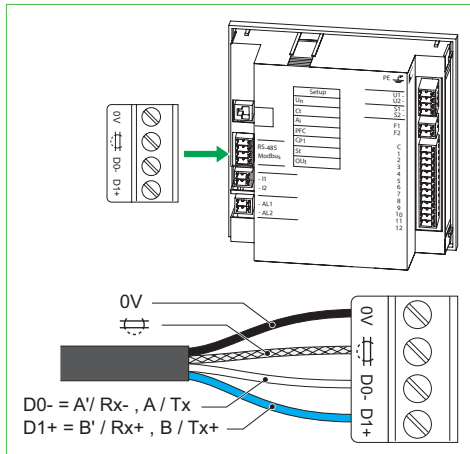
- Ne jamais ouvrir le circuit secondaire d'un transformateur de courant lorsque le circuit primaire est sous tension.
 - Avant toute intervention sur le circuit secondaire, les bornes secondaires du transformateur de courant doivent être court-circuitées en utilisant le cavalier Schneider Electric ref. AB1RRAL42.
- Le non-respect de ces instructions provoquera la mort ou des blessures graves.**

Ne pas réaliser de dérivation

Le transformateur de courant doit être dédié à l'équipement.

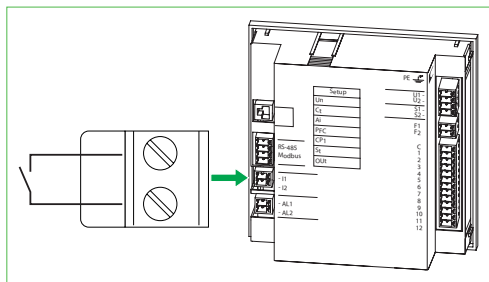
- Risque d'envoi de mauvaises informations au niveau du régulateur.
- Risque de perte de bénéfice de l'utilisation de l'équipement.

DB419385.eps



Raccordement du module.

DB419386.eps



Raccordement de la communication

Matériel à prévoir (non inclus dans l'équipement)

- Câble recommandé : Belden 3106A blindé AWG22 3 brins.

Raccordement sur le régulateur

- Ordre des fiches
 - 0 V communication
 - Blindage de la communication (pas de liaison avec le 0 V, ni avec la masse du contrôleur)
 - Signal D0-
 - Signal D1+.
- Tension d'isolement 1,3 kV
- Section de câble : 0,2 à 1 mm² (30-19 AWG)
- Câble recommandé : Belden 3106A blindé AWG22 3 brins
- Couple de serrage D1+ = B' / Rx+ , B / Tx+ 0,5 to 5 Nm.

Se référer à la documentation du module de communication Modbus VL6/12 7EN02-0376.

Raccordement de la fonction cos φ 2

- Caractéristiques :
 - Entrée auto-alimentée (5 V-10 mA) pour contact sec. NO ou NF
 - L'état est paramétrable dans le contrôleur, par défaut NO
 - contact ouvert : cos φ 1
 - contact fermé : cos φ 2.
- Section 0,2 à 1 mm², long maxi 100 m.
- Pour une longueur > 50 m, utiliser une section d'au moins 0,6 mm².

Installation du câble de communication ou cos φ 2 à l'intérieur de l'équipement

Depuis la plaque passe câble rejoindre le régulateur en suivant le faisceau des câbles de commande. Voir § Préparation des câbles pour raccordement page 44.

Le câble doit respecter les distances d'isolement et ligne de fuite à l'intérieur de l'équipement.

Selon l'équipement fourni, utiliser des embases de frettage autocollantes pour maintenir le câble depuis la plaque passe câble jusqu'au faisceau des câbles de commande.

Maintenir le câble sur le faisceau de câbles de commande à l'aide de colliers de frettage supplémentaires.

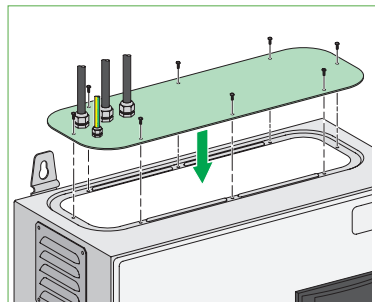
Positionner les colliers à intervalles réguliers, le câble ne doit pas être libre à l'intérieur de l'équipement.

Le câble ne doit pas gêner la rotation de la porte, ni être coincé lors de la fermeture de celle-ci.

Dernières opérations après la réalisation des raccordements

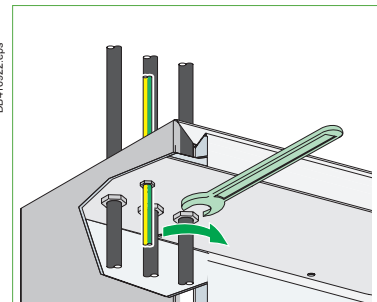
- Remettre en place la plaque passe-câbles pour les raccordements par le haut ou par le bas.
- Visser les presse-étoupes.

DB419777.eps



Remise en place de plaque passe-câbles (exemple d'arrivée par le haut).

DB416922.eps



Vissage des presse-étoupes.

Contrôles préliminaires

DANGER

RISQUE DE CHOC ÉLECTRIQUE, D'EXPLOSION OU D'ARC ÉLECTRIQUE

- Toute intervention doit être menée par du personnel électricien qualifié et habilité.
- L'équipement doit être placé hors tension avant nettoyage.

Le non-respect de ces instructions provoquera la mort ou des blessures graves.

Nettoyage

Avant de procéder à sa mise en service et afin de garantir les distances d'isolement et les lignes de fuite, l'équipement doit être débarrassé des poussières ou débris introduits lors de l'installation. Contrôler en particulier les filtres, les grilles de ventilation, les jeux de barres et leurs supports et les connexions électriques.

L'espace autour de l'équipement doit également être débarrassé des accumulations de poussières ou de particules fines.

- Utiliser un aspirateur pour réaliser ce nettoyage.
- Ne jamais nettoyer à l'aide d'air comprimé afin d'éviter le déplacement des saletés vers d'autres surfaces.
- Utiliser des chiffons secs.

Vérifications

- Vérifier l'absence de tout objet étranger dans l'équipement (outils, ...).
- Vérifier l'intégrité de la protection des câbles de puissance en amont et en interne de l'installation.
- Vérifier l'intégrité du conducteur de protection de terre et son raccordement.
- Vérifier les couples de serrage.
- Contrôler la mise en œuvre du transformateur de courant : le positionnement sur la phase 1, les fixations mécaniques et les raccordements électriques.
- Vérifier la configuration du réseau de communication : résistance de polarisation, résistance de fin de ligne.
- Vérifier que la valeur de tension réseau est identique à celle de l'équipement.
- Verifique que la tensión de red coincide con la tensión del equipo.

Mise sous tension

DANGER

RISQUE DE CHOC ÉLECTRIQUE, D'EXPLOSION OU D'ARC ÉLECTRIQUE

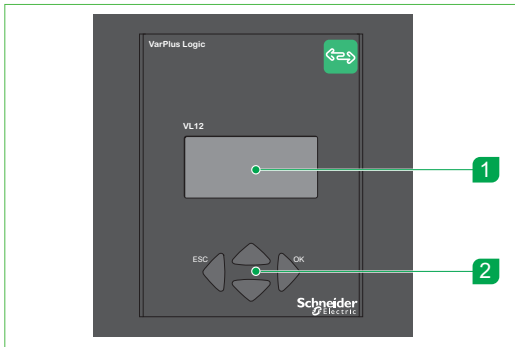
- Toute intervention doit être menée par du personnel électricien qualifié et habilité.
- Respecter le délai de 50 s après mise hors tension avant toute intervention sur l'équipement (durée nécessaire à la décharge des condensateurs).
- Le régulateur n'est pas un dispositif de sécurité ; il ne permet pas la vérification de l'absence de tension.
- L'équipement doit être placé hors tension avant toute opération d'installation ou de maintenance.

Le non-respect de ces instructions provoquera la mort ou des blessures graves.

Vérifications en exploitation

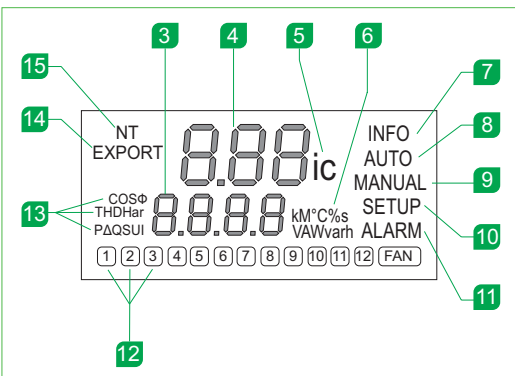
- En cas d'intervention, vérifier obligatoirement l'absence de tension. Le régulateur ne permet pas de vérifier l'absence de tension.
- Vérifier les commandes intempestives provoquées par le régulateur.
- En cas de fonctionnement en pleine charge, vérifier le bon enclenchement des gradins.
- Après quelques heures de fonctionnement, mesurer l'évolution de la température du local.

DB419376.eps



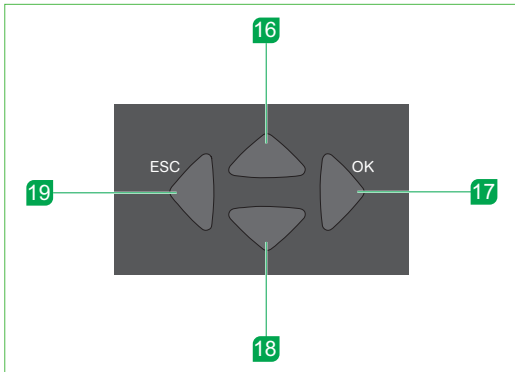
Vue extérieure du régulateur VL6/VL12

DB419377.eps



Ecran du régulateur

DB419378.eps



Touche de navigation du régulateur



Pour le réglage du régulateur, se reporter à la notice livrée avec le produit.

⚡ ⚠ DANGER

RISQUE DE CHOC ÉLECTRIQUE, D'EXPLOSION OU D'ARC ÉLECTRIQUE

Ne jamais réduire le délai d'enclenchement des gradins à un délai inférieur à 50 s.

Le non-respect de ces instructions provoquera la mort ou des blessures graves.

AVIS

RISQUE DE DÉGRADATION DE PERFORMANCES DE L'ÉQUIPEMENT

Le régulateur est paramétré en usine pour un fonctionnement normal et optimal. Toute modification de ces paramètres se fera sous la responsabilité de l'utilisateur.

Le non-respect de ces instructions entraînera la perte totale ou partielle de l'équipement et la non disponibilité de l'installation.

Bien que le régulateur installé dans votre batterie VarSet ait été pré-configuré pour fonctionner avec votre équipement, il reste les réglages suivants à paramétrer :

- la valeur de consigne du paramètre $\cos \varphi$
- la valeur du rapport du transformateur de courant (permet l'affichage correct des grandeurs mesurées).

Nota : Pour des informations détaillées sur le régulateur se référer à la notice de l'appareil livrée avec le matériel.

Important

- En cas d'alimentation via un TC sommateur (installations comportant plusieurs TC), le rapport à prendre en compte est la somme des rapports des différents TC.
- Pour une installation équipée d'un groupe électrogène, il est nécessaire de déclencher la batterie avant de basculer sur le groupe, en coupant l'alimentation du régulateur.

- | | |
|--|---|
| <p>1 Ecran</p> <p>2 Touches de navigation</p> <p>3 Affichage numérique pour les mesures</p> <p>4 Cosinus phi (DPF)</p> <p>5 Cosinus (φ) inductif ou capacitif (en retard ou en avance)</p> <p>6 Unités de mesure</p> <p>7 Informations sur les gradins</p> <p>8 Indique le mode automatique</p> <p>9 Indique le mode de fonctionnement manuel des gradins</p> <p>10 Indique le mode menu de configuration</p> | <p>11 Le clignotement indique que l'alarme est activée</p> <p>12 Numéro de gradin allumé si activé</p> <p>13 Mesure affichée</p> <p>14 Indique un flux de puissance exporté vers le réseau</p> <p>15 Indique qu'une deuxième cible de cosinus (φ) est activée</p> <p>16 <ul style="list-style-type: none"> ■ Augmenter les valeurs ■ Sélectionner des éléments de menu </p> <p>17 <ul style="list-style-type: none"> ■ Ouvrir le menu ■ Déplacer le curseur vers la droite ■ Paramètres </p> <p>18 <ul style="list-style-type: none"> ■ Diminuer les valeurs ■ Sélectionner des éléments de menu </p> <p>19 <ul style="list-style-type: none"> ■ Quitter le menu ■ Déplacer le curseur vers la gauche </p> |
|--|---|

Mise en service simple d'un contrôleur VarPlus Logic

Avant de paramétrer le contrôleur, veuillez vous assurer que le cavalier sur les bornes KL soit retiré.

Allez dans SETUP 100 :

1. Configurez le rapport de TC (Ct) et le cosinus (φ) (CP1).
2. Si l'écran du contrôleur affiche PFC OFF, réglez le paramètre PFC sur ON avant de lancer la fonction Ai.
3. Lancez l'initialisation automatique en faisant passer l'option "Ai" de OFF à ON.

La fonction Ai détecte automatiquement les gradins de condensateur connectés et vérifie si la connexion de phase (angle entre la tension et la position du TC) est correcte. La séquence Ai consiste à activer puis désactiver les gradins plusieurs fois. Ce processus dure plusieurs minutes, puis le relais se stabilise.

Pendant cette séquence, le contrôleur affiche "Ai".

Critères minimum pour lancer Ai	Pour une détection de gradin réussie avec Ai
<ul style="list-style-type: none"> ■ Tension conforme à la tolérance ■ TC connecté ■ Protection des condensateurs fermées ■ Courant d'entrée suffisant. 	<ul style="list-style-type: none"> ■ Rapport de TC proportionnel à la dimension du transformateur ■ Taille du plus petit gradin suffisante ■ Niveau de charge au lancement de la séquence Ai suffisant ■ Faible variation de la charge pendant la séquence Ai.

À la fin de la séquence Ai, le contrôleur passe en mode automatique.

Réussite de la séquence Ai	Échec de la séquence Ai [erreur "A brt"]
<ul style="list-style-type: none"> ■ En cas d'inversion du câblage de phase, le contrôleur effectue automatiquement une correction interne de l'angle de phase et passe en mode normal. Le message "Auto" s'affiche. ■ Vérification finale de la détection de gradin : <ul style="list-style-type: none"> □ Allez dans SETUP 100 > OUT > flèche droite (pour ouvrir) et vérifiez que l'état de tous les gradins correspond bien à la configuration du groupe PFC. (FIX OFF = gradin non détecté. AUTO = gradin détecté.) □ Si nécessaire, remplacez l'état OUT par la valeur attendue. 	<ul style="list-style-type: none"> ■ En cas d'échec, relancez la séquence Ai. Si la séquence Ai échoue de nouveau, la connexion de phase (angle entre la tension et la position du TC) ne peut être détectée. La commande PFC se désactive et vous devez régler la connexion de phase manuellement. Reportez-vous au manuel d'utilisation.

Messages affichés par le régulateur et solutions

Le diagnostic d'un problème de fonctionnement, à la mise en service d'un équipement, peut généralement se faire à partir des affichages de l'écran du régulateur.

- L'indicateur ALARM clignote lorsqu'une alarme est active.
- Le menu d'alarme liste les 5 dernières alarmes consignées.

Alarme	Cause	Solution
Al/Abt	Auto-initialisation annulée	En cas de variations de la charge ou si les signaux de courant mesurés sont trop faibles, l'initialisation automatique peut être annulée
U	La tension mesurée se situe hors de la tolérance de tension.	Vérifiez les paramètres pour la tension nominale et le transformateur de tension.
I LO	Le courant mesuré est trop faible (courant de TC < 15 mA).	Erreur de connexion du TC ; court-circuit du TC non déconnecté ; rapport de TC trop élevé par rapport au courant réel ; absence de courant.
I Hi	Le courant mesuré est trop élevé.	La charge est trop élevée ou la sélection du TC est incorrecte.
PFC	Le contrôleur ne peut atteindre le cosinus(φ) cible. Compensation excessive ou insuffisante.	Vérifiez que le dimensionnement de l'équipement de compensation est suffisant pour la valeur de puissance réactive exigée par la charge.
HAr	La limite de THDU a été dépassée. Le contrôleur va déconnecter les gradins afin de corriger le THDU.	Vérifiez l'installation : THDU trop élevé ou résonance possible.
Step/Flty (le gradin défectueux clignote)	Au moins un gradin est défectueux. (Les gradins sont détectés comme défectueux au bout de trois connexions sans mesure.)	Vérifiez la connexion des gradins, la position des disjoncteurs à boîtier moulé (MCCB) ou des fusibles et l'état des condensateurs.
SPL/Nr	Détection d'un gradin avec moins de 75 % de puissance restante par rapport à la valeur initiale.	Vérifiez les paramètres et vérifiez la capacitance du condensateur.
Thi	La limite de température d'alarme a été dépassée.	Vérifiez les ventilateurs et la température ambiante.
OPH	La limite maximale d'heures de fonctionnement a été dépassée.	Vérifiez les fusibles ou disjoncteurs MCCB et les condensateurs dans le gradin. Vérifiez la valeur de capacitance et remplacez les condensateurs si la valeur est en deçà du seuil de tolérance.
OPC/Nr	La limite maximale de cycles de fonctionnement a été dépassée.	Vérifiez les fusibles ou disjoncteurs MCCB et les condensateurs dans le groupe PFC. Vérifiez la valeur de capacitance et remplacez les condensateurs si la valeur est en deçà du seuil de tolérance.
OL	Limite du ratio de surcharge en courant dans les condensateurs (d'après le calcul du THDU) a été dépassé.	Vérifiez l'installation : THDU trop élevé ou résonance possible
HU	Au moins un gradin a été détecté en battement. Le numéro de gradin clignote avec un code d'erreur	
Anomalie	Cause	Solution
Sans indication (AUTO)	Les relais ne commutent pas.	Dans le menu SETUP/100, la sélection pour le PFC est réglée sur OFF ou sur HOLD ; le rapport de TC n'est pas défini ; la température est trop élevée ; le courant est < 15 mA ; la tension, le THDU ou le rapport de surintensité est hors tolérance.
EXPORT	Exportation kW	S'il n'y a pas réellement d'exportation de puissance active (KW), vérifiez le raccordement de la tension et du courant au contrôleur.
Indication erronée du cosinus(φ)	Le câblage ne correspond pas aux réglages du contrôleur.	Vérifiez le raccordement de la tension et du courant au contrôleur.
Commutation fréquente des gradins	La puissance des gradins n'a pas été totalement détectée ou les condensateurs ne sont pas utilisables.	Vérifiez la puissance des gradins dans le menu INFO.
Tous les gradins sont réglés sur "Fix off".	TC mal positionné ou mal connecté ; court-circuit non éliminé.	Vérifiez la connexion et la position du TC.

⚠ ⚠ DANGER**RISQUE DE CHOC ÉLECTRIQUE, D'EXPLOSION OU D'ARC ÉLECTRIQUE**

- Toute intervention doit être menée par du personnel électricien qualifié et habilité.
- Respecter le délai de 50 s après mise hors tension avant toute intervention sur l'équipement (durée nécessaire à la décharge des condensateurs).
- Le régulateur n'est pas un dispositif de sécurité ; il ne permet pas la vérification de l'absence de tension.
- L'équipement doit être placé hors tension avant toute opération d'installation ou de maintenance.

Le non-respect de ces instructions provoquera la mort ou des blessures graves.

Dans le cadre du maintien du bon état de votre équipement, Schneider Electric préconise les opérations de maintenance ci-dessous.

Avant de réaliser toute opération de maintenance :

- Vérifier que les charges (charges non linéaires, générateurs d'harmoniques, ...) n'ont pas évolué depuis l'installation de votre équipement.
- Mesurer la température, les fluctuations de tensions et d'harmoniques sur votre réseau électrique avec les charges en fonctionnement et sur une période de temps significative.

Ces vérifications sont nécessaires pour identifier les évolutions de votre réseau et de son environnement de fonctionnement pour vous assurer que votre équipement est toujours adapté à ses conditions d'utilisation.

Dans le cas où un changement est constaté, contacter Schneider Electric pour vérifier que les conditions d'utilisation de votre équipement sont toujours remplies.

Plan de maintenance

	Périodicité	Tension		Niveau de maintenance
		Sous	Hors	
Vérification des conditions de fonctionnement				
Evolution des charges sur le réseau et contrôle de la température	1 an	■		2
Tension et niveau d'harmoniques	1 an	■		3
Vérifications de fonctionnement et mesures				
Réglages du régulateur et historique des alarmes	1 an	■		1
Mesure de capacité	1 an	■		3
Vérification des connexions électriques				
Vérification des couples de serrage des câbles	Initiale après 1 mois puis tous les ans		■	2
<i>Nota : contrôle visuel seulement sur les connexions marquées au vernis rouge.</i>				
Inspection visuelle				
Intégrité de l'enveloppe	1 an		■	1
Propreté	1 an		■	1
Intégrité des connexions de terre	1 an		■	1
Remplacement de composants (en conditions normales de fonctionnement)				
Condensateurs + contacteurs @ 35°C (température annuelle moyenne)	7 ans		■	3
Condensateurs + contacteurs @ 25°C (température annuelle moyenne)	10 ans		■	3
Ventilateurs	2 ans		■	1

Résolution de problème

Fin de vie et recyclage

Résolution de problème

Si des problèmes surviennent durant l'installation ou l'utilisation de votre équipement, reportez-vous aux informations ci-dessous.

Si les problèmes persistent, contacter votre représentant Schneider Electric.

Résolution de problème

Quoi	Cause potentielle	Actions
Pas d'affichage sur le régulateur	Voir guide d'utilisation (§ configuration et gestion du régulateur) & le manuel du régulateur inclus dans votre équipement	Voir guide d'utilisation (§ configuration et gestion du régulateur) & le manuel du régulateur inclus dans votre équipement
Alarmes sur régulateur	Voir guide d'utilisation (§ configuration et gestion du régulateur) & le manuel du régulateur inclus dans votre équipement	Voir guide d'utilisation (§ configuration et gestion du régulateur) & le manuel du régulateur inclus dans votre équipement
La poignée rotative est en position défaut	Le disjoncteur d'entrée est en défaut	NE PAS réenclencher le disjoncteur : conduire une analyse des causes
La protection en amont de l'équipement est en défaut	Les réglages de protection ne sont pas appropriés ou mal dimensionnés Des câbles sont endommagés L'équipement ne fonctionne pas correctement	NE PAS reseter le disjoncteur et NE PAS réenclencher les disjoncteurs : conduire une analyse des causes
L'enveloppe semble anormalement chaude	Les ventilateurs ne fonctionnent pas correctement Espace libre autour de l'équipement non respecté Température ambiante ne respecte pas les recommandations du constructeur	Dans tous les cas et en cas de doute, couper l'alimentation de l'équipement et conduire une analyse de cause Vérifier que le contact d'alarme de température excessive est connecté au système de supervision approprié En compensation automatique : vérifier l'alarme de température sur le régulateur
Bruit	Fonctionnement des contacteurs Self anti harmonique désynchronisée	Vérifier les alarmes du régulateur Vérifier les valeurs de capacité des condensateurs
La compensation n'apporte pas les résultats attendus sur la facture d'électricité	Les caractéristiques du réseau et des charges ont changé L'équipement est sous-dimensionné L'équipement ne fonctionne pas correctement Votre régie d'énergie a fait évoluer ses règles de facturation de l'énergie réactive	Conduire une analyse des causes

Fin de vie et recyclage

Se reporter au document réf. ENVEOLI 130603EN disponible sur le site de Schneider Electric, ou bien contacter votre correspondant Schneider Electric pour le lui demander.

▲ AVERTISSEMENT

RISQUE DE CHUTE OU DE BASCULEMENT DE L'ÉQUIPEMENT LORS DE LA MANUTENTION

- Utiliser des moyens de manutention adaptés aux dimensions et à la masse de l'équipement.
- Positionner correctement les moyens de manutention.
- Déplacer l'équipement avec beaucoup de précautions.
- Éviter les chocs et les déformations.

Le non-respect de ces instructions peut provoquer la mort, des blessures graves ou des dommages matériels.

Consignas de seguridad	56
------------------------	----

General

Introducción	58
Características técnicas	59
Dimensiones y pesos de los equipos	61
Características de los locales de instalación	62
Características de la instalación aguas arriba del equipo	65
Características de los cables cliente	66

Instalación

Instalación en la pared o suelo	68
Conexiones eléctricas	70
Puesta en tensión	75
Configuración del regulador	76

Operación

Gestión del regulador	78
-----------------------	----

Mantenimiento

Plan de mantenimiento	79
Resolución de los problemas - Final de la vida útil y reciclaje	80

Informaciones importantes

Lea atentamente estas instrucciones e examine el aparato para acostumbrarle con su funcionamiento antes de la instalación o del mantenimiento. Los mensajes especiales siguientes pueden aparecer en estas instrucciones o en el equipo para advertir al usuario de peligros potenciales o para llamar la atención sobre informaciones que aclaran o simplifican un procedimiento.



Si uno de estos dos símbolos aparece en una etiqueta de seguridad de "Peligro" o de "Advertencia", es para indicar un peligro eléctrico que puede provocar lesiones corporales si no se siguen las instrucciones.



Este es el símbolo de alerta de seguridad. Se utiliza para alertarle de potenciales peligros de lesiones corporales. Cumpla con todos los mensajes de seguridad que representan este símbolo para evitarle una lesión o la muerte.

PELIGRO

PELIGRO indica una situación de peligro inminente que, si no se evita, **provocará** la muerte o lesiones graves.

ADVERTENCIA

ADVERTENCIA indica una situación de peligro potencial que, si no se evita, **puede provocar** la muerte, lesiones graves.

ATENCIÓN

ATENCIÓN indica una situación de peligro potencial que, si no se evita, **puede provocar** lesiones menores, moderadas o daños en el equipo.

AVISO

AVISO se utiliza para prácticas que no ocasionan lesiones. El símbolo de alerta de seguridad no se utiliza con la palabra de señal.

NOTA : Provee informaciones complementarias para aclarar o simplificar un procedimiento.

Importante

Sólo un personal cualificado debe realizar la instalación, la explotación y el mantenimiento del equipo eléctrico. Schneider Electric no asume ninguna responsabilidad de posibles consecuencias derivadas del uso de esta documentación.

Una persona cualificada es una persona que tiene las competencias y la habilidad en relación con la construcción, la instalación y la explotación de equipos eléctricos. Ha recibido una formación en cuanto a la seguridad, permitiéndole reconocer y evitar los riesgos incurridos.

Antes de empezar

- Este manual no puede ser utilizado para definir o determinar la adecuación o la fiabilidad de estos equipos para aplicaciones específicas del usuario. Incumbe a cada usuario o integrador realizar un análisis de riesgos completo y apropiado, la evaluación y los ensayos correspondientes a los equipos utilizados para esta aplicación de la misma.
- Cuando el equipo se utilice en aplicaciones con requisitos técnicos de seguridad, hay que seguir las instrucciones apropiadas

PELIGRO

PELIGRO DE DESCARGA ELECTRICA FLASH, EXPLOSION O ARCO

- Utilice un equipo de protección personal (EPP) y siga las reglas de seguridad de trabajo eléctrico. Ver la NFPA 70E, CSA Z462 o las normas equivalentes locales.
- Este equipo debe ser instalado y mantenido por personal cualificado.
- Corte todas las fuentes de alimentación del equipo antes de realizar cualquier trabajo en el equipo.
- Utilice siempre un voltímetro con el calibre adecuado para confirmar que el equipo está sin energía.
- Antes de tocar cualquier parte activa, esperar por lo menos 5 minutos para que el equipo se auto descargue y luego poner en cortocircuito los bornes de cada condensador y conectarlos a tierra.
- Vuelva a colocar todos los dispositivos, puertas y tapas antes de energizar el equipo.

El incumplimiento de estas instrucciones provocará la muerte o lesiones graves.

- Los equipos están ensamblados en fábricas y no necesitan ninguna intervención durante la instalación excepto para los indicados más abajo.

ATENCIÓN

RIESGO DE DEGRADACIÓN DE RESULTADOS DEL EQUIPO

No se deben modificar las partes mecánicas o eléctricas.

Si no se siguen estas instrucciones, puede provocar lesiones menores, moderadas o daños en el equipo.

ATENCIÓN

RIESGO DE QUEMADURAS

En funcionamiento y durante varios minutos después de una parada, determinadas piezas del equipo pueden alcanzar temperaturas elevadas.

Antes de cualquier intervención, asegúrese de que las piezas metálicas hayan alcanzado una temperatura aceptable al tacto.

Si no se siguen estas instrucciones, puede provocar lesiones menores, moderadas o daños en el equipo.

Acaba de recibir su batería de condensadores (solución de eficiencia energética) baja tensión diseñada y fabricada por Schneider Electric. Para acompañarle durante la implementación, hemos realizado este manual. Contiene todas las informaciones necesarias para la preparación para instalar e utilizar su equipo.

Le aconsejamos leer atentamente y respetar estas instrucciones.

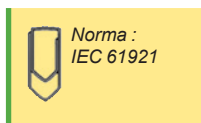
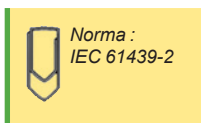
■ Ninguna parte de este documento puede ser reproducida de cualquiera forma o cualquier medio que sea, electrónico, mecánico o con fotocopia, sin la autorización escrita expresa de Schneider Electric.

■ Todas las reglamentaciones locales, regionales y nacionales pertinentes deben ser respetadas durante la instalación y la utilización de este producto.

■ Por seguridad y con el fin de garantizar la conformidad y características del equipo, sólo el fabricante está habilitado a realizar las reparaciones sobre los diferentes componentes que conforman el equipo.

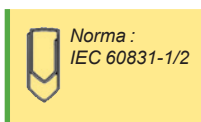
■ Si tiene propuestas para mejorar esta publicación, no dude en informarnos utilizando los datos de contacto indicados al final de este documento.





Características generales

- Tensión, frecuencia, potencia, según las indicaciones de la placa de características.
- Tensión de aislamiento : 500 V hasta 30 kvar, 690 V de 37 kvar.
- Resistencia 50 Hz 1 min : 2,5 kV.
- Corriente nominal de corta duración admisible : 15/25 kA (según modelo).
- Comunicación: Modbus RS485 2 cables.
- Alimentación auxiliar : 220/230 V 50 Hz (según modelo).
- Índice de protección : IP31.
- Función presencia grupo electrógeno (bornes XA1 - XA2).
- Color : RAL 7035
- Conforme a las normas IEC 61439-1 y IEC 61921.
- IK10.
- Contacto para anuncio de alarma de batería de condensadores (bornes XA3 - XA4).



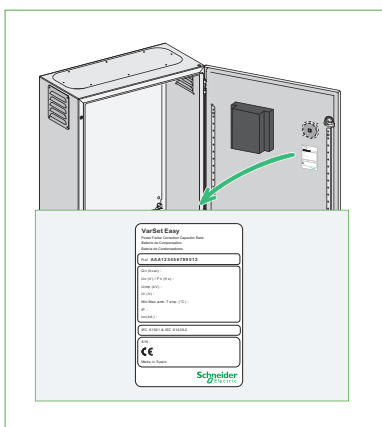
Características de los condensadores

- Tolerancia sobre las capacidades : -5 hasta +10 %.
- Sobrecargas admisibles en tensión (8 h sobre 24 h siguiendo IEC 60831-1/2) : 10 %.

Límites de funcionamiento

- Uso interior exclusivamente.
- Alimentación de fuente : 400/415 V - 50 Hz.

Placa de características



Localización de la placa de características.

VarSet Easy
Power Factor Correction Capacitor Bank
Batterie de Compensation
Bateria de Condensadores

Ref: **AAA123456789012**

Qn (kvar) :
Un (V) / Fn (Hz) :
Uimp (kV) :
Ui (V) :
Min/Max amb. Temp. (°C) :
IP :
Icc(kA) :

IEC 61921 & IEC 61439-1

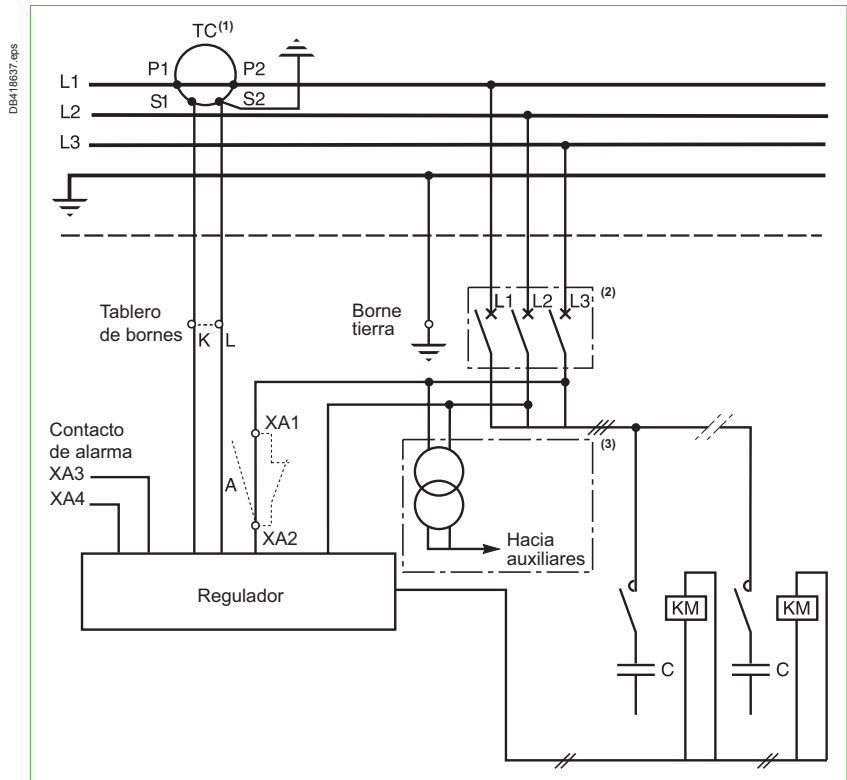
S/N :
CE
Made in Spain

Schneider Electric

Constitución de los equipos

Tipo	Interruptor automático en cabecera	Esquema eléctrico
VLVATJ, VLVAW0L, VLVAW1L, VLVAW2L, VLVAF3L, VLVAF5L	con / sin	

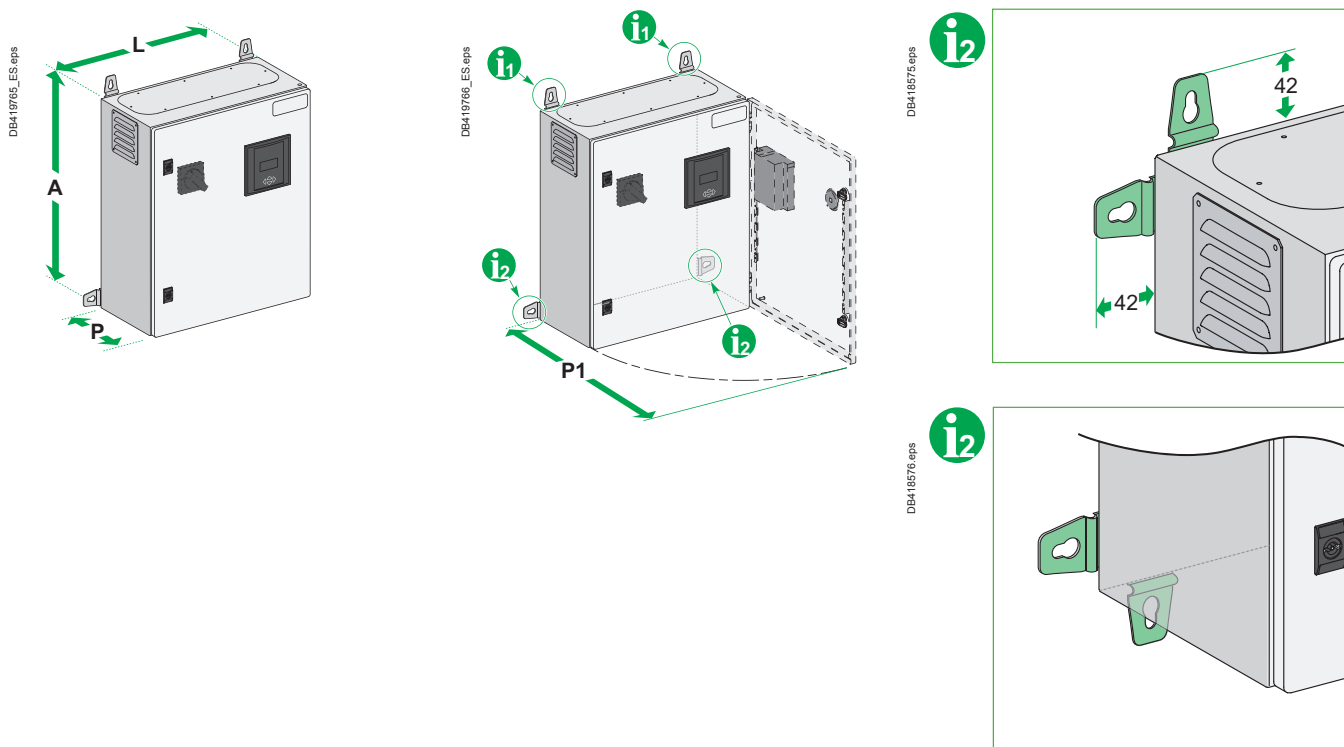
Esquema eléctrico



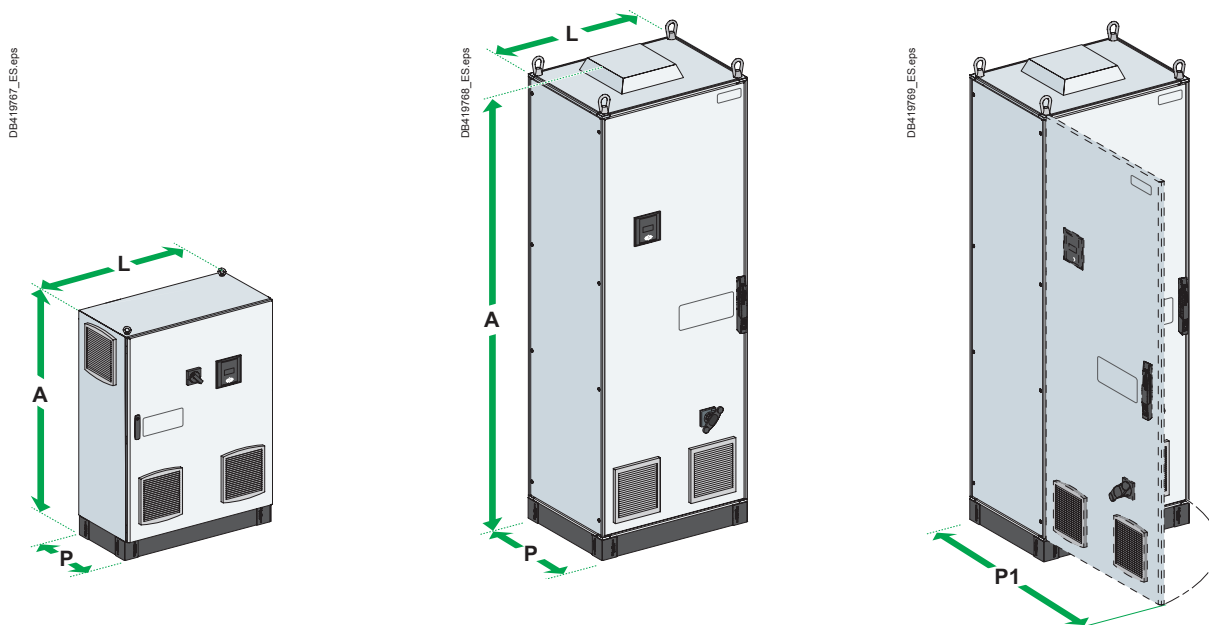
- (1) Solo se suministra con los equipos con referencia VLVATJ (consulte a Schneider Electric si desea recibir un transformador de intensidad).
- (2) Para variante con interruptor automático de entrada.
- (3) Para variante con transformador.

Dimensiones y pesos de los equipos

Cofrets VLVATJ, VLVAW0L, VLVAW1L y VLVAW2L



Armarios VLVAF3L y VLVAF5L



Dimensiones (mm) y peso máximo (kg)

Tipo	Cofret					Armario	
	VLVATJ (10 a 50 kVAR)	VLVATJ (60 a 90 kVAR)	VLVAW0L	VLVAW1L	VLVAW2L	VLVAF3L	VLVAF5L
A	600	700	600	800	1000/1200 ⁽¹⁾	1100	2200
L	500	500	500	600	800	800	800
P	250	250	250	250	300	400	600
P1	735	735	735	830	1080	1175	1361
Peso	36	45	36	58	95/100 ⁽¹⁾	140	340

⁽¹⁾ Con zócalo.

Características de los locales de instalación

Características generales

- Temperaturas :
 - temperatura máxima : 45 °C
 - temperatura media durante 24 h : 35 °C
 - temperatura mínima : -5 °C.
- Ventilación : colocar el equipo en un local ventilado.
- IP31
- Contaminación : grado de contaminación 2 (IEC 61010-1).
- Humedad ≤ 95 %.
- Altitud ≤ 2000 m.

⚠ ⚠ PELIGRO

RIESGO DE CHOQUE ELÉCTRICO, DE EXPLOSIÓN O DE ARCO ELÉCTRICO

- No instalar el equipo en un entorno sucio o polvoriento, independientemente del tipo o naturaleza de la suciedad o polvo.
- No instalar el equipo en zonas donde puedan producirse riesgos de escape de fluidos (paso de canalizaciones cerca del equipo...).
- No instalar el equipo en una zona clasificada ATEX (atmósfera explosiva).

Si no se siguen estas instrucciones, provocará la muerte o lesiones graves.

⚠ ADVERTENCIA

RIESGO DE CALENTAMIENTO DENTRO DEL EQUIPO

No instalar el equipo en una superficie/pared o suelo con riesgo de calentarse (infracables, resistencias calefactoras, tubos de calefacción para fluidos termoportadores).

Si no se siguen estas instrucciones, puede provocar la muerte, lesiones graves o daños en el equipo.

Límites de funcionamiento

- Uso interior exclusivamente.
- Alimentación :
 - fluctuaciones de la tensión de la red de alimentación : -10 % hasta +10 % de la tensión nominal
 - sobretensiones transitorias para la red de alimentación : categoría de instalación III (IEC 61010-1)
 - distorsión y armónica : NLL (Non Linéar Load) ≤ 15 %.

Limpieza

- El emplazamiento dedicado a la instalación del equipo debe estar limpio.
- Dado que el equipo es muy sensible al polvo, la aplicación en el suelo de una pintura antipolvo es recomendable para limitar el riesgo de sedimentación de polvo dentro del equipo.

Otras condiciones de uso

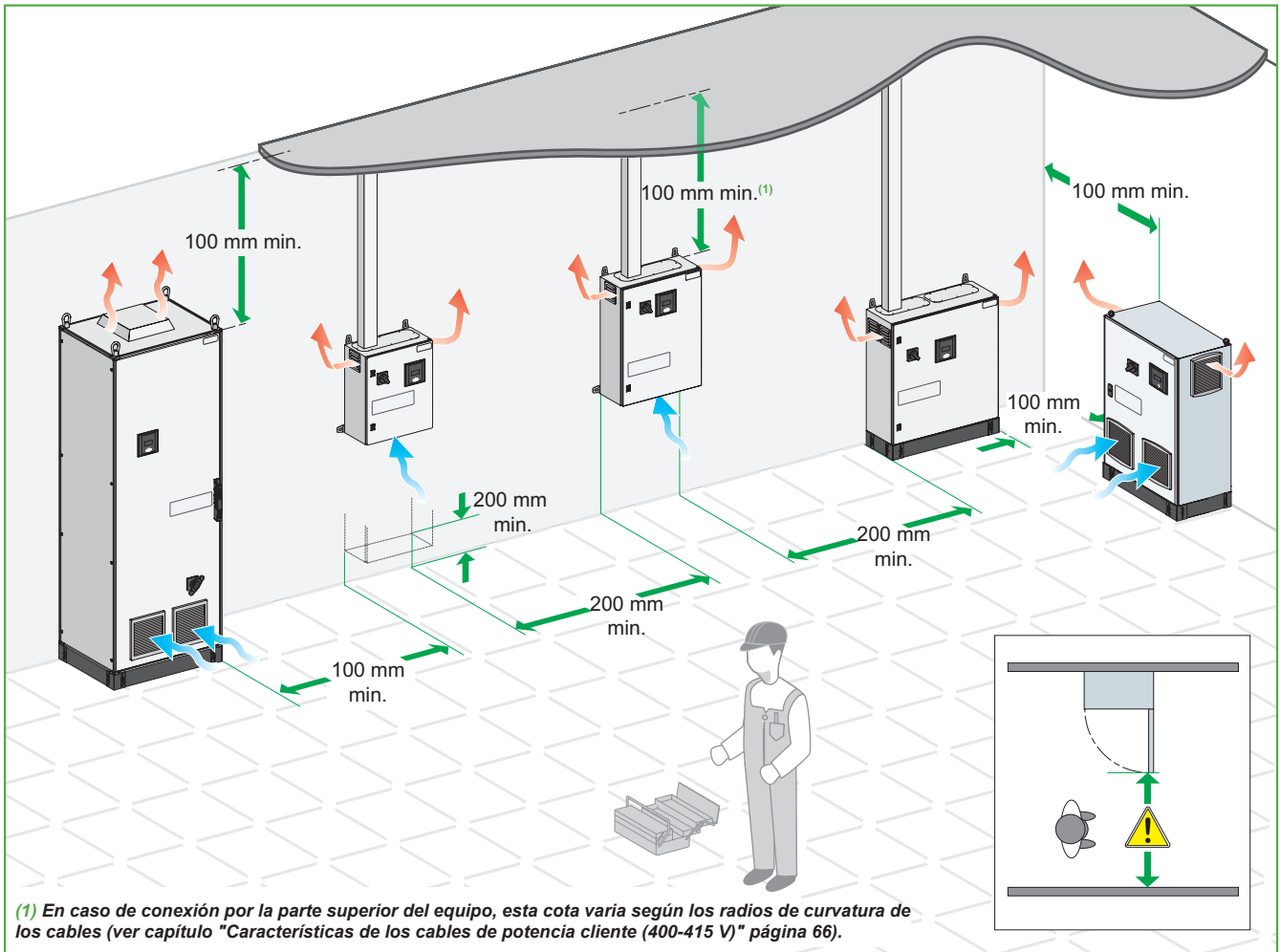
Para toda instalación fuera de estas características, consultar Schneider Electric.

Características de los locales de instalación

Reserva de espacio alrededor del equipo

Prever :

- un espacio necesario para una ventilación correcta de los equipos
- un espacio suficiente para permitir la entrada de los cables de potencia y auxiliares
- un espacio suficiente alrededor del equipo para las futuras extensiones
- un espacio suficiente para permitir el mantenimiento
- un espacio suficiente para permitir la apertura de las puertas
- un espacio libre cerca de las entradas y salidas de aire.



⚠ ADVERTENCIA

RIESGO DE CALENTAMIENTO DENTRO DEL EQUIPO

- Respetar las distancias de espacio mínimas especificadas alrededor de las entradas y salidas de ventilación.
- Espaciar de 200 mm mínimo 2 salidas de ventilación situadas frente a frente.
- No colocar ninguna fuente de calor enfrente de una entrada de ventilación.

Si no se siguen estas instrucciones, puede provocar la muerte, lesiones graves o daños en el equipo.

⚠ ADVERTENCIA

RIESGO DE OBSTRUCCIÓN DE LAS VÍAS DE EVACUACIÓN

Respetar las distancias de seguridad para permitir el paso en caso de evacuación de los locales, conforme a la reglamentación aplicable.

Si no se siguen estas instrucciones, puede provocar la muerte, lesiones graves o daños en el equipo.

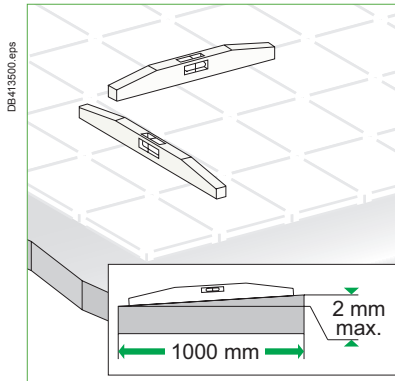
Características de los locales de instalación

Características de los suelos y de las paredes

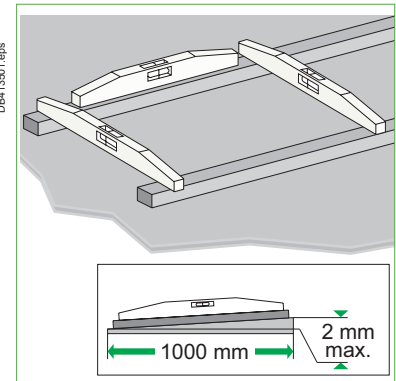
El suelo y la pared deben tener una planicidad correcta. La tolerancia aceptada es de ± 2 mm/m. En el caso contrario, utilizar soportes perfilados U,T, I verificando la rectitud y el nivel conseguidos en los 2 ejes.

Preparación de los suelos y de las paredes

Planicidad y horizontalidad de los suelos

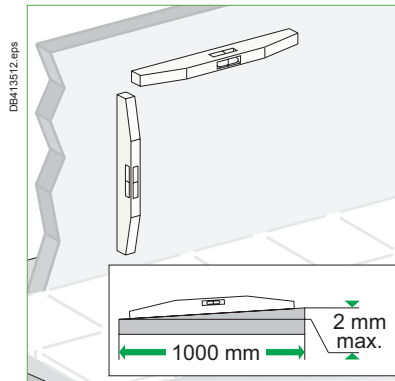


Control de nivel.

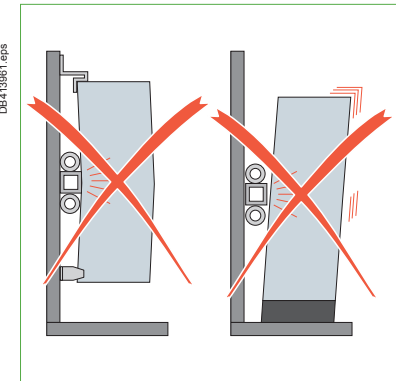


Control de nivel.

Planicidad de las paredes

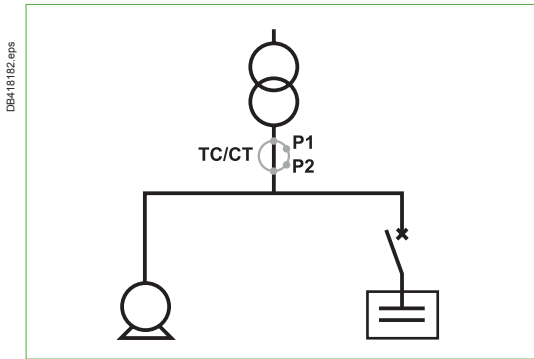


Control de nivel.



Ningún elemento debe empujar contra la parte de atrás del equipo.



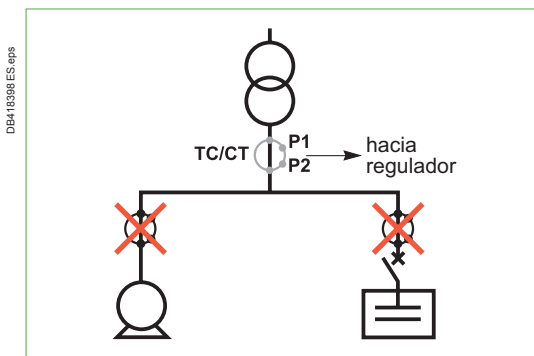


Protección aguas arriba del equipo

Protección aguas arriba del equipo

Debe proteger su equipo aguas arriba con un dispositivo de protección adecuado y equipo especializado, respetando las reglas de filiación. Este dispositivo le permitirá :

- consignar su equipo
- proteger su instalación desde el cuadro principal hasta su equipo



Emplazamiento del TI en el circuito de potencia.

Corriente medida para la compensación automática

Características del transformador de corriente

- Asegurarse que su secundario sea de 5 A.
- Asegurarse que la potencia sea superior a 10 VA.
- Asegurarse que la clase del TI sea de c11.

Emplazamiento del transformador de corriente

- Instalar el TI imperativamente aguas arriba del equipo y de los receptores (motores...); ver esquema contiguo.

No realizar derivación

El transformador de corriente debe ser dedicado (uso exclusivo) al equipo.

- Riesgo de envío de informaciones incorrectas al nivel del regulador.
- Riesgo de pérdida de beneficio del uso del equipo.

Toma de tierra secundaria del transformador de intensidad

El transformador de intensidad debe conectarse a una toma de tierra. Consultar las instrucciones del fabricante para garantizar una correcta instalación.



Características de los cables cliente

Características de los cables de potencia cliente (400-415 V)

Tipo de cables recomendados : 1000 V, 105 °C.

Los cables deben estar dimensionados para una corriente de 1,5 In mínimo.

Las secciones provistas en los cuadros se indican a título informativo.

No tienen en cuenta :

- las longitudes a implementar
- el modo de instalación : conducto o paso de cables
- la temperatura ambiente alrededor del conductor.

▲ ADVERTENCIA

RIESGO DE PERDIDA DE AISLAMIENTO Y DE CORTOCIRCUITO
Dimensionar los cables de potencia según las normas IEC 60439-1 y IEC 61921.

Si no se siguen estas instrucciones, puede provocar la muerte, lesiones graves o daños en el equipo.

Secciones recomendadas para los cables de potencia, conexión cliente

Fq Hz	Frecuencia de sintonía	Potencia	Corriente de dimensionado de los cables (1,5 In)	Sección mínima de conexión		Capacidad de conexión máxima ⁽¹⁾	
		Q (kvar)	A	mm ²	n° de cables	mm ²	n° de cables
Sin frecuencia sintonía							
Cofrets							
50	No aplicable	7,5	16	2,5	1	25 70 ⁽²⁾	1
		15	32	6	1		
		17,5	38	10	1		
		20	43	10	1		
		25	54	16	1		
		30	65	25	1		
		37,5	81	25	1	120 70 ⁽²⁾	2 1 ⁽²⁾
		45	97	35	1		
		50	108	35	1		
		60	130	50	1		
		70	152	70	1		
		75	162	70	1		
		82,5	179	95 70 ⁽²⁾	1	240	2
		90	195	95 70 ⁽²⁾	1		
		100	217	95	1		
		125	271	150	1		
150	325	185	1				
175	379	240	1				
200	433	150	2				
Armario							
50	No aplicable	225	487	150	2	240	2
		250	541	185	2		
		275	595	185	2		
		300	650	240	2		
		350	758	240	2	240	4
		400	866	185	3		
		450	974	185	3		
		500	1083	240	3		
		550	1191	240	3		
		600	1299	240	3		

(1) Según los accesorios de conexión.

(2) Tarif jaune.

Características de los cables cliente

Características del conductor de protección de tierra

⚠ ADVERTENCIA
<p>RIESGO DE PÉRDIDA DE AISLAMIENTO Y DE CORTOCIRCUITO Dimensionar la sección del conductor de protección de tierra según la norma IEC 60364-5-54.</p> <p>Si no se siguen estas instrucciones, puede provocar la muerte, lesiones graves o daños en el equipo.</p>

La sección del cable debe tener en cuenta el dispositivo de conexión en el equipo.

Características de los cables auxiliares

Tipo de cables recomendados : 1000 V, 105 °C.

Los valores se indican a título informativo ; es conveniente adaptar la sección según el entorno, la longitud de los cables.

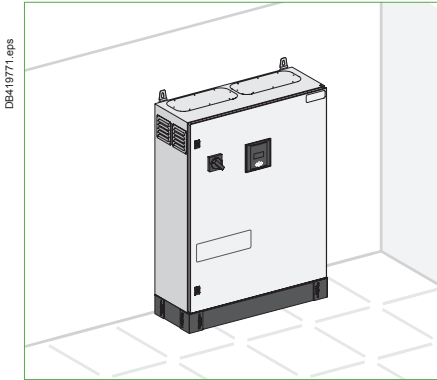
Material	Sección mm ²	Sección máximo mm ²	n° de bornes	n° de conductores por borne (Hilo flexible/rígido)
Transformador de corriente	2,5	4	2	1
Protección de los auxiliares en versión sin transformador de corriente	2,5	2,5	2	1
Grupo electrógeno	1	2,5	2	1
Alarma regulador	1	2,5	2	1
Mando cos φ2	0,6	1	2	1

Para todas otras secciones a implementar, consultar los servicios de Schneider Electric.

Material a prever para conectar el módulo de comunicación

No incluido en el equipo.

■ Cable recomendado: Belden 3106A blindado AWG22 3 filamentos.



Cofret VLVAV2L con opción zócalo.

Instalación al suelo

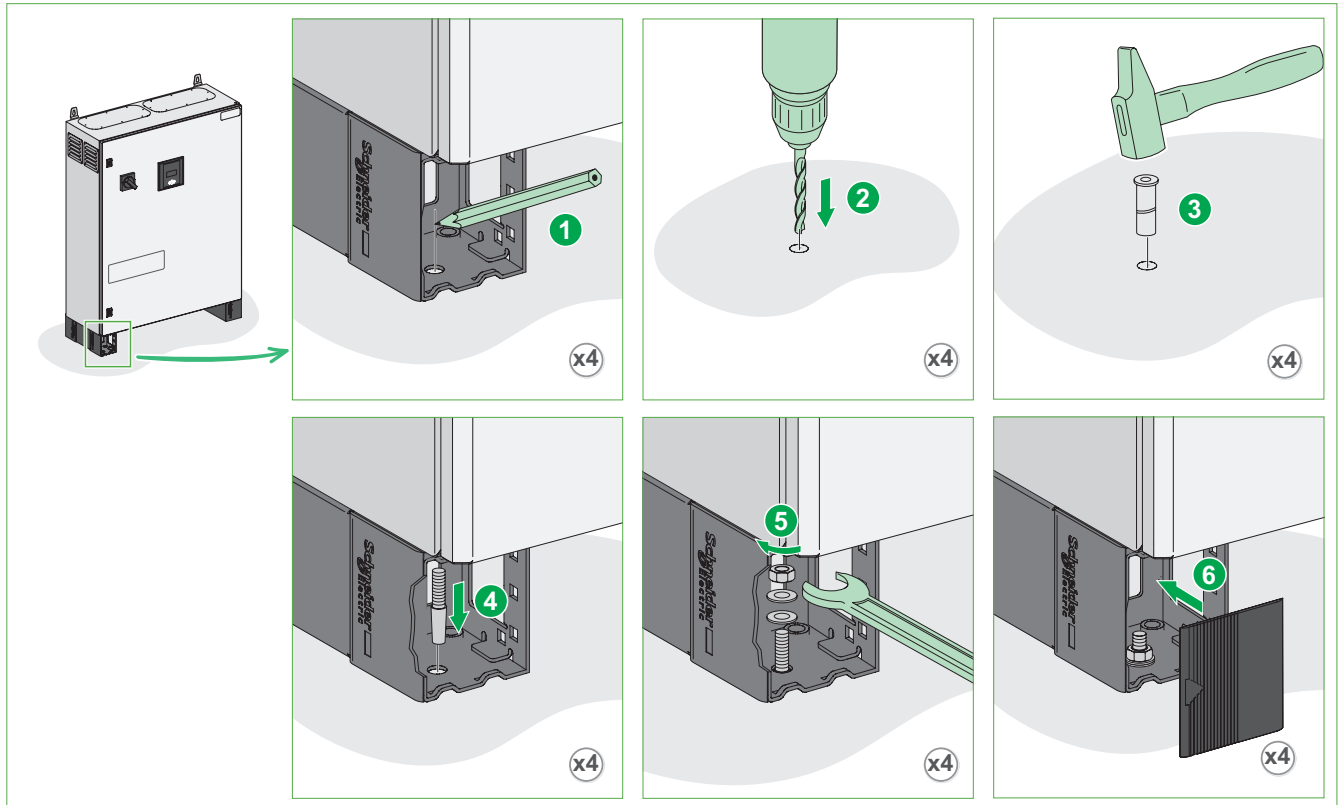
⚠ ADVERTENCIA

RIESGO DE BALANCEO DEL COFRET

- Fijar el equipo utilizando los puntos de fijación indicados.
- Utilizar fijaciones adaptadas a la naturaleza del soporte y al peso del equipo.

Si no se siguen estas instrucciones, puede provocar la muerte, lesiones graves o daños en el equipo.

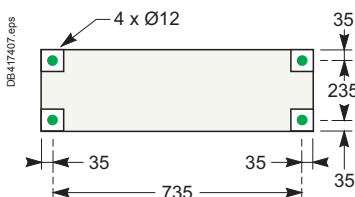
- Coloque el equipo en la ubicación elegida.
- Desenganche las protecciones de los ángulos de la base.
- Marque los puntos de fijación; consulte las dimensiones a continuación.
- Retire el equipo.
- Taladre el suelo y coloque el elemento de fijación (se recomiendan tornillos de 12 mm).
- Coloque el equipo en su ubicación y apriete los tornillos de montaje.



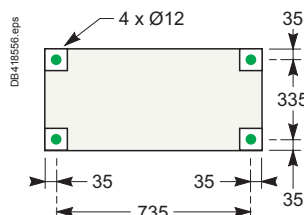
Localización de los puntos de fijación al suelo

Cotas de fijación al suelo (mm)

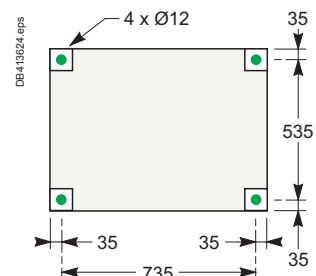
VLVAV2L (con opción zócalo)

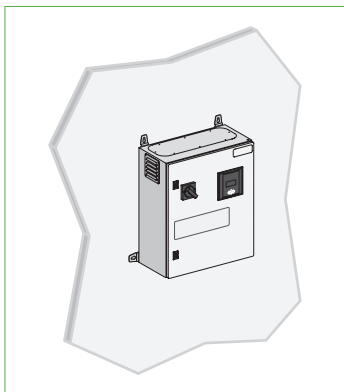


VLVAF3L



VLVAF5L





Cofrets VLVAW0L, VLVAW1L y VLVAW2L.

Instalación en la pared

⚠ ADVERTENCIA

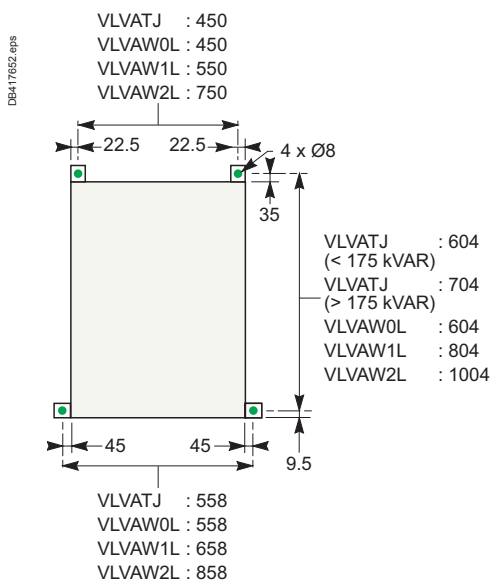
RIESGO DE CAÍDA DEL COFRET

- Fijar el equipo utilizando los puntos de fijación indicados abajo.
 - Utilizar fijaciones adaptadas a la naturaleza del soporte y al peso del equipo (ver Dimensiones y pesos de los equipos en la página 61).
- Si no se siguen estas instrucciones, puede provocar la muerte, lesiones graves o daños en el equipo.**

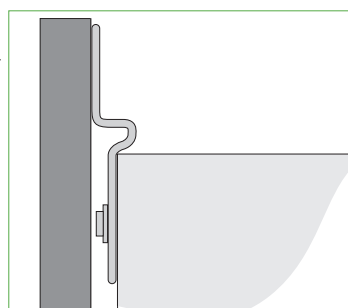
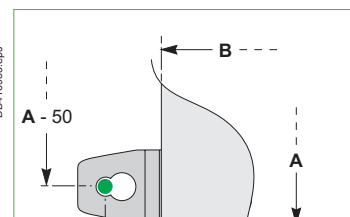
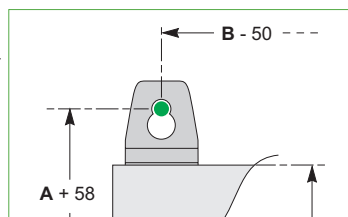
- Coloque el equipo en la ubicación elegida.
- Marque los puntos de fijación; consulte las dimensiones a continuación.
- Retire el equipo.
- Taladre la pared y coloque el elemento de fijación (se recomiendan tornillos de 12 mm).
- Coloque el equipo en su ubicación y apriete los tornillos de montaje.

Cotas de fijación en la pared (mm)

VLVATJ, VLVAW0L, VLVAW1L y VLVAW2L



Detalle de las patas de fijación



Leyenda :

- Posición del tornillo.

Preparación de los cables para la conexión

⚠️ PELIGRO

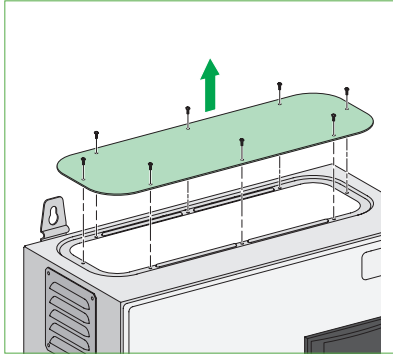
RIESGO DE CHOQUE ELÉCTRICO, DE EXPLOSIÓN O DE ARCO ELÉCTRICO

Dejarse fuera del cofret o del armario durante la perforación para evitar caída de virutas dentro de los equipos.

Si no se siguen estas instrucciones, provocará la muerte o lesiones graves.

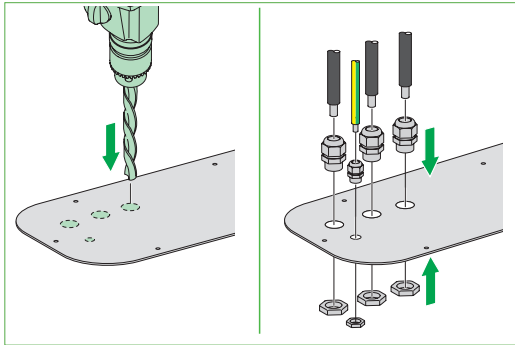
Para los equipos VLVAW0L, VLVAW1L, VLVAW2L y VLVAW2J

- Sacar la placa pasacables.



DB419774.eps

Retirada de la placa pasacables (ejemplo de llegada por la parte superior).



DB418577.eps

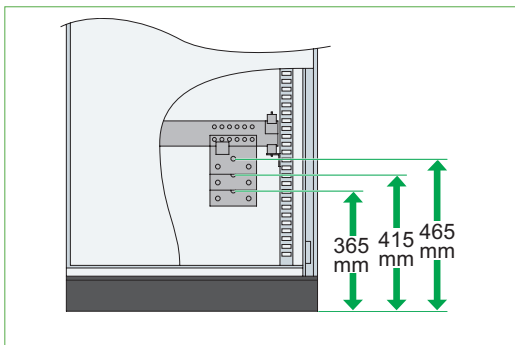
Perforación de la placa pasacables, paso de los cables y colocación de las prensaestopas.

- Utilizar un taladro para realizar los agujeros para permitir el paso :
 - de los cables de potencia
 - de los 2 hilos del transformador de corriente
 - del cable de tierra.

- Pasar los cables a través de la placa al colocar prensaestopas (no suministradas) de resultado equivalente al índice de protección del equipo.

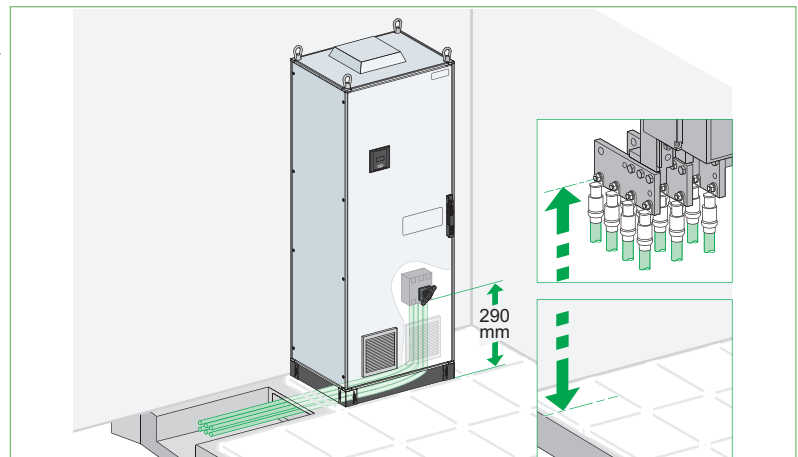
Para los equipos VLVAF3L y VLVAF5L

- Para los equipos VLVAF3L y VLVAF5L (conexión por la parte inferior), debe tenerse en cuenta la altura de las conexiones para obtener un radio de curvatura correcto.



DB418636.eps

Conexión con intervalos de cobre.

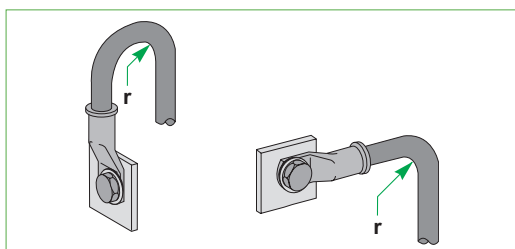


DB419775.eps

Implementación los cables

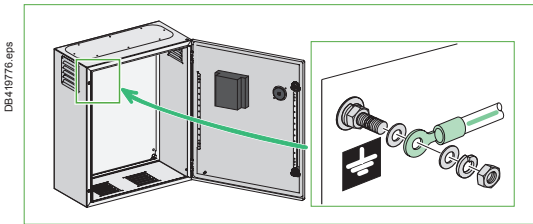
Las normas recomiendan un radio de curvatura desde 6 hasta 8 veces el diámetro.

Referirse al radio de curvatura dado por el proveedor de cables.



DB413610.eps

Radio de curvatura.

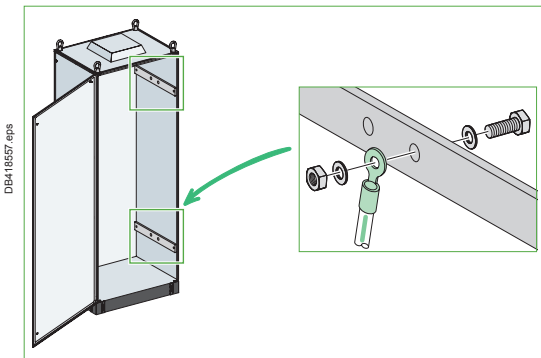


Conexión con pasadores de tierra.

Conexión a tierra

Para los equipos **VLVAW0L, VLVAW1L, VLVAW2L, VLVATJ y VLVAF3L**

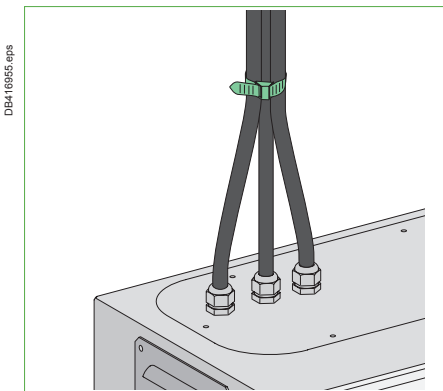
- Realizar la conexión utilizando un cable de sección apropiado ; ver párrafo "Características de los cables cliente" página 66 para la sección de los cables de protección.
- La conexión se hace con una tuerca con arandela de contacto.
- Aplicar un par de apriete de : $5 \pm 0,5$ N.m para los pasadores.



Conexión con barra de tierra.

Para los equipos VLVAF5L

- Desatornillar el tapón situado en los pasadores de tierra.
- Realizar la conexión utilizando un cable de sección apropiado ; ver párrafo "Características de los cables cliente" página 66 para la sección de los cables de protección.
- La conexión se hace con una tuerca con arandela de contacto.
- Aplicar un par de apriete de : 75 N.m (tornillo M12 clase 8-8) por una barra de tierra.



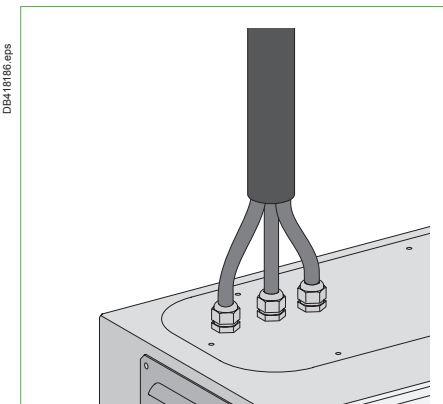
Ensamblaje de los cables.

Conexión de los cables de potencia cliente

⚠️ ⚠️ PELIGRO

RIESGO DE CHOQUE ELÉCTRICO, DE EXPLOSIÓN O DE ARCO ELÉCTRICO

- Ver cuadro de sección de los cables de potencia.
 - Referirse al manual del interruptor automático de protección suministrado con su equipo para el tipo de conexión a realizar (terminal, contera).
 - Conectar los cables con las arandelas y los tuercas-tornillos.
 - Respetar los pares de apriete.
- Si no se siguen estas instrucciones, provocará la muerte o lesiones graves.**

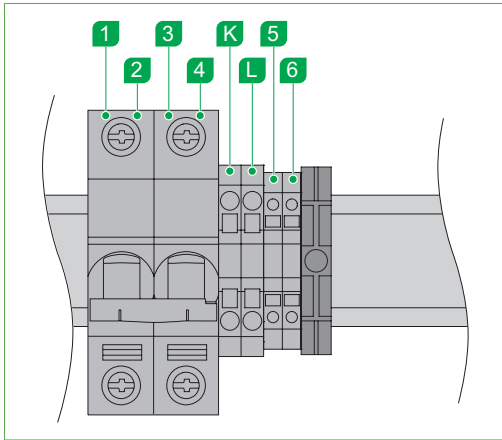


Fijación de los cables trenzados.

- Atornillar los terminales de conexión en los bornes.
- El orden de las fases L1, L2, L3 debe corresponder al orden de las fases en el regletero o en el aparato de protección del equipo.
- Apriete la tornillería al par especificado según el tipo de conexión (consulte el manual para obtener información sobre el disyuntor de entrada o el accesorio).
- Marcar la conexión con un barniz adaptado.
- Ensamblar los cables y los mantenimientos colocando una abrazadera.

Tipo de disyuntor de protección

Equipos	Protección de entrada
VLVAW0L	Acti9 iC60 CVS100F
VLVAW1L	CVS160F CVS250F
VLVAW2L	CVS400F CVS630F
VLVAF3L	CVS630F
VLVAF5L	NS800N NS1000N NS1250N



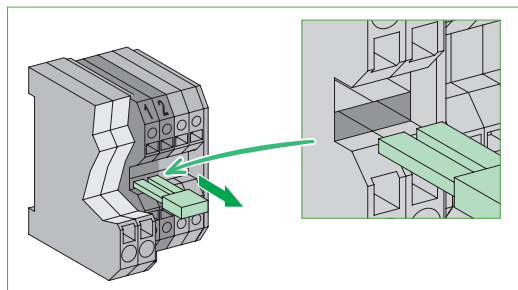
Designación de los bornes.

Conexiones auxiliares

- Para los equipos VLVAW0L, VLVAW1L, VLVAW2L, VLVATJ y VLVAF3L, la conexión auxiliar (K, L, 1, 2, 3, 4) se encuentra en la parte superior interior de la envolvente.
- Para los equipos de caja VLVAF5L, la conexión auxiliar (K, L, 1, 2, 3, 4) se encuentra en la parte inferior izquierda en el interior del armario.

Equipos	Entrada señal de intensidad (TI)	Grupo electrógeno	Protección controlador
Características			
	Entrada de corriente 5 A Potencia 5 V AC	Entrada de corriente secundaria 415 V, y 50 mA	Toma de corriente secundaria, contacto NF, presencia de alarma = contacto cerrado 2 A / 250 V AC
VLVAW0L / VLVAW1L / VLVAW2L / VLVAF3L / VLVAF5L	K L	1 2	3 4

Consultar el párrafo "Características de los cables auxiliares", page 67 para la sección de los cables auxiliares.



Retirada del elemento de unión del regletero de conexión del grupo electrógeno.

Conexión con un grupo electrógeno

ADVERTENCIA

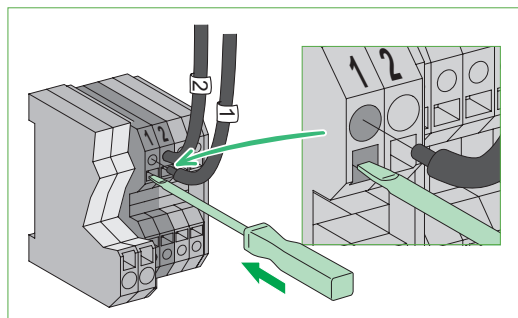
RIESGO DE DEGRADACIÓN DEL RENDIMIENTO DEL SISTEMA
Es importante desconectar la batería de condensadores cuando el grupo electrógeno está en funcionamiento.
El incumplimiento de estas instrucciones impedirá que el grupo electrógeno arranque y provocará la pérdida de suministro de corriente.

Cuando se enciende el grupo electrógeno, este recibe una señal de parada desde la batería de condensadores a través de la apertura de un contacto. Dicho contacto debe estar conectado a los terminales Xa1 y Xa2.

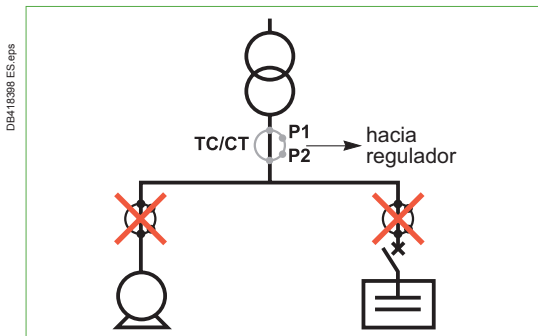
Sacar el elemento de unión.

Conectar los 2 hilos del grupo electrógeno a los bornes 1 y 2.

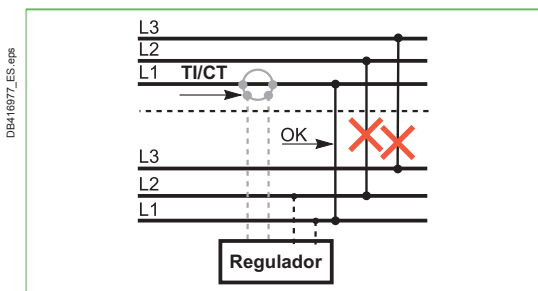
Al arrancar el grupo electrógeno, la alimentación del regletero está cortada, la batería para de funcionar.



Conexión del grupo electrógeno.



Emplazamiento del TI en el circuito de potencia.



Conexión del TI.

Para la compensación automática únicamente.

Instalación del transformador de corriente (TI) en la red

- Instalar imperativamente el TI aguas arriba del equipo y de los receptores (motores...); ver esquema contiguo.

Conexión del transformador de corriente

- Conectar el borne P1 al borne K del regletero y el borne P2 al borne L del regletero.

Para más informaciones, referirse a la documentación del TI (no suministrada por Schneider Electric, apagado VLVATJ referencia).

- Sacar el elemento de unión después de conectar el TI al regletero, ver más abajo.

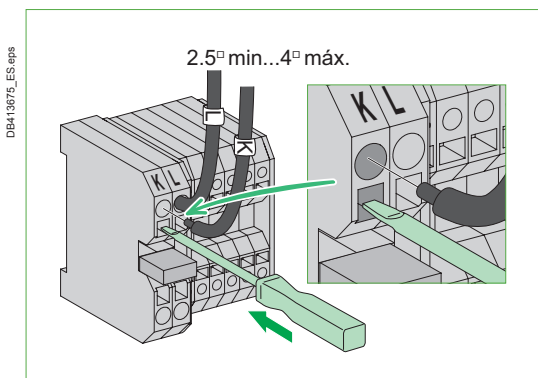
En caso de intervención en el circuito secundario del TI, conservar el elemento de unión Schneider Electric, ref. AB1RRAL42.

El transformador de corriente debe estar colocado en la fase 1 del circuito de potencia.

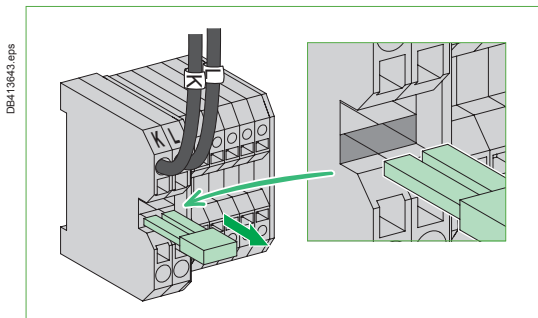
El circuito secundario del transformador de intensidad debe estar conectado a tierra.

Conexión del transformador de corriente (TI) al regulador

El objetivo es de conectar el regulador a la medida de corriente de la red cliente.



Conexión de un TI.



Retirada del elemento de unión en el regletero de conexión del TI.

⚠️ PELIGRO

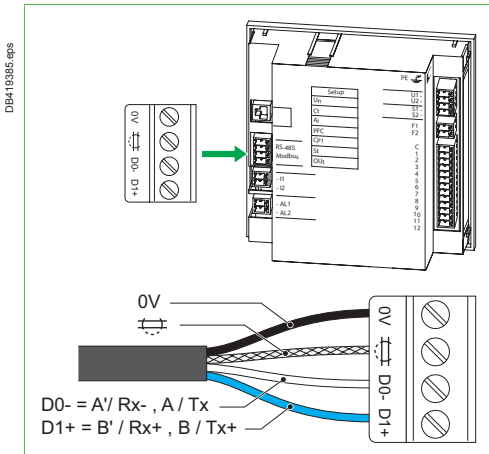
RIESGO DE CHOQUE ELÉCTRICO, DE EXPLOSIÓN O DE ARCO ELÉCTRICO

- Nunca abrir el circuito secundario de un transformador de corriente cuando el circuito primario está en tensión.
 - Antes de cada intervención en el circuito secundario, los bornes secundarios del transformador de corriente deben estar puestas en cortocircuito al usar el elemento de unión Schneider Electric ref. AB1RRAL42.
- Si no se siguen estas instrucciones, provocará la muerte o lesiones graves.**

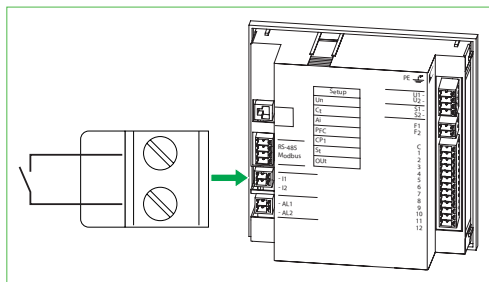
No realizar ninguna derivación

El transformado de corriente debe ser dedicado al equipo.

- Riesgo de envío de informaciones incorrectas al nivel del regulador.
- Riesgo de pérdidas de beneficio del uso del equipo.



Conexión del módulo.



Conexión de la comunicación

Material a prever (no incluido en el equipo)

- Cable recomendado: Belden 3106A blindado AWG22 3 filamentos.

Conexión al regulador

- Orden de las fichas:
 - 0V comunicación
 - Blindaje de la comunicación (No hay conexión interna con el 0 V ni con la tierra del controlador)
 - Señal D0-
 - Señal D1+
- Tensión de aislamiento 1,3 kV
- Sección de cable: 0,2 a 1 mm² (30-19 AWG)
- Cable recomendado: Belden 3106A blindado AWG22 3 filamentos
- Par de apriete 0,5 a 5 Nm.

Consultar la documentación del module de comunicación Modbus VL6/12 7EN02-0376.

Conexión de la función cosino ϕ 2

- Características:
 - Entrada auto alimentada (5 V - 10 mA) para contact seco NA o NC
 - El estado se puede parametrizar en el controlador, por defecto esta en NO
 - contacto abierto: cosino ϕ 1
 - contacto cerrado: cosino ϕ 2.
- Sección de cable de 0,2 a 1 mm², longitud maximal 100 m. Para una longitud superior a 50 m, utilizar una sección 0.6 mm² por lo menos.

Instalación del cable de comunicación o cos ϕ 2 en el interior de la batería.

Desde la placa pasacables y siguiendo la manguera del cableado de control, ir hacia el regulador.

Ver § Preparación de los cables para la conexión de la página 70.

El cable deberá cumplir las distancias de aislamiento y líneas de fuga en el interior de la batería.

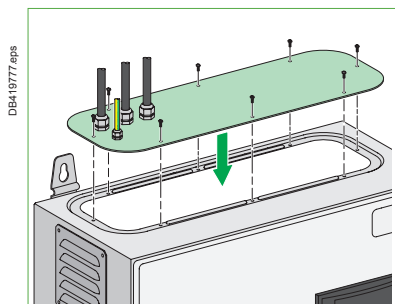
Dependiendo del equipo suministrado utilizar bases adhesivas para bridas con el fin de sujetar el cable hasta la manguera de los cables de control. Sujete el cable, junto a la manguera del cableado de control, utilizando las bridas que considere necesarias.

Coloque las bridas a intervalos regulares, el cable no debe de quedar suelto.

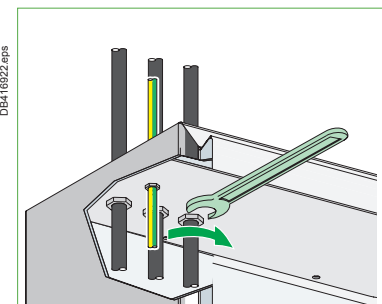
El cable no debe interferir con la apertura de la puerta, ni debe de ser presionado al cerrarse la misma.

Últimas operaciones después de realizar las conexiones

- Volver a colocar la placa pasacables para las conexiones por la parte superior o inferior.
- Atornillar las prensaestopas.



Colocación de la placa pasacables (ejemplo de llegada por la parte superior).



Atornillamiento de las prensaestopas.

Controles preliminares

PELIGRO

RIESGO DE CHOQUE ELÉCTRICO, DE EXPLOSIÓN O DE ARCO ELÉCTRICO

- Cada intervención debe estar realizada por un personal electricista cualificado y habilitado.
 - El equipo debe estar colocado fuera de tensión antes de limpieza.
- Si no se siguen estas instrucciones, provocará la muerte o lesiones graves.**

Limpieza

Antes de proceder a su puesta en servicio y para garantizar las distancias de aislamiento y las líneas de fuga, el equipo no debe tener polvo o restos introducidos durante la instalación. Controlar en particular los filtros, las rejillas de ventilación, los juegos de barras y sus soportes así que las conexiones eléctricas.

El espacio alrededor del equipo tampoco debe tener acumulaciones de polvo o partículas finas.

- Utilizar una aspiradora para realizar esta limpieza.
- Nunca limpiar con aire comprimido para evitar el desplazamiento de las suciedades hacia otras superficies.
- Utilizar trapos secos.

Verificaciones

- Verificar la ausencia de todo objeto extraño en el equipo (herramientas, ...).
- Verificar la integridad de la protección de los cables de potencia aguas arriba y abajo de la instalación.
- Verificar la integridad del conductor de protección de tierra y su conexión.
- Verificar los pares de apriete.
- Controlar la implementación del transformador de corriente : el posicionamiento en la fase 1, las fijaciones mecánicas y las conexiones eléctricas.
- Verificar la configuración de la red de comunicación : resistencia de polarización, resistencia de fin de línea.

Puesta en tensión

PELIGRO

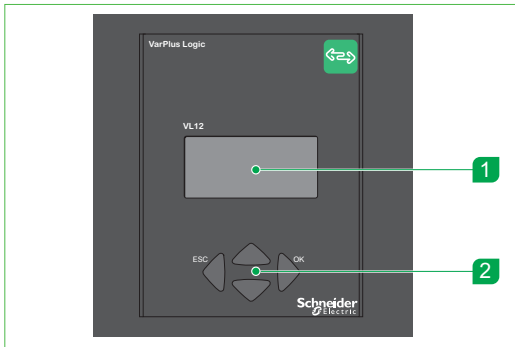
RIESGO DE CHOQUE ELÉCTRICO, DE EXPLOSIÓN O DE ARCO ELÉCTRICO

- Cada intervención debe estar realizada por un personal electricista cualificado y habilitado.
 - Respetar el plazo de 50 s después de la puesta fuera tensión antes de cada intervención sobre el equipo (duración necesaria a la descarga de los condensadores).
 - El regulador no es un dispositivo de seguridad ; no permite la verificación de la ausencia de tensión.
 - El equipo debe estar colocado fuera de tensión antes de cada operación de instalación o de mantenimiento.
- Si no se siguen estas instrucciones, provocará la muerte o lesiones graves.**

Verificaciones en explotación

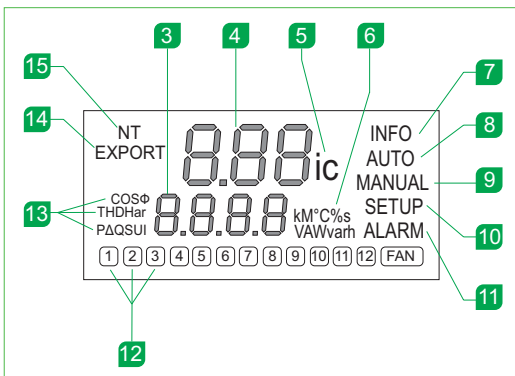
- En caso de intervención, verificar obligatoriamente la ausencia de tensión. El regulador no permite verificar la ausencia de tensión.
- Verificar las maniobras intempestivas provocadas por el regulador. Definir un umbral del número de reconexiones de un mismo escalón, mínimo 50 segundas; valor predefinido en el regulador.
- En caso de funcionamiento a plena carga, verificar la conexión correcta de los escalones.
- Tras unas horas de funcionamiento, calcular la evolución de temperatura del local.

DB419376.eps



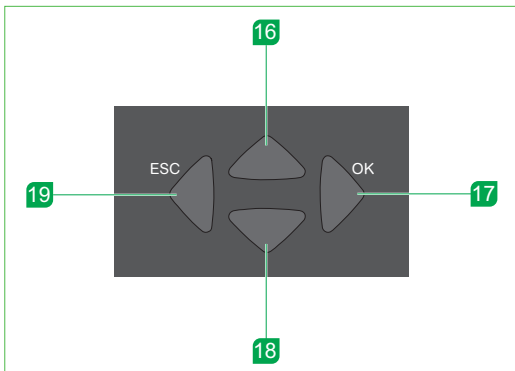
Vista exterior del regulador NRC12

DB419377.eps



Pantalla

DB419378.eps



Teclas de navegación



Para las acciones de controlador, consulte las instrucciones suministradas con el producto.

⚠ PELIGRO

RIESGO DE CHOQUE ELÉCTRICO, DE EXPLOSIÓN O DE ARCO ELÉCTRICO

Nunca reducir el tiempo desconexión de los escalones jebajo de 50 segundos

Si no se siguen estas instrucciones, provocará la muerte o lesiones graves.

AVISO

RIESGO DE DEGRADACIÓN DE RESULTADOS DEL EQUIPO

El regulador está configurado de fábrica para un funcionamiento normal y óptimo. Cualquier modificación de esta configuración se realizará bajo responsabilidad del usuario.

El incumplimiento de estas instrucciones impedirá la pérdida total o parcial del equipo y la no disponibilidad de la instalación.

Aunque el regulador instalado en su batería VarSet este configurado en fabrica para funcionar correctamente con el equipo, quedan los siguientes parámetros a configurar:

- el valor de consigna del parametro de coseno ϕ
- el valor de ratio de sobrecarga en corriente (permite la correcta visualización de los valores medidos).

Nota: Para mas informaciones sobre el regulador, referirse a las instrucciones des aparato suministrado con el material.

Importante

- En caso de alimentación a través de un IT sumador (instalación con varios transformadores de entrada), la relación a tener en cuenta es la suma de las relaciones de los diferentes IT.
- Para una instalación equipada con un grupo electrógeno, es necesario poner en marcha la batería antes de bascular al grupo, cortando la alimentación del regulador.

- | | |
|--|---|
| <p>1 Pantalla</p> <p>2 Teclas de navegación</p> <p>3 Pantalla digital de medición</p> <p>4 Factor de potencia total de desplazamiento (DPF)</p> <p>5 DPF inductivo o capacitivo (en retraso o en avance)</p> <p>6 Unidades de medida</p> <p>7 Información de paso</p> <p>8 Indica el modo automático</p> <p>9 Indica el modo de funcionamiento manual de los pasos</p> <p>10 Indica el modo del menú SETUP (configuración)</p> | <p>11 Si parpadea indica que la alarma se ha activado</p> <p>12 Cuando se activa, se ilumina el número de paso</p> <p>13 Medición mostrada</p> <p>14 Indica que se está exportando un flujo de potencia a la red</p> <p>15 Indica que se ha activado una previsión secundaria de DPF</p> <p>16 <ul style="list-style-type: none"> ■ Aumentar valores ■ Seleccionar elementos del menú </p> <p>17 <ul style="list-style-type: none"> ■ Abrir menú ■ Mover cursor a la derecha ■ Configuraciones </p> <p>18 <ul style="list-style-type: none"> ■ Reducir valores ■ Seleccionar elementos del menú </p> <p>19 <ul style="list-style-type: none"> ■ Salir del menú ■ Mover cursor a la izquierda </p> |
|--|---|

Puesta en servicio sencilla del controlador VarPlus Logic

Antes de configurar el regulador, asegurese de que el elemento de union en las bornas KL este quitado.

Vaya a SETUP 100:

1. Configure la relación del TI (Ct) y el $\cos \phi$ (CP1).
2. Si la pantalla del controlador muestra PFC OFF, configure el parámetro PFC en ON, antes de ejecutar la Ai.
3. Ejecute la autoinicialización (Ai) pulsando "Ai" de "OFF" a "ON".

La Ai detecta automáticamente los pasos del condensador conectados y comprueba si la conexión de fase (el ángulo entre la tensión y la posición del TI) es correcto. La secuencia de Ai activa y desactiva los pasos varias veces. Se tardará varios minutos en completar este proceso y, a continuación, el relé se estabilizará.

Durante esta secuencia, el controlador mostrará "Ai" en la pantalla.

Requisitos mínimos para ejecutar una Ai	Para lograr una detección de pasos de Ai correcta
<ul style="list-style-type: none"> ■ La tensión deberá estar en el intervalo de tolerancia ■ El TI deberá estar conectado ■ La protección de los condensadores deberá estar cerrada ■ La intensidad de entrada no es demasiado baja. 	<ul style="list-style-type: none"> ■ El dimensionamiento de la relación del TI deberá adecuarse a las dimensiones del transformador ■ La potencia del paso más pequeño no es excesivamente pequeña. ■ Nivel de carga suficiente cuando se ejecuta Ai ■ Pequeña variación de carga durante la secuencia de Ai.

Al final de la "Ai", el controlador se pondrá en modo "Auto".

Información de secuencia de Ai correcta	Secuencia de Ai incorrecta [error "Abrt" (anular)]
<ul style="list-style-type: none"> ■ Si se cambia el cableado de fase (y se cablea de forma incorrecta), el controlador corrige automáticamente el ángulo de fase de manera interna y cambia al modo normal. "Auto" aparecerá en pantalla. ■ Comprobación final de la detección de pasos: <ul style="list-style-type: none"> □ Vaya a SETUP 100 -> OUT -> abrir (flecha a la derecha) y compruebe que el estado de todos los pasos es correcto según la configuración de la batería de PFC (FIX OFF = paso no detectado; AUTO = paso detectado) □ Si fuera necesario, cambie el estado OUT al valor esperado. 	<ul style="list-style-type: none"> ■ Si la secuencia fuera incorrecta, vuelva a ejecutar la Ai. Si se anula otra vez la Ai, no se podrá detectar la conexión de fase (el ángulo entre la tensión y la posición del TI). El control se desplazará al modo desactivado de PFC, y la conexión de fase deberá realizarse manualmente. Consulte el manual del usuario.



Mensajes vizualizados por el regulador y soluciones

El diagnostico de un problema, durente la puesta en marcha del equipo, se puede hacer generalmente desde la pantalla del regulador.

- ALARM parpadea cuando hay una alarma.
- El menú de alarmas enumera las 5 últimas alarmas registradas.

Alarma	Causa	Solución
ALARMA AI/Abt	Autoinicialización anulada.	La autoinicialización puede anularse por variaciones de la carga o por señales de intensidad medida demasiado pequeñas.
ALARMA U	La tensión medida se encuentra fuera de la tolerancia de tensión.	Compruebe la configuración de la tensión nominal y del transformador de tensión.
ALARMA I LO	La intensidad medida es demasiado baja (el TI actual es < 15 mA).	Error de conexión del TI; no se ha quitado la conexión de cortocircuitos del TI; la relación del TI es demasiado alta en comparación con la intensidad real; no hay intensidad.
ALARMA I Hi	La intensidad medida es demasiado alta.	Carga demasiado elevada o selección incorrecta del TI.
ALARMA PFC	El controlador no puede alcanzar el $\cos \varphi$ previsto. Sobrecompensación o subcompensación.	Compruebe que todos los pasos están bien definidos y funcionan correctamente. Compruebe que el dimensionamiento de la batería de PFC es suficiente en comparación con los KVAR que precisa la carga.
ALARMA HAR	Se ha superado el límite de THD U. El controlador desconectará pasos para corregir la THD U.	Compruebe la instalación y verifique si se da un valor demasiado alto de la THD U o si hay una posible resonancia.
ALARMA Step/Flty (el paso no operativo está parpadeando)	Uno o varios pasos no están operativos (se detectan como no operativos después de conectar con el paso 3 veces sin obtener ninguna medida).	Compruebe la conexión de los pasos, la posición de los fusibles o los interruptores compactos (MCCB) y el estado del condensador.
ALARMA SPL/Nr	Uno o varios pasos se encuentran por debajo del 75 % de la potencia inicial.	Compruebe la configuración y la capacidad eléctrica del condensador.
ALARMA Thi	Se ha superado el límite de temperatura de alarma.	Compruebe los ventiladores y la temperatura ambiente.
ALARMA OPH	Se ha superado el límite establecido de horas de funcionamiento máximas admisibles.	Compruebe los interruptores/fusibles MCCB, los contactores y los condensadores que componen el paso. Compruebe el valor de capacidad eléctrica y sustituya los condensadores si la capacidad ha caído por debajo del límite de tolerancia.
ALARMA OPC/Nr	Se ha superado el límite establecido de ciclos de funcionamiento máximos admisibles.	Compruebe los interruptores/fusibles MCCB, los contactores y los condensadores que componen la batería de PFC. Compruebe el valor de capacidad eléctrica y sustituya los condensadores si la capacidad ha caído por debajo del límite de tolerancia.
ALARMA OL	Límite del ratio de sobrecarga en intensidad del condensador superado (basado en el cálculo de la THD U).	Compruebe la instalación y verifique si se da un valor demasiado alto de la THD U o si hay una posible resonancia.
ALARMA HU	Se ha detectado que uno o varios pasos se encuentran en modo de inestabilidad. El número de paso y el código de error parpadearán.	
Anomalía	Causa	Solución
No aparece la indicación AUTO	Los relés no conmutan.	En el menú SETUP/100, la selección de PFC es OFF o HOLD; no se ha configurado la relación del TI; la temperatura es demasiado elevada; la intensidad es <15 mA; la tensión, la THD U o el ratio de sobrecarga en intensidad están fuera del límite de tolerancia.
EXPORT	Exportación de kW	Si no hay una verdadera exportación de potencia activa (kW), compruebe las conexiones de intensidad y tensión del controlador.
Indicación incorrecta de $\cos \varphi$	El cableado no se corresponde con la configuración del controlador.	Compruebe las conexiones de intensidad y tensión del controlador.
Conmutación frecuente de los pasos	No se ha detectado completamente la potencia de los condensadores, o bien los condensadores están inutilizados.	Compruebe la potencia del condensador en el menú INFO.
Todos los pasos están configurados como "Fix off"	No se ha localizado o no se ha conectado correctamente el TI; no se ha quitado la conexión de cortocircuitos.	Compruebe la conexión y la posición del TI.

⚠️ PELIGRO

RIESGO DE CHOQUE ELÉCTRICO, DE EXPLOSIÓN O DE ARCO ELÉCTRICO

- Cada intervención debe estar realizada por un personal electricista cualificado y habilitado.
 - Respetar el plazo de 50 s después de la puesta fuera tensión antes de cada intervención sobre el equipo (duración necesaria a la descarga de los condensadores).
 - El regulador no es un dispositivo de seguridad ; no permite la verificación de la ausencia de tensión.
 - El equipo debe estar colocado fuera de tensión antes de cada operación de instalación o de mantenimiento.
- Si no se siguen estas instrucciones, provocará la muerte o lesiones graves.**

Para ayudarle a mantener el equipo en buenas condiciones, Schneider Electric recomienda que se lleven a cabo las operaciones de mantenimiento descritas a continuación.

Antes de realizar cualquier operación de mantenimiento:

- Verificar que las cargas (cargas no lineales, generadores de armónicos,...) no han cambiado desde la instalación de su equipo.
- Medir la temperatura, variaciones de tensiones y armónicos en la red eléctrica con las cargas reales en funcionamiento et durante un periodo de tiempo significativo.

Estas verificaciones son necesarias para identificar las evoluciones de su red y de su entorno operativo, para asegurar que su equipo sigue siendo adaptado a sus condiciones de uso.

En caso de detectar un cambio, contactar con Schneider Electric, para verificar que las condiciones de utilización de su equipo continúan siendo validas.



Plan de mantenimiento

	Periodicidad	Tensión		Nivel de mantenimiento
		con	sin	
Verificación de las condiciones de funcionamiento				
Evolución de las cargas en la red y control de la temperatura	1 año	■		2
Tensión y nivel de armónicos	1 año	■		3
Verificación de funcionamiento y medidas				
Reglajes del regulador e históricos de las alarmas.	1 año	■		1
Medida de la capacidad	1 año	■		3
Verificación de las conexiones eléctricas				
Verificación del par de apriete de los cables	Primera vez después de 1 mes y después 1 vez por año		■	2
<i>Nota: control visual solo sobre las conexiones marcadas con barniz rojo.</i>				
Inspecciones visuales				
Integridad de la envolvente	1 año		■	1
Limpieza	1 año		■	1
Estado de las conexiones de tierra	1 año		■	1
Reemplazo de los Componentes (en condiciones de funcionamiento normal)				
Condensadores + contactores @ 35°C (temperatura media anual)	7 años		■	3
Condensadores + contactores @ 25°C (temperatura media anual)	10 años		■	3
Ventiladores	2 años		■	1

Resolución de los problemas

Final de la vida útil y reciclaje

Resolución de los problemas

Si algunos problemas aparecen durante la instalación o la utilización de su equipo, consulte la información a continuación.

Si los problemas persisten, contactar con su representante Schneider Electric.

Resolución de los problemas

Que	Causa posible	Acción
No hay visualización	Ver guía de utilización (§ configuración y gestión del regulador) & el manual de su regulador incluido dentro de su equipo	Ver guía de utilización (§ configuración y gestión del regulador) & el manual de su regulador incluido dentro de su equipo
Alarma en el regulador	Ver guía de utilización (§ configuración y gestión del regulador) & el manual de su regulador incluido dentro de su equipo	Ver guía de utilización (§ configuración y gestión del regulador) & el manual de su regulador incluido dentro de su equipo
Mando rotativo está en posición de defecto	El disyuntor de entrada está en defecto	NO REAMAR el disyuntor : Llevar a cabo un análisis de causas
Protección de llegada del equipo está en defecto	Los reglajes de protección no son las adecuadas o mal dimensionados. Algunos cables están defectuosos. El equipo no funciona correctamente.	NO RESETEAR el disyuntor y NO REARMAR : Llevar a cabo un análisis de causas
El envolvente parece inusualmente caliente	Ventiladores no funcionan de manera adecuada Espacio libre alrededor del equipo no respetado	En cualquier caso y en ante la duda, cortar la alimentación del equipo y seguir un plan de análisis de causas Verificar que el contacto de alarma de temperatura excesiva está conectado al sistema de supervisión apropiado En compensación automática : verificar la alarma de temperatura introducida en el regulador
	Temperatura ambiente recomendada por el constructor no ha sido respetada	
Ruido	Funcionamiento de los contactores	Verificar la alarma del regulador
	Reactancia anti armónicas desincronizada	Verificar los valores de capacidad de los condensadores
La compensación no da los resultados esperados en la factura de electricidad	Las características de la red han cambiado El equipo está subdimensionado El equipo no funciona de manera adecuada Su proveedor de energía ha cambiado sus reglas de facturación de energía reactiva	Llevar a cabo un análisis de causas

Final de la vida útil y reciclaje

Consulte el documento con referencia ENVEOLI 130603EN, disponible en la web de Schneider Electric, o póngase en contacto con su representante de Schneider Electric para recibir una copia.

⚠ ADVERTENCIA

RIESGO DE CAIDA O BASCULACIÓN DEL EQUIPO DURANTE LA MANIPULACIÓN

- Utilizar medios de manipulación adaptados a las dimensiones y al peso del equipo.
- Colocar correctamente los medios de manipulación.
- Desplazar el equipo con mucho cuidado.
- Evitar los choques y las deformaciones.

Si no se siguen estas instrucciones, puede provocar la muerte, lesiones graves o daños en el equipo.

Schneider Electric Industries SAS

35, rue Joseph Monier
CS 30323
92506 Rueil Malmaison Cedex
France

RCS Nanterre 954 503 439
Capital social 896 313 776 €
www.schneider-electric.com

En raison de l'évolution des normes et du matériel, les caractéristiques indiquées par les textes et les images de ce document ne nous engagent qu'après confirmation par nos services.

Publication : Schneider Electric Industries SAS
Réalisation : Ameg
Photos : Schneider Electric
Impression :



Ce document a été imprimé
sur du papier écologique.

