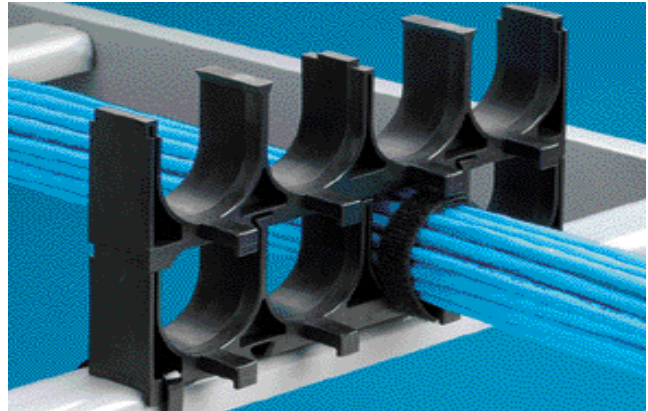
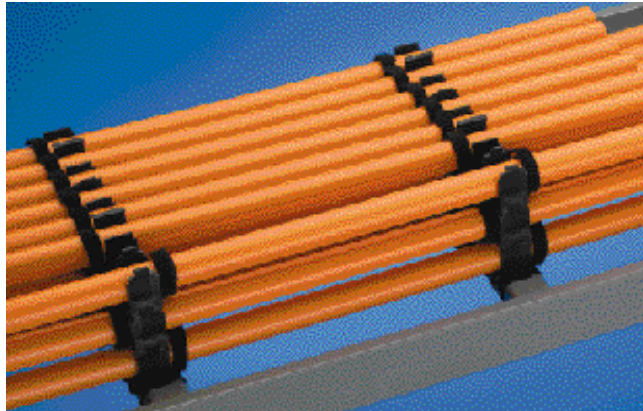




Stackable Cable Rack Spacers



Route and Secure Cables on Ladder Racks

- **Easy Installation** - Secure to ladder rack with standard cross section cable ties (PLT1.5S-C0 or PLT2S-M60).
- **Prevents Lacing Cord** - Allows user to secure cable to spacer with standard *PANDUIT® PAN-TY®* Cable Ties, *BELT-TY™* IN-LINE Cable Ties, or *TAK-TY™* Hook & Loop Cable Ties to prevent movement of cable.
- **Available in Multiple Widths** - Use multiple 6-position or 4-position parts placed horizontally to fill the majority of the rack. Use single position parts to fill capacity of ladder rack.
- **Eliminates Pinch Points** - Separates and supports cable and prevents pinch points between the bottom row of cable and the rung as a result of the weight of multiple cable layers applied on top of each other.
- **Stackable** - Maximize rack space by stacking products for maximum cable capacity.

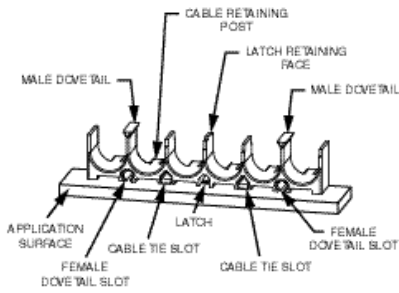
Ordering Information

Part Number	Cable Bundles	Bundle Diameter In. (mm)	Material	Color	Width In. (mm)	Stack Height In. (mm)	Std. Pkg. Qty.*	Std. Ctn. Qty.
CRS4-125-X	4	1.25" (31.75)	Flame Retardant Nylon	Black	5.2" (132.08)	1.42" (36.07)	10	100
CRS1-125-X	1				1.54" (39.12)			
CRS6-X	6	0.8" (20.32)	Polycarbonate ABS blend		5.25" (133.35)	1.00" (25.4)		
CRS1-X	1				1.12" (28.45)			

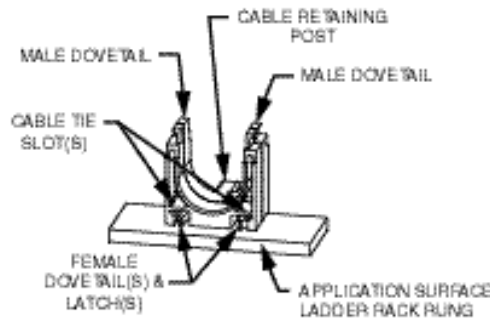
*Order number required in multiples of std. pkg. qty.

PANDUIT® Stackable Cable Rack Spacers

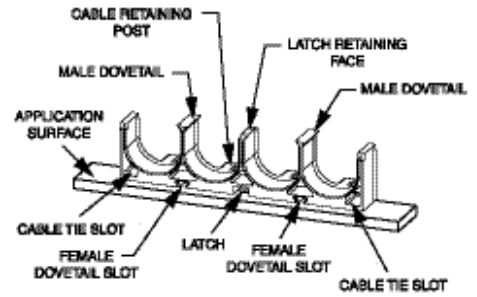
General Instructions for Stackable Cable Rack Spacers



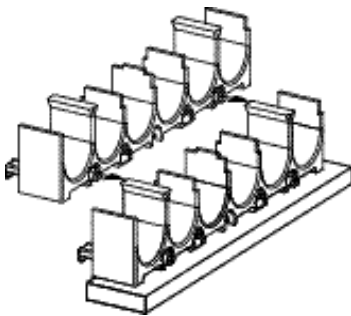
View 1 (CRS6-X)



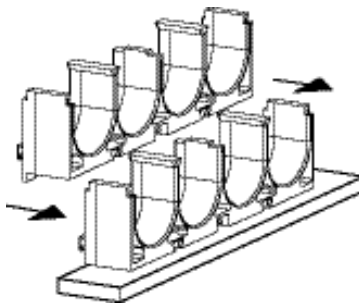
View 2 (CRS1-X or CRS1-125-X)



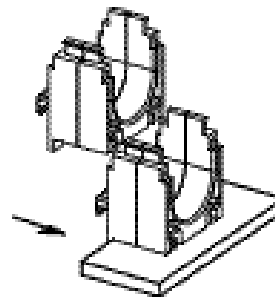
View 3 (CRS4-125-X)



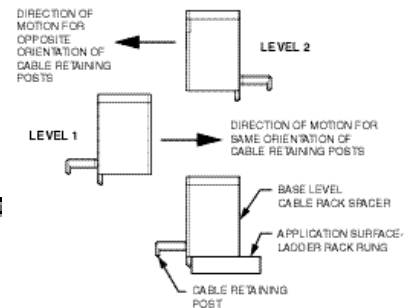
View 4



View 5



View 6



View 7

1. Secure bottom level of Stackable Cable Rack Spacer to the application surface, i.e. ladder rack rung with two standard cross-section *PANDUIT*® *PAN-TY*® Cable Ties (PLT2S-M60 or PLT1.5S-C0) (View 1, 2, and 3).
2. Install cable or cable bundles into each of the cable retaining areas. (View 1, 2, and 3).
3. Secure cable to the cable retaining posts (View 1, 2, and 3) with *PANDUIT*® *PAN-TY* Cable Ties, *BELT-TY*™ IN-LINE Cable Ties (ILT1.5S-C0), or *TAK-TY*™ Hook & Loop Cable Ties (HLM-15R0) up to 0.33" in width.
4. Installation of the next level of Stackable Cable Rack Spacers is accomplished by sliding the male dovetail into the female dovetail slot (View 4, 5, and 6). The latch(s) will lock the parts into position. To unlock these parts, use a screwdriver or a small tool to release latch(s) and slide in opposite direction.
5. Repeat steps 2, 3, and 4 until maximum stack height is achieved. *PANDUIT* recommends a maximum stack height of five for the CRS6-X and CRS1-X. A maximum stack height of four is recommended for the CRS4-125-X and CRS1-125-X. Stackable Cable Rack Spacers are reversible to allow cable retaining posts to be alternated (View 7).

- A typical *PANDUIT*® *PAN-TY* Cable Tie part number is PLT2S-C
- A typical *PANDUIT*® *BELT-TY* IN-LINE Cable Tie part number is ILT2S-M
- A typical *PANDUIT*® *TAK-TY* Hook & Loop Cable Tie part number is HLM-15R0
- Refer to *PANDUIT* Cable Tie & Wiring Accessories Catalog (SA101N275C-WC) for more information

Our products are warranted to be free from defects in material and workmanship at the time of sale but our obligation under this warranty is limited to the replacement of any product proved to be defective within 6 months (for product) or 90 days (for tools) from the date of delivery. Tool warranty is void if Panduit tools are modified, altered or misused in any way. Use of Panduit tooling with any product other than the specified Panduit products for which the tool was designed, constitutes misuse. Before using, user shall determine the suitability of the product for his intended use and user assumes all risk and liability whatsoever in connection therewith.

This warranty is made in lieu of and excludes all other warranties, expressed or implied. THE IMPLIED WARRANTIES OF MERCHANTABILITY AND FITNESS FOR A PARTICULAR USE ARE SPECIFICALLY EXCLUDED. Neither seller nor manufacturer shall be liable for any other injury, loss or damage, whether direct or consequential, arising out of the use of, or the inability to use, the product.

The information contained in this literature is based on our experience to date and is believed to be reliable. It is intended as a guide for use by persons having technical skill at their own discretion and risk. We do not guarantee favorable results or assume any liability in connection with its use. Dimensions contained herein are for reference purposes only. For specific dimensional requirements consult the factory. This publication is not to be taken as a license to operate under, or a recommendation to infringe any existing patents. This supersedes and voids all previous literature, etc.



Panduit Corp.
17301 Ridgeland Avenue
Tinley Park, IL 60477-3091
Phone: 800-777-3300
FAX: 708-532-1811
Email: info@panduit.com
Website: www.panduit.com

Panduit Canada
Div. of Panduit Corp.
140 Amber Street
Markham, Ontario L3R 3J8
Phone: 800-387-9689
905-475-6922
FAX: 905-475-6998

WORLDWIDE SUBSIDIARIES AND SALES OFFICES

For Pricing and Further Information –
Contact your local
PANDUIT Distributor or Sales Office

SA101N500A-WA
Printed in U.S.A.