



LED integrated monoblock pilot lights steady light LPML

Product designation

Product type designation

**General characteristics**

|                          |   |
|--------------------------|---|
| Colour                   | Transparent                                 |
| Type of positions        | Monoblock pilot light                       |
| Material                 | Polyamide                                   |
| IEC degree of protection | IP66, IP67 and IP69K on front; IP20 on rear |

**Electrical characteristics**

|                     |    |                              |
|---------------------|----|------------------------------|
| Rated frequency     | Hz | 50-60                        |
| Supply voltage (DC) | V  | 110...125 (-15% ... +10% Ue) |

**Operations**

|                 |       |        |
|-----------------|-------|--------|
| Electrical life | hours | >30000 |
|-----------------|-------|--------|

**Mechanical features**

|                                     |    |     |
|-------------------------------------|----|-----|
| Tightening torque for terminals max | Nm | 0.8 |
|-------------------------------------|----|-----|

Conductor section

AWG/kcmil conductor section

|     |    |
|-----|----|
| min | 18 |
| max | 16 |

IEC

|     |                 |     |
|-----|-----------------|-----|
| min | mm <sup>2</sup> | 0.5 |
| max | mm <sup>2</sup> | 2.5 |

|        |   |    |
|--------|---|----|
| Weight | g | 24 |
|--------|---|----|

**UL technical data**

|                         |                                       |
|-------------------------|---------------------------------------|
| UL degree of protection | Type1, 2, 3R, 4, 4X, 12, 12K on front |
|-------------------------|---------------------------------------|

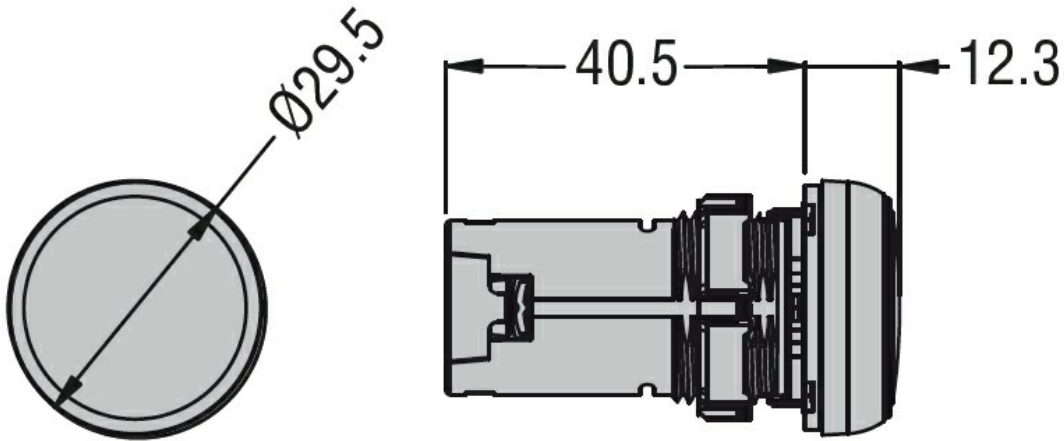
**Ambient conditions**

Temperature

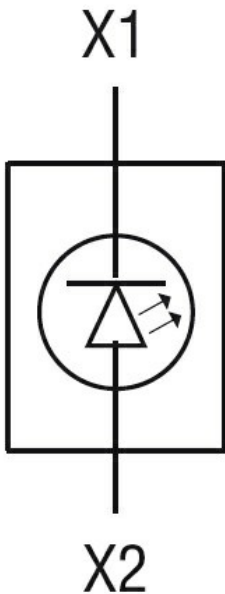
Operating temperature

|     |    |     |
|-----|----|-----|
| min | °C | -25 |
| max | °C | +70 |

**Dimensions**



### Wiring diagrams



### Certifications and compliance

#### Compliance

CSA C22.2 n° 14  
IEC/EN/BS 60947-1  
IEC/EN/BS 60947-5-1  
UL508

#### Certificates

cULus  
EAC

### ETIM classification

ETIM 8.0

EC000272 -  
Indicator light  
complete