



Electronic reversing starter, 2.4A
ME024RD024

Product designation

Product type designation

Electrical features

Function			Reversing starter
Rated operational voltage	V	40...500	
Rated frequency	Hz	50/60	
Auxiliary supply voltage			24VDC
Rated current AC-3, AC-53a	A	2.4	
Thermal protection			Integrated, class 10A
Thermal trip adjustment range			0.18...2.4A
Safe torque Off (STO) safety function			No

Digital outputs

Number of outputs	Nr.	3	
Output type	1 relay output with C/O contact +2 PNP digital outputs		
Output contacts ratings	Relay output: 3A 230V AC15, 2A 24V DC13 Digital outputs: 40mA 24VDC		

Mechanical features

Terminals type	Screw		
Conductor section	AWG/kcmil conductor section		
	min	24	
	max	14	
	IEC		
	min	mm ²	0.2
	max	mm ²	2.5
	Tightening torque for terminals max		Nm 0.6
Cable stripping length	mm	8	

Operating position

	normal	Vertical
Fixing	35mm DIN rail (IEC/EN/BS 60715)	
Weight	g	300

Operations

Mechanical life	cycles	15 milion
Electrical life	cycles	50 milion

Ambient conditions

Operating temperature

min	°C	-25
max	°C	+70

Storage temperature

min	°C	-25
max	°C	+80

Relative humidity

%	20...90
---	---------

Resistance & Protection

Rated insulation voltage Ui

V	500
---	-----

Rated surge voltage

kV	6
----	---

Frontal IP degree

IP20

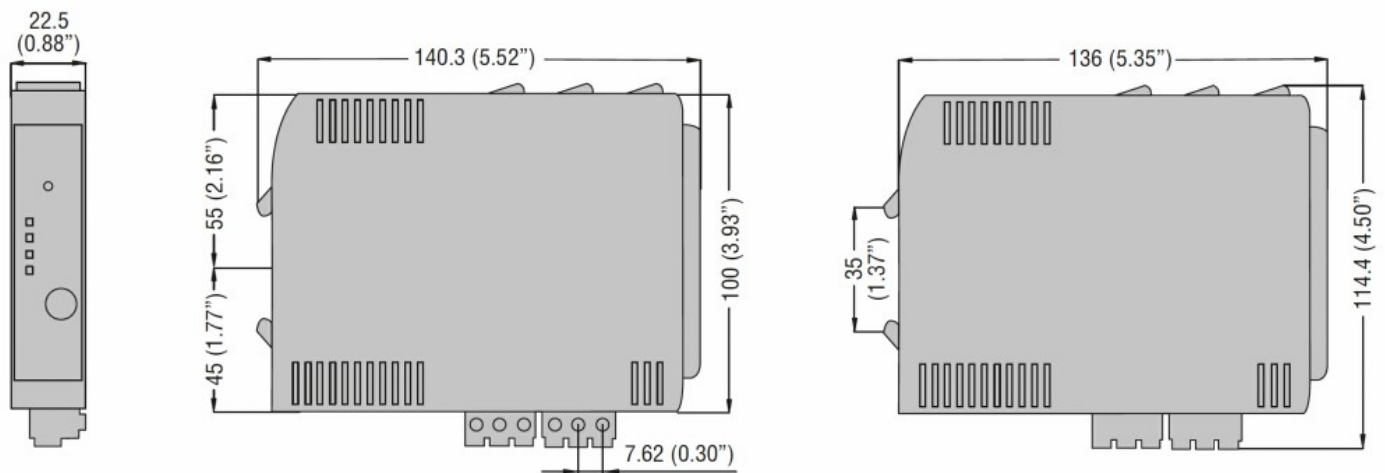
Terminals IP degree

IP20

Pollution degree

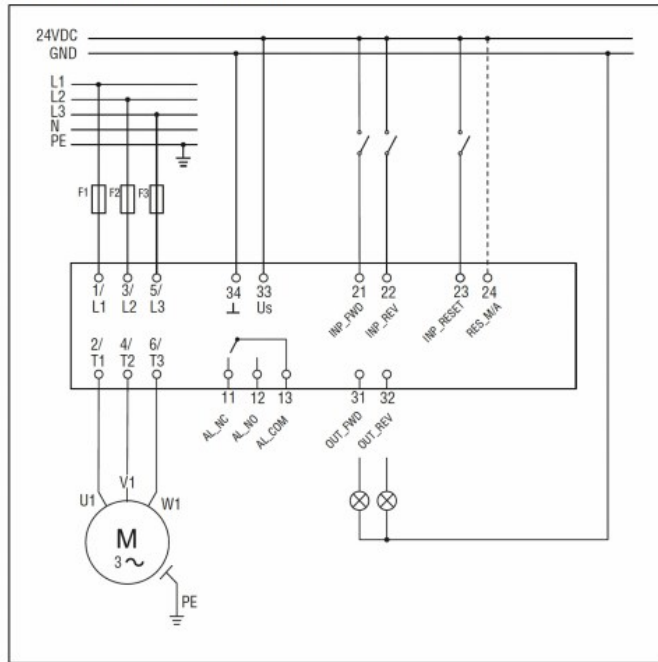
2

Dimensions

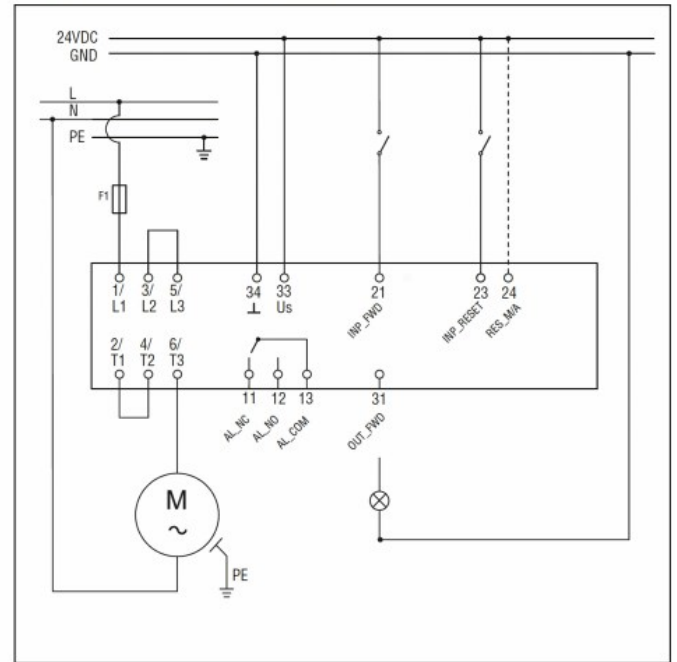


Wiring diagrams

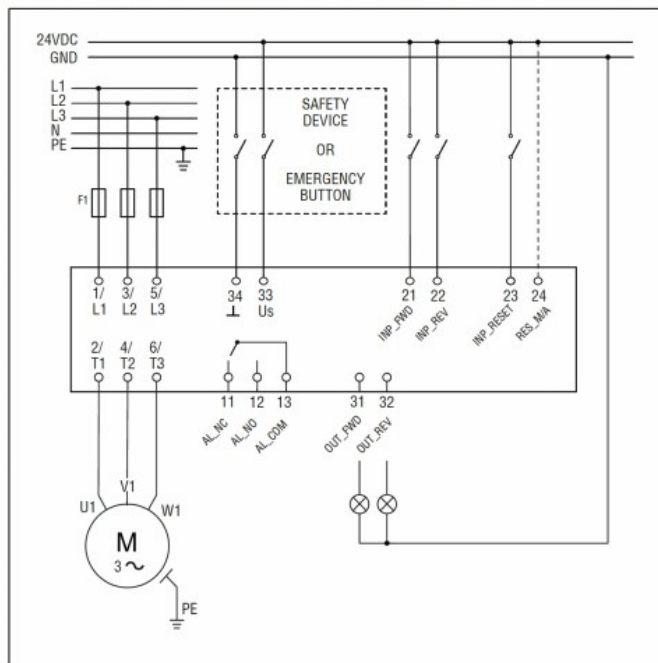
Wiring diagram for three-phase motors



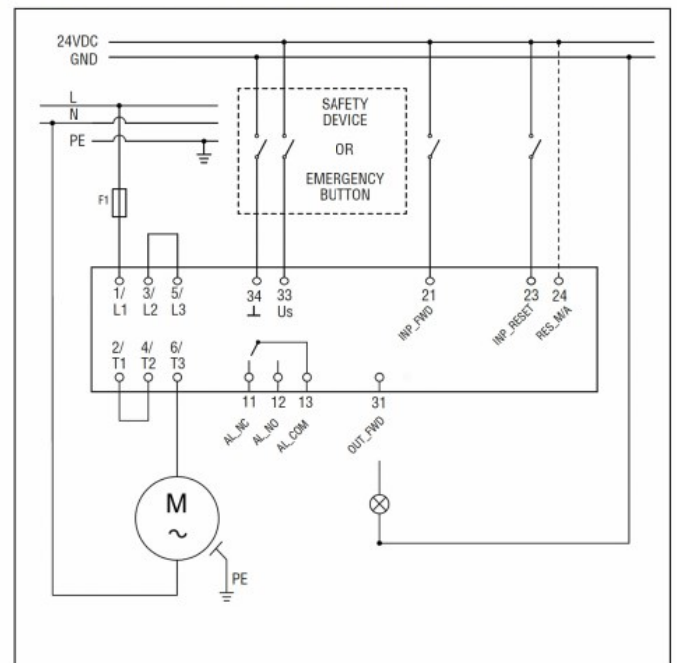
Wiring diagram for single-phase motors



Wiring diagram for three-phase motors for safety applications



Wiring diagram for single-phase motors for safety applications



Certifications and compliance

Compliance

CSA C22.2 n° 60947-4-2

IEC/EN/BS 60947-4

UL 60947-4-2

Certificates

cULus