

1SNA519103R0300 ✓ ACTIVE

TE Internal #: 1SNA519103R0300

TE Internal Description: PC-RG2.5-3

[View on TE.com >](#)



Product Compliance

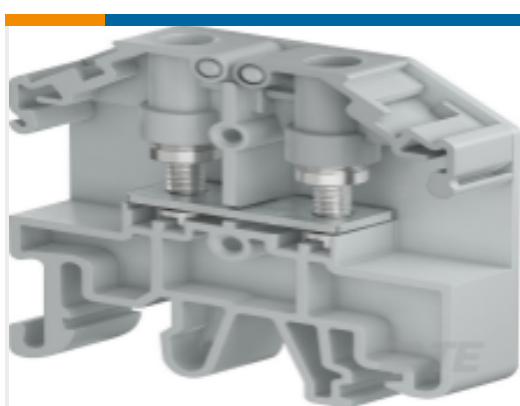
[For compliance documentation, visit the product page on TE.com>](#)

EU RoHS Directive 2011/65/EU	Compliant
EU ELV Directive 2000/53/EC	Not Yet Reviewed
China RoHS 2 Directive MIIT Order No 32, 2016	No Restricted Materials Above Threshold
EU REACH Regulation (EC) No. 1907/2006	Current ECHA Candidate List: JUNE 2022 (224) Candidate List Declared Against: JUL 2021 (219) Does not contain REACH SVHC
Halogen Content	Not Yet Reviewed for halogen content
Solder Process Capability	Not reviewed for solder process capability

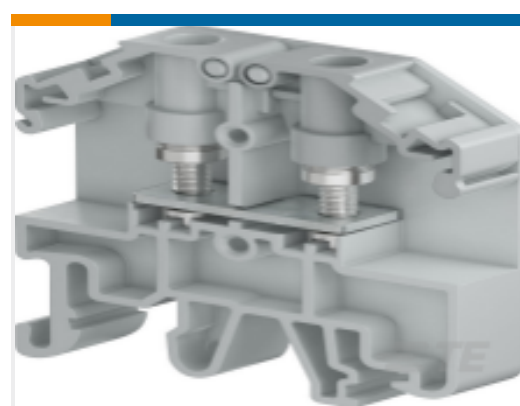
Product Compliance Disclaimer

This information is provided based on reasonable inquiry of our suppliers and represents our current actual knowledge based on the information they provided. This information is subject to change. The part numbers that TE has identified as EU RoHS compliant have a maximum concentration of 0.1% by weight in homogenous materials for lead, hexavalent chromium, mercury, PBB, PBDE, DBP, BBP, DEHP, DIBP, and 0.01% for cadmium, or qualify for an exemption to these limits as defined in the Annexes of Directive 2011/65/EU (RoHS2). Finished electrical and electronic equipment products will be CE marked as required by Directive 2011/65/EU. Components may not be CE marked. Additionally, the part numbers that TE has identified as EU ELV compliant have a maximum concentration of 0.1% by weight in homogenous materials for lead, hexavalent chromium, and mercury, and 0.01% for cadmium, or qualify for an exemption to these limits as defined in the Annexes of Directive 2000/53/EC (ELV). Regarding the REACH Regulation, the information TE provides on SVHC in articles for this part number is based on the latest European Chemicals Agency (ECHA) 'Guidance on requirements for substances in articles' posted at this URL: <https://echa.europa.eu/guidance-documents/guidance-on-reach>

Compatible Parts



TE Part # 1SNA510003R0000
RGW2.5-V0




TE Part # 1SNA510103R0000
RGW2.5-T-V0

Customers Also Bought



TE Part #1SNK508315R0000
ZS10-S



TE Part #281708-6
PLUG HE14 IDC 90 6 P TUBE



TE Part #4-280050-2
250 FASTON, FLAG, REC., 16-20 AWG,
TPBR



TE Part #1SNA235714R2600
HTP500-CLEAN



TE Part #880681-4
.312 SERIES FASTIN-



TE Part #1SNA510003R0000
RGW2.5-V0



TE Part #1SNA519003R0000
E-RGW2.5



TE Part #2133857-2
250 FASTON HSG., FLAG, REC., 1 POS,
BLACK

Documents

Product Drawings

[PC-RG2.5-3](#)

English

Datasheets & Catalog Pages

[RGW RING LUG TERMINAL BLOCKS](#)

English

[ENTRELEC Terminal Block - Master Catalog](#)

English

[PC-RG2.5-3](#)

English