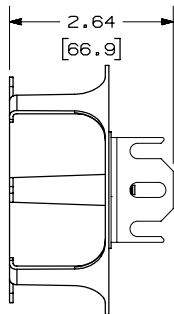


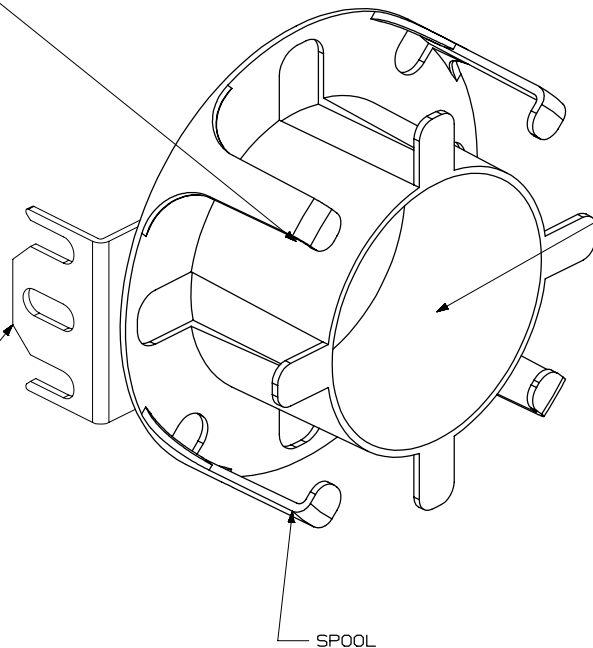
THIS COPY IS PROVIDED ON A RESTRICTED BASIS AND IS NOT TO BE USED IN ANY WAY DETRIMENTAL TO THE INTERESTS OF PANDUIT CORP.

NOTES:

1. VISIT OUR ON-LINE CATALOG AT WWW.PANDUIT.COM FOR INSTALLATION INSTRUCTIONS SPECIFIC TO THIS PRODUCT (FS206). TO BE USED WITH FLEXCORE OPTICAL DISTRIBUTION FRAME.
2. DIMENSIONS IN [ ] ARE METRIC.
3. ALL MATERIALS AND COMPONENTS USED MEET THE MATERIAL RESTRICTIONS OF RoHS (EUROPEAN DIRECTIVE 2011/65/EU ON THE RESTRICTION OF HAZARDOUS SUBSTANCES) AS PROPOSED BY THE RoHS TECHNICAL ADAPTATION COMMITTEE.
4. TO BE USED WITH PRE-TERMINATED TRUNK ASSEMBLIES WHERE BREAKOUT LENGTHS ARE A METER OR LONGER.
5. CAN ACCEPT UP TO (24) ROUND FURCATION TUBES, (24) RIBBON FURCATION TUBES, OR A COMBINATION OF BOTH.
6. (4) #12-24 SCREWS LOCATED WITH KIT, (3) NOT SHOWN.



ADHESIVE PAD LOCATED ON BACK OF SPOOL.  
NOT NECESSARY TO USE IN APPLICATION.



ALWAYS ATTACH SPOOL ON SIDE OF BASE SHOWN

R 2.00  
[50.8]

#12-24 SCREW,  
OTHER (3) NOT SHOWN

BASE

1.68  
[42.7]

SPOOL

PART NUMBER		FD FSPLKITBL	
ITEM REVISION NAME		FlexCore ODF TRUNK SLACK SPOOL MANAGER KIT	
DATASET FILE NAME		CUSTOMER DRAWING	
00975EAN/02		00975EAN_DC/02A	
THIRD ANGLE PROJECTION		<b>PANDUIT</b>	
DRAWING NUMBER		00975EAN-DC	
MATERIAL		N/A	
DRWN BY	DATE	CHK	SCALE
SAT	12/10/2021	BJBE	NONE
SHEET 1 OF 1			SIZE
			B

02A	12/10/2021	SAT	BJBE	GB-SJMO	INITIAL RELEASE	00975EAN-DC
REV	DATE	BY	CHK	APR	DESCRIPTION	ECN

B-SIZE CUSTOMER