


Part number

# PEW 1663 PQF



Flush-mounting socket outlet, PLUSO series, 2 poles + PE, 6 h (blue), 16 A, 200 ÷ 250 V, straight, with bigger flange

#### Product description

<b>Product type</b>	Socket Flush-mounting
<b>Series</b>	PEW...PQF, PLUSO
<b>N. of poles</b>	2 poles + 
<b>Clock position</b>	6
<b>Size</b>	Socket fixing centre distance 60 x 60 mm
<b>Specification</b>	Straight, bigger flange

#### Technical data

<b>Current</b>	16 A
<b>Voltage</b>	200 ÷ 250 V
<b>IP degree of protection</b>	IP67
<b>Further technical details</b>	
<b>Weight</b>	150,00 g
<b>Operating temperature range (min, max)</b>	-25°C ... +40°C

#### Material properties

<b>Colour</b>	RAL 7035 grey, RAL 5015 blue
<b>RoHs conformity</b>	Compliant with exemption 6(c): copper alloy containing up to 4% lead by weight
<b>China RoHs - EFUP</b>	50
<b>REACH SVHC substances</b>	Yes Lead
<b>SCIP number</b>	Ca7de37f-add8-4b77-9861-279c94903ade

#### Approvals / Standards

<b>Reference standard</b>	EN 60309-1 and -2
---------------------------	-------------------

#### General ordering information

<b>EAN13 code</b>	8015747072656
-------------------	---------------

#### Packaging Information

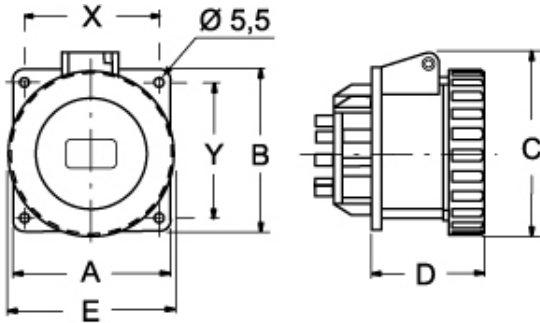
<b>Packaging length</b>	285,00 mm
<b>Packaging height</b>	170,00 mm
<b>Packaging width</b>	190,00 mm
<b>Packaging weight</b>	1,70 kg
<b>Packaging volume</b>	9,21 dm <sup>3</sup>
<b>Packaging description</b>	Carton box
<b>Packaging quantity</b>	10 Pcs
<b>Packaging EAN code</b>	8015747072663

Part number

# PEW 1663 PQF



## Catalogue drawings



		A	B	C	D	E	X	Y
<b>PQF 16 A</b>	2P+⊖	80	80	--	52	70	60	60
	3P+⊖	80	80	--	52	78	60	60
<b>PQ 16 A</b>	2P+⊖	65	65	77	52	70	52	52
	3P+⊖	65	65	85	52	78	52	52
	3P+N+⊖	80	80	93	52	86	60	60
<b>PQ 32 A</b>	2P+⊖	80	80	98	62	92	60	60
	3P+⊖	80	80	98	62	92	60	60
	3P+N+⊖	80	80	105	62	100	60	60

## Notes

Dimensions shown in mm are not binding and may be changed without notice.