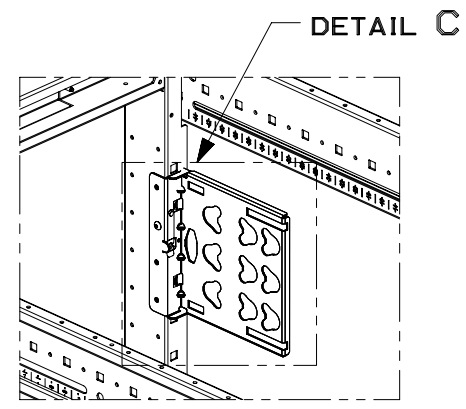
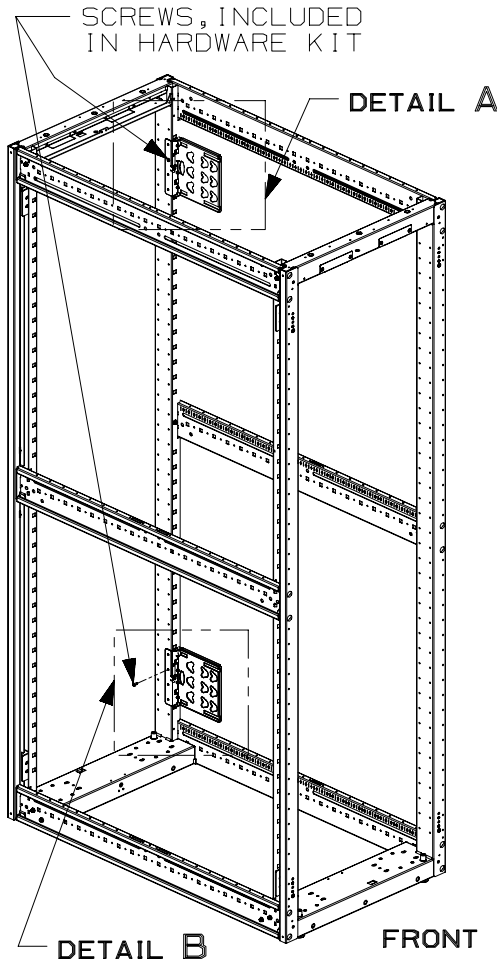
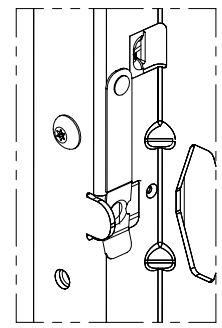


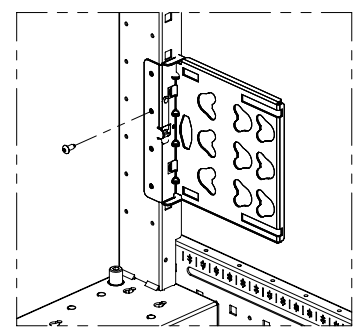
THIS COPY IS PROVIDED ON A RESTRICTED BASIS AND IS NOT TO BE USED IN ANY WAY DETRIMENTAL TO THE INTERESTS OF PANDUIT CORP.



DETAIL A
INSTALLED



SNAP BUTTON
DETAIL

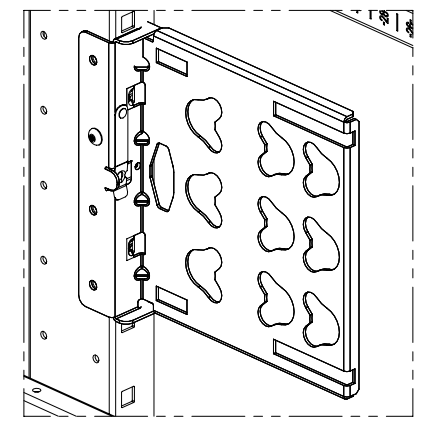


DETAIL B

SHOWN IN DETAIL B:

- BUTTON HEAD SCREW (INCLUDED IN HARDWARE KIT)
- PDU BRACKET

PDU MOUNTING BRACKET CAN BE ADJUSTED VERTICALLY ALONG CABINET PER RACK SPACE



DETAIL C

- NOTES:
1. VISIT OUR ON-LINE CATALOG AT WWW.PANDUIT.COM FOR A LIST OF CURRENT PARTS APPLICABLE FOR USE WITH THIS PRODUCT.
 2. PRIMARY DIMENSIONS ARE IN MILLIMETERS (mm).
 3. PARTS SUPPLIED:
 (2) - PDU BRACKETS
 (1) - HARDWARE KIT
 (1) - INSTRUCTION SHEET (NOT SHOWN)

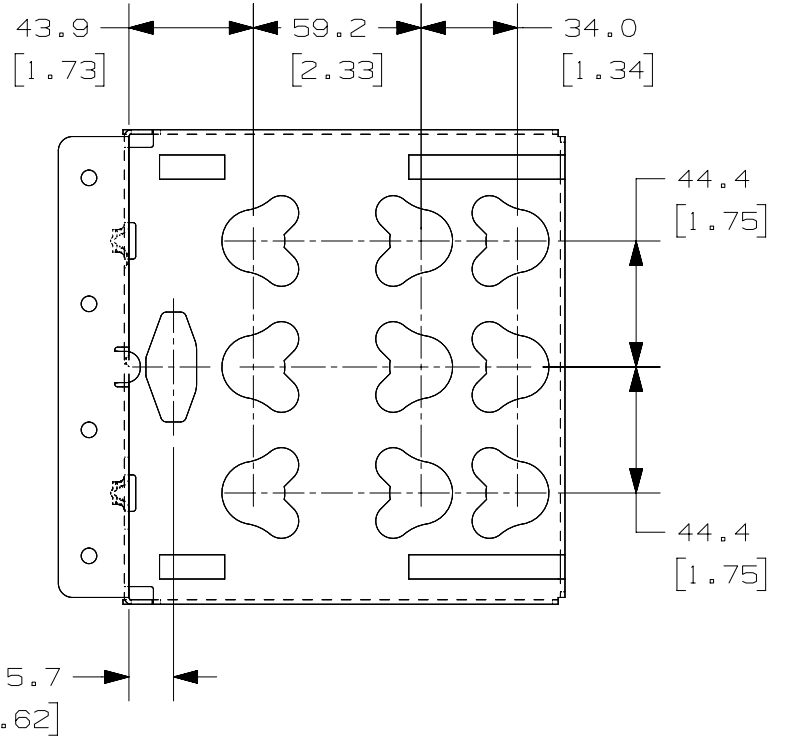
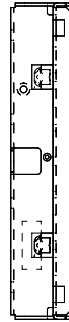
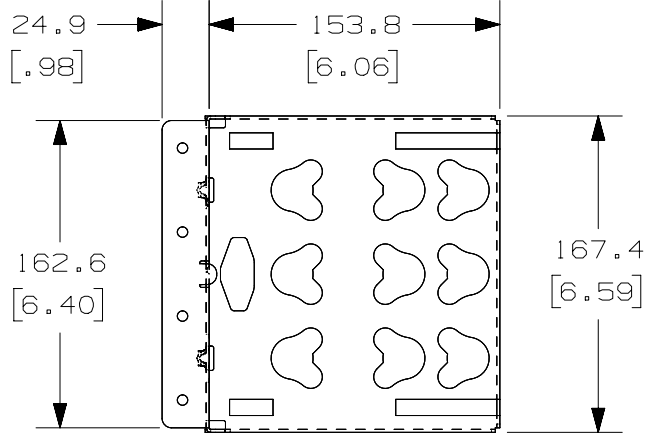
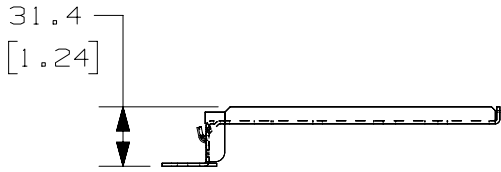
PANDUIT P/N	WEIGHT
XG-PBRB	1.14 Kg 2.50 LBS
XG-PBRW	1.14 Kg 2.50 LBS

D10100DA/20

REV	DATE	BY	CHK	APR	DESCRIPTION	ECN
06A	6/2/21	MEX-JAGC	FWI	ELE	VIEWS UPDATED, PDU GEOMETRY CHANGE	V09002ET/07
05A	3/30/21	MEX-JAGC	FWI	ELE	NOTES UPDATED, SCREWS MOVED TO HARDWARE KIT	V09002ET/06
04A	2/19/21	LEE	FWI	ELE	DRAWING RELEASE	V09002ET/05

TITLE		FLEXFUSION PDU BRACKET-EASY INSTALL (XG-PBRB & XG-PBRW)	
		CUSTOMER DRAWING	
ITEM REVISION NAME		00463NDM/06	
DATASET FILE NAME		00463NDM_DC/06A	
		PANDUIT	
		MATERIAL: N/A	
		DRAWING NUMBER: 00463NDM-DC	
DRAWN BY	DATE	CHK	SCALE
LEE	2/19/21	FWI	NONE
		THIRD ANGLE PROJECTION	
		SHT 1 OF 2	
		A	

THIS COPY IS PROVIDED ON A RESTRICTED BASIS AND IS NOT TO BE USED IN ANY WAY DETRIMENTAL TO THE INTERESTS OF PANDUIT CORP.



REV	DATE	BY	CHK	APR	DESCRIPTION	ECN
06A	6/2/21	MEX-JAGC	FWI	ELE	SEE SHEET 1 FOR REVISIONS	V09002ET/07
05A	3/30/21	MEX-JAGC	FWI	ELE	SEE SHEET 1 FOR REVISIONS	V09002ET/06
04A	2/19/21	LEE	FWI	ELE	DRAWING RELEASE	V09002ET/05

TITLE FLEXFUSION PDU BRACKET-EASY INSTALL (XG-PBRB & XG-PBRW)			
CUSTOMER DRAWING			
ITEM REVISION NAME 00463NDM/06		PANDUIT	
DATASET FILE NAME 00463NDM_DC/06A			
DRAWN BY LEE		MATERIAL: N/A	
DATE 2/19/21		DRAWING NUMBER: 00463NDM-DC	
CHK FWI		THIRD ANGLE PROJECTION	
SCALE NONE		SHT 2 OF 2	
SIZE A			

D10100DA/20

2

1

2

1