



|   |                  |                 |                              |                          |
|---|------------------|-----------------|------------------------------|--------------------------|
| Product designation                                 |                  |                 |                              | Auxiliary contactor      |
| Product type designation                            |                  |                 |                              | BF00                     |
| <b>Contact characteristics</b>                      |                  |                 |                              |                          |
| Number of poles                                     | Nr.              |                 |                              | 4                        |
| Rated insulation voltage $U_i$ IEC/EN               | V                |                 |                              | 690                      |
| Rated impulse withstand voltage $U_{imp}$           | kV               |                 |                              | 6                        |
| Operational frequency                               | min              | Hz              | 25                           |                          |
|   | max              | Hz              | 400                          |                          |
| IEC Conventional free air thermal current $I_{th}$  | A                |                 |                              | 10                       |
| Protection fuse                                     | gG (IEC)         |                 | A                            | 25                       |
|   |                  |                 |                              |                          |
| Tightening torque for terminals                     | min              | Nm              | 1.5                          |                          |
|   | max              | Nm              | 1.8                          |                          |
|   | min              | lbin            | 1.1                          |                          |
|   | max              | lbin            | 1.5                          |                          |
| Tightening torque for coil terminal                 | min              | Nm              | 0.8                          |                          |
|   | max              | Nm              | 1                            |                          |
|   | min              | lbin            | 0.8                          |                          |
|   | max              | lbin            | 0.74                         |                          |
| Max number of wires simultaneously connectable      | Nr.              |                 |                              | 2                        |
| Conductor section                                   | AWG/Kcmil        |                 |                              |                          |
|   |                  |                 | max                          | 10                       |
| Flexible w/o lug conductor section                  | min              | mm <sup>2</sup> | 1                            |                          |
|   | max              | mm <sup>2</sup> | 6                            |                          |
| Flexible c/w lug conductor section                  | min              | mm <sup>2</sup> | 1                            |                          |
|   | max              | mm <sup>2</sup> | 4                            |                          |
| Flexible with insulated spade lug conductor section | min              | mm <sup>2</sup> | 1                            |                          |
|   | max              | mm <sup>2</sup> | 4                            |                          |
| Power terminal protection according to IEC/EN 60529 |                  |                 |                              | IP20 when properly wired |
| <b>Mechanical features</b>                          |                  |                 |                              |                          |
| Operating position                                  | normal allowable |                 | Vertical plan $\pm 30^\circ$ |                          |
|   |                  |                 |                              |                          |
| Fixing  |                  |                 |                              | Screw / DIN rail 35mm    |
| Weight  |                  |                 |                              | g 356                    |

|  |                              |  |  |                 |                 |
|--|------------------------------|--|--|-----------------|-----------------|
| Conductor section                                  | AWG/kcmil conductor section  |  |  | max             | 10              |
| <b>Auxiliary contact characteristics</b>           |                              |  |  |                 |                 |
| Thermal current I <sub>th</sub>                    |                              |  |  | A               | 10              |
| IEC/EN 60947-5-1 designation                       |                              |  |  | A600 - P600     |                 |
| Operating current AC15                             |                              |  |  | 230V            | A 3             |
|  |                              |  |  | 400V            | A 1.9           |
|  |                              |  |  | 500V            | A 1.4           |
| Operating current DC12                             |                              |  |  | 110V            | A 5.7           |
| Operating current DC13                             |                              |  |  | 24V             | A 5.7           |
|  |                              |  |  | 48V             | A 2.9           |
|  |                              |  |  | 60V             | A 2.3           |
|  |                              |  |  | 110V            | A 1.25          |
|  |                              |  |  | 125V            | A 1.1           |
|  |                              |  |  | 220V            | A 0.55          |
|  |                              |  |  | 600V            | A 0.2           |
| <b>Operations</b>                                  |                              |  |  |                 |                 |
| Mechanical life                                    |                              |  |  | cycles          | 20000000        |
| <b>Safety related data</b>                         |                              |  |  |                 |                 |
| Performance level B10d according to EN/ISO 13489-1 |                              |  |  | mechanical load | cycles 20000000 |
| Mirror contacts according to IEC/EN 60947-4-1      |                              |  |  | YES             |                 |
| EMC compatibility                                  |                              |  |  | yes             |                 |
| <b>AC coil operating</b>                           |                              |  |  |                 |                 |
| Rated AC voltage at 60Hz                           |                              |  |  | V               | 460             |
| AC operating voltage                               | of 60Hz coil powered at 60Hz |  |  |                 |                 |
|  | pick-up                      |  |  | min %Us         | 80              |
|  |                              |  |  | max %Us         | 110             |
|  | drop-out                     |  |  | min %Us         | 20              |
|  |                              |  |  | max %Us         | 55              |
| AC average coil consumption at 20°C                | of 60Hz coil powered at 60Hz |  |  | in-rush VA      | 75              |
|  |                              |  |  | holding VA      | 9               |
| Dissipation at holding ≤20°C 50Hz                  |                              |  |  | W               | 2.5             |
| <b>Max cycles frequency</b>                        |                              |  |  |                 |                 |
| Mechanical operation                               |                              |  |  | cycles/h        | 3600            |
| <b>Operating times</b>                             |                              |  |  |                 |                 |
| Average time for U <sub>s</sub> control            | in AC                        |  |  |                 |                 |
|  | Closing NO                   |  |  | min ms          | 8               |
|  |                              |  |  | max ms          | 24              |
|  | Opening NO                   |  |  | min ms          | 10              |
|  |                              |  |  | max ms          | 20              |

|            |     |    |    |
|------------|-----|----|----|
| Closing NC | min | ms | 9  |
|            | max | ms | 25 |
| Opening NC | min | ms | 9  |
|            | max | ms | 15 |

**UL technical data**

General USE

Auxiliary contacts

AC current A 10

Contact rating of auxiliary contacts according to UL

A600 - P600

**Ambient conditions**

Temperature

Operating temperature

min °C -50  
 max °C 70

Storage temperature

min °C -60  
 max °C 80

Max altitude

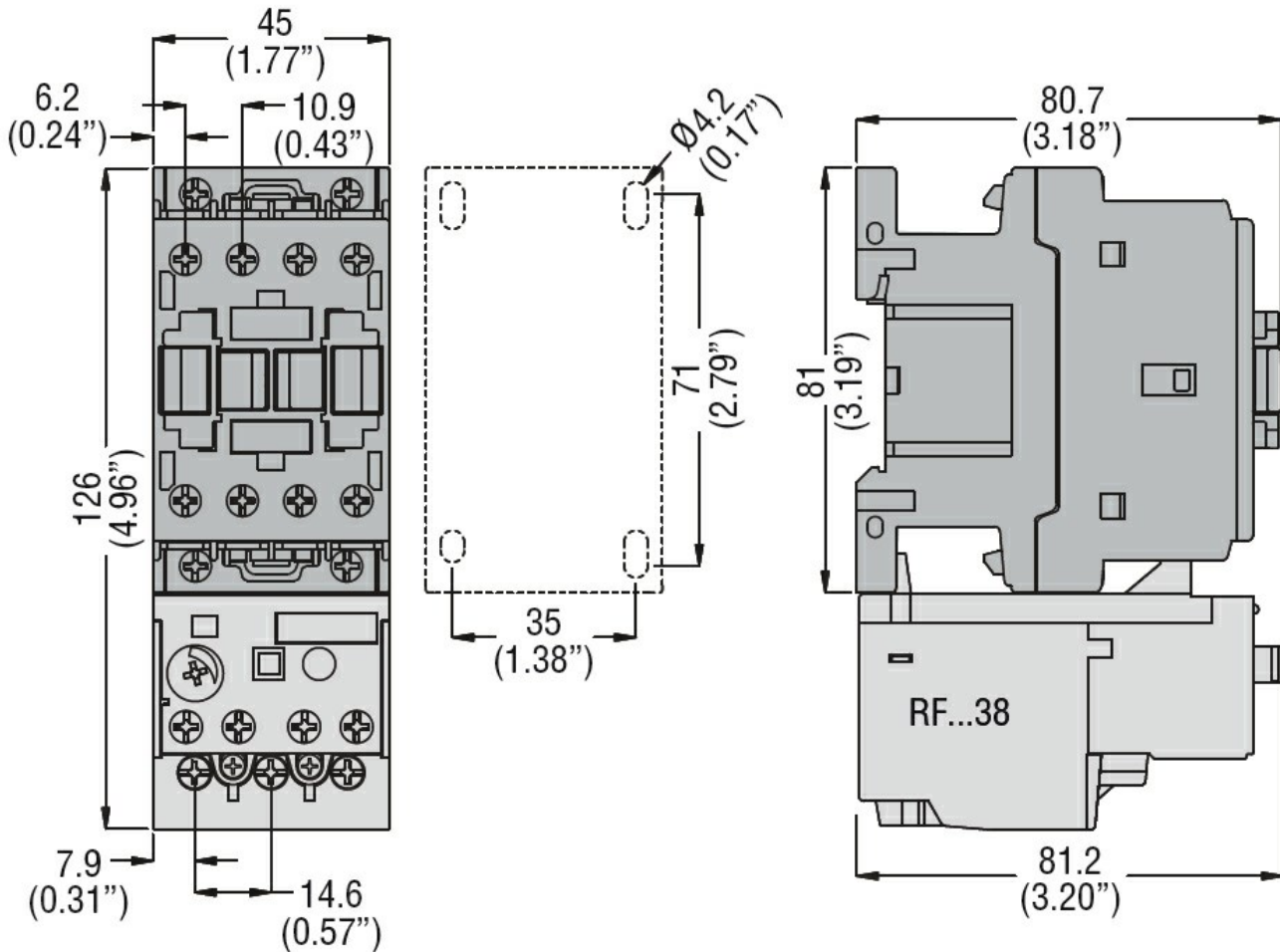
m 3000

**Resistance & Protection**

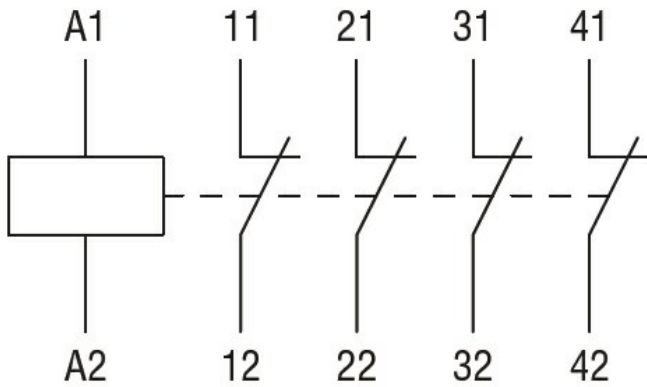
Pollution degree

3

**Dimensions**



**Wiring diagrams**



### Certifications and compliance

#### Compliance

CSA C22.2 n° 60947-1  
 CSA C22.2 n° 60947-5-1  
 IEC/EN 60947-1  
 IEC/EN 60947-5-1  
 UL 60947-1  
 UL 60947-5-1

#### Certificates

CCC  
 cULus  
 EAC

### ETIM classification

ETIM 8.0

EC000196 -  
 Contactor relay