

Part number

# MAO 16 X32



Hood, C-TYPE series, with 2 levers, M32 side cable entry, size "77.27", high construction, without gasket

#### Product description

|                      |                                   |
|----------------------|-----------------------------------|
| <b>Product type</b>  | Hood                              |
| <b>Series</b>        | C-TYPE                            |
| <b>Closing type</b>  | With 2 levers                     |
| <b>Size</b>          | Size 77.27                        |
| <b>Cable entry</b>   | Side cable entry<br>M32           |
| <b>Specification</b> | High construction, without gasket |

#### Technical data

|                                |                    |
|--------------------------------|--------------------|
| <b>IP degree of protection</b> | IP65 / IP66 / IP69 |
|--------------------------------|--------------------|

#### Further technical details

|   |                |
|---|----------------|
| <b>Weight</b>                                 | 291,80 g       |
| <b>Operating temperature range (min, max)</b> | -40°C...+125°C |

#### Material properties

|                              |  |
|------------------------------|--|
| <b>Other materials</b>       | Lever: Stainless steel, polyamide (PA) |
| <b>Colour</b>                | RAL 7040 grey                          |
| <b>RoHs conformity</b>       | Compliant                              |
| <b>China RoHs - EFUP</b>     | E                                      |
| <b>REACH SVHC substances</b> | No                                     |

#### Approvals / Standards

|                       |         |
|-----------------------|---------|
| <b>Certifications</b> | DNV, BV |
| <b>UL</b>             | ECBT2   |
| <b>cUL</b>            | ECBT8   |

#### General ordering information

|                   |               |
|-------------------|---------------|
| <b>EAN13 code</b> | 8015747050494 |
| <b>eCl@ss 8.1</b> | 27440202      |
| <b>ETIM 7.0</b>   | EC000437      |

#### Packaging Information

|                                  |                      |
|----------------------------------|----------------------|
| <b>Packaging length</b>          | 300,00 mm            |
| <b>Packaging height</b>          | 160,00 mm            |
| <b>Packaging width</b>           | 180,00 mm            |
| <b>Packaging weight</b>          | 3,15 kg              |
| <b>Packaging volume</b>          | 8,64 dm <sup>3</sup> |
| <b>Packaging description</b>     | Carton box           |
| <b>Packaging quantity</b>        | 10 Pcs               |
| <b>Packaging EAN code</b>        | 8015747215077        |
| <b>Sub-packaging weight</b>      | 1,58 kg              |
| <b>Sub-packaging description</b> | Plastic packaging    |
| <b>Sub-packaging quantity</b>    | 5 Pcs                |
| <b>Sub-packaging EAN barcode</b> | 8015747050500        |

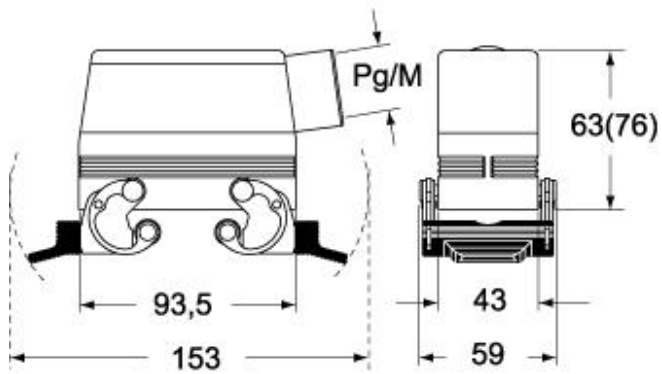
Part number

# MAO 16 X32



Catalogue drawings

**CHO X (CAO X) - MHO X (MAO X)**



**CHV X (CAV X) - MHV X (MAV X)**



## Notes

Dimensions shown in mm are not binding and may be changed without notice.