



Product designation	Rope-pull lever with reset button		
Product type designation	RS131310		
<b>General characteristics</b>			
<b>General characteristics</b>			
Housing Material	Polymer thermoplastic		
<b>Contact characteristics</b>			
Type of contact	1NO+1NC		
Thermal current I <sub>th</sub>	A	10	
Rated insulation voltage U <sub>i</sub>	V	250	
Short-circuit protection with fuse	Class/A	10 gG/SC QUICK FUSE	
IEC Conventional free air thermal current I <sub>th</sub>	A	10	
Resistance per pole (average value)	mΩ	<10	
<b>Operations</b>			
Mechanical life	cycles	100000	
Mechanical operation	cycles/h	1800	
<b>Output characteristics</b>			
Mechanical life	cycles	100000	
<b>Mechanical features</b>			
Operating head fixing	Screwed		
Operating torque	N	25	
	l <sub>b</sub>	5.6	
<b>Tightening torque (Max)</b>			
Switch fixing	Nm	2.5	
	l <sub>bin</sub>	22.1	
Contact terminals	Nm	0.8	
	l <sub>bin</sub>	7	
Body lid screw fixing	Nm	0.8	
	l <sub>bin</sub>	7	
<b>Conductor section</b>			
AWG/Kcmil	max	14	
IEC	min	mm <sup>2</sup>	1 or 2
	max	mm <sup>2</sup>	2.5
Cable connection	Self-releasing screw terminal		
Cable entry	PG11		
Weight	g	92	
<b>Ambient conditions</b>			

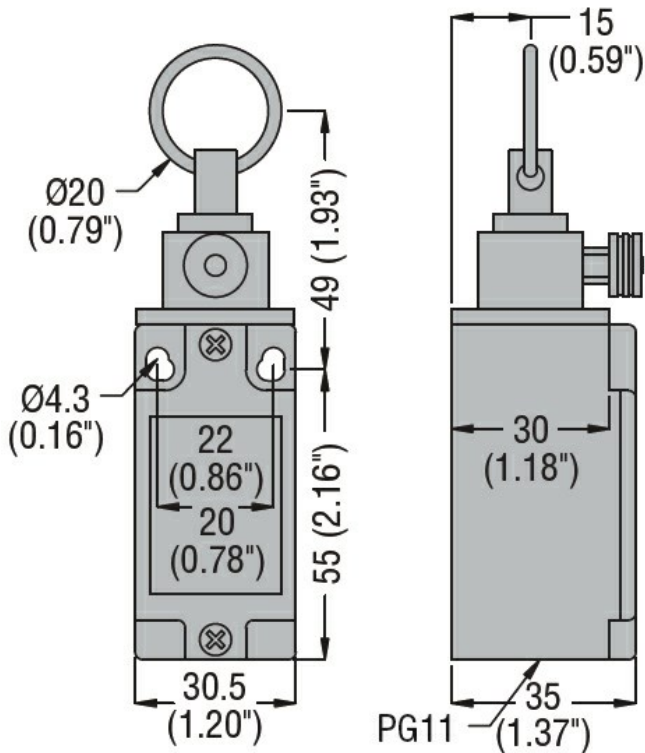
Pollution degree 3

Temperature

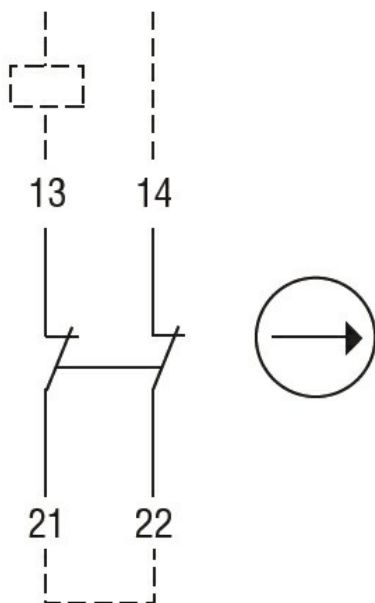
Operating temperature	min	°C	-25
	max	°C	+70

Storage temperature	min	°C	-40
	max	°C	+70

**Dimensions**



**Wiring diagrams**



**Certifications and compliance**

Compliance

CSA C22.2 n° 14

IEC/EN 60204-1

IEC/EN 60947-1

IEC/EN 60947-5-1

ISO 13850; UL508

Certificates

cULus

EAC

ETIM classification

ETIM 8.0

EC000030 - End  
switch